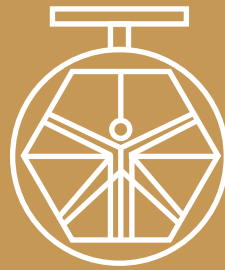


**GROUP 500  
AUTOMATIC  
CONTROL  
VALVES MOD.  
502A/98**



**DAVINCI  
VALVES™**

# TECHNICAL DATA SHEET

## WATER Series

**AIR RELIEF VALVES SINGLE BALL  
FLANGED END TRIPLE FUNCTION**

**DAVINCI  
VALVES™**



**QUALITY  
ASSUREMENT**

**DAVINCI  
VALVES™**



**PRODUCT QT  
ASSUREMENT**

**DAVINCI  
VALVES™**



**COMPANY QT  
ASSUREMENT**

[www.davincivalves.com](http://www.davincivalves.com)

18 Dongyu Street, Square One,  
11th Floor 1101, Jinjiang District,  
Chengdu, Sichuan CHINA

10F/Tower A, Billion Center,  
1 Wang Kwong Road, Kowloon Bay  
Kowloon HONG KONG

## AIR RELIEF VALVE SINGLE BALL TRIPLE FUCTION PN10/16/25 ref.502A / PN 10-16-ANSI150#

### APPLICATION:

Potable water distribution and pumping,  
irrigation

### STANDARDS:

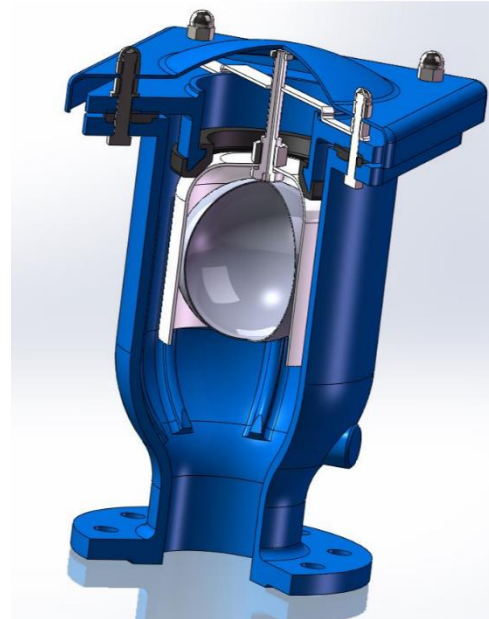
Hydrostatic test according to EN 12266-1, class A.  
EC directive  
Construction according to EN 1074-4 and AWWA C512  
Flanged according to ISO 7005-2

### WORKING CONDITIONS:

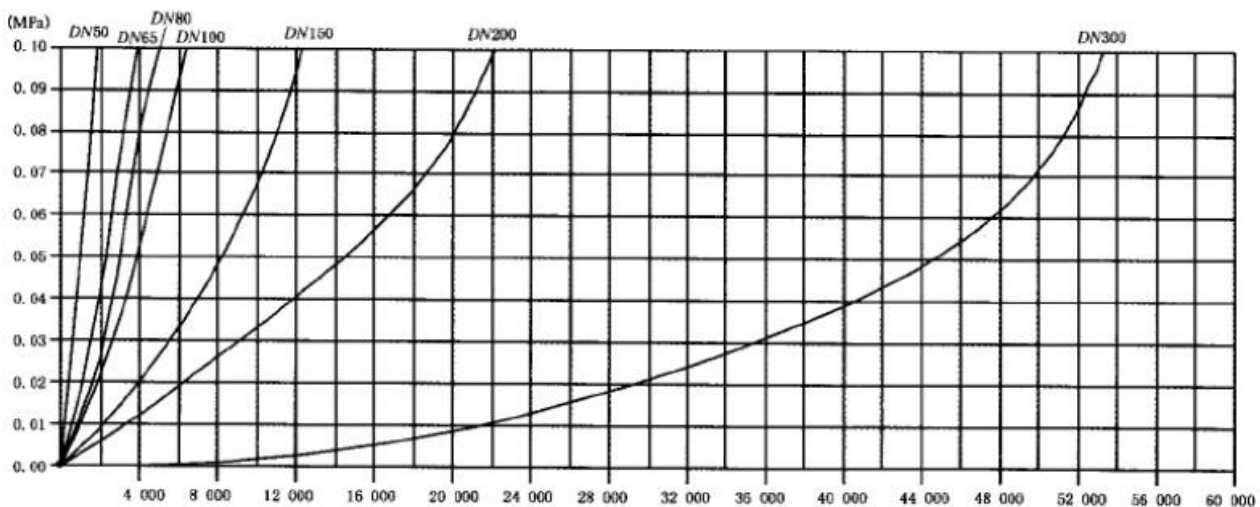
Pressure Ratings: 1.0Mpa; 1.6Mpa; 2.5Mpa  
Working Temperature: -10C +100C  
Suitable Media: Water  
End connection: PN 10/ PN 16/ PN 25  
Consult Factory for other applications

### GENERAL CHARACTERISTICS:

Range from ND50 up to ND300  
WRAS certificate for Drinking Water (Rubber and paint)  
Epoxy paint cured 250 microns



## Full Bore DN050-100 Reduce bore DN150-DN300

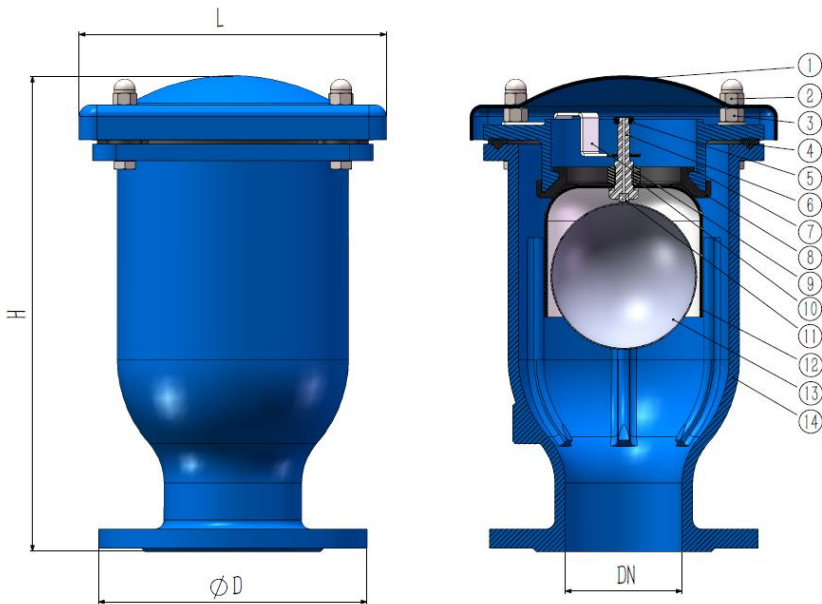


All the components can be substituted with equivalent or higher-class materials.

DAVINCI VALVES LTD, is constantly looking at all ways of improving our products and services related to the water, fire and industry sector and therefore we reserve the right to change, without prior notice, any of the data contained here. Please contact our Technical Sales Department for detailed advice.  
© 2018 DAVINCI VALVES LTD.

www.davincivalves.com info@davincivalves.com +34 616553797 / +86 17340168233  
18 Dongyu Street, Square One 11th Floor 1101. Jinjiang District, Chengdu, Sichuan Province, China

## AIR RELIEF VALVE SINGLE BALL TRIPLE FUCTION PN10/16/25 ref.502A / PN 10-16-ANSI150#



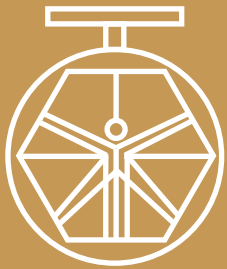
DN	L	H	D
50	175	270	165
65	175	270	185
80	175	260	200
100	263	435	235
150	280	420	300
200	280	420	360

Nº	ITEM	MATERIAL
1	DUST COVER	CARBON STEEL
2	NUT	SS304
3	BOLTS	SS304
4	SEAL RING	EPDM
5	NUT	SS304
6	VENT BODY	SS304
7	COVER	GGG40
8	GASKET	EPDM
9	BRACKET	SS304
10	NUT	SS304
11	VENT SEAT	EPDM
12	VENT COVER	SS304
13	FLOAT	SS304
14	BODY	GGG40

All the components can be substituted with equivalent or higher-class materials.

DAVINCI VALVES LTD, is constantly looking at all ways of improving our products and services related to the water, fire and industry sector and therefore we reserve the right to change, without prior notice, any of the data contained here. Please contact our Technical Sales Department for detailed advice.  
© 2018 DAVINCI VALVES LTD.

*"For professionals who wants more"*



DAVINCI  
VALVES™