

BIDIRECTIONAL SELF-SEALING KNIFE VALVE

ref.830A / PN 10-16



MODEL: 830

WORKING PRESSURE:

DN50-DN10 16Bar DN125-DN200 10Bar
 DN250-DN400 7Bar DN450-DN500 5Bar
 DN600-DN700 3ar Dn800 2Bar

STANDARDS:

Type: Wafer
 Design: MSS SP-81
 Flange Standard: DIN PN10, PN16, 150LB, JIS 10K, TABLE E/D
 Face to Face: MSS SP-81
 Testing Standard: API-598
 Operation: handwheel, electric, pneumatic, hydraulic, sprocket, electro-hydraulic, gear

GENERAL CHARACTERISTICS:

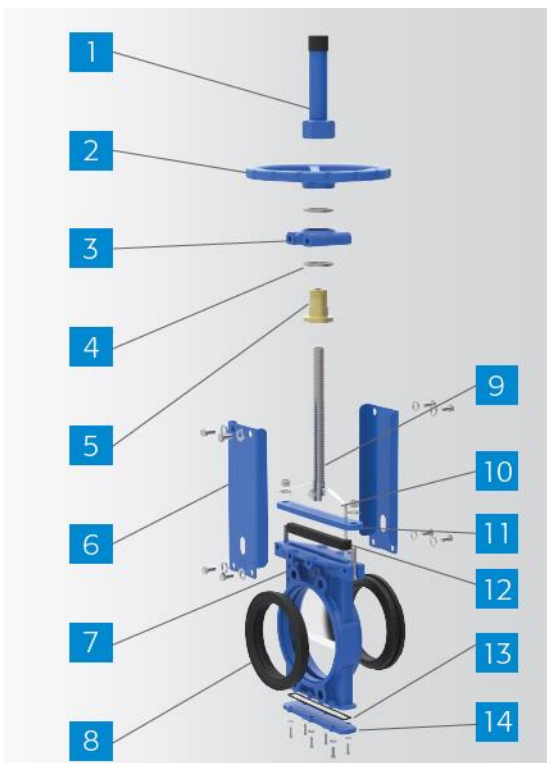
Main Material: GGG40
 Wedge Material: SS316L, SS304
 Sealing Material: NBR, FKM, PU
 Packing: Rubber
 Applicable medium: Applicable to slurry, urban sewage treatment, sugar, powder, paper, medicine, chemicals, food, and other fields

FEATURES:

- ✚ Bi-directional seal
- ✚ Additional seat design
- ✚ Self-sealing design Suitable for a variety of different conditions
- ✚ 2PC Strong yoke design
- ✚ Cleaning hloe design, easy for cleaning body Residual medium
- ✚ Mixed with a variety of materials packing

PRODUCT DESCRIPTION:

830 Series Self-sealing knife gate valve is to use two rubber seats on the clip pressed the knife a sealing effect. When the knife is fully open, the two seat seals combined tightly, the pipeline pressure will make sealing better, while the valve is closed, the gate can be arbitrarily removed convenient maintenance, no need to remove the entire valve repair and does not affect the normal operation of the pipeline. The main characteristics of the valve bore full rubber seal seat, has a strong anti-wear properties and all-pass run off continuity. Suitable for use on those requirements valve wear mining.



No.	Part	Material	QTY
1	Handle Cover	Steel	1
2	Handle Wheel	GGG40	1
3	Yoke Flange	GGG40	1
4	Bearing	Gcr15	2
5	Nut	Brass	N
6	Yoke	Q235	2
7	Body	GGG40	1
8	Seat	NR+Steel	2
9	Stem	SS420/SS304/SS16	1
10	Bolt&Nut	Fe+Zn(Painting)/SS304	N
11	Packing Gland	WCB	1
12	Packing	Rubber	1
13	Packing	Rubber	1
14	Bottom Gland	WCB	1

All the components can be substituted with equivalent or higher-class materials.

DAVINCI VALVES LTD, is constantly looking at all ways of improving our products and services related to the water, fire and industry sector and therefore we reserve the right to change, without prior notice, any of the data contained here. Please contact our Technical Sales Department for detailed advice.

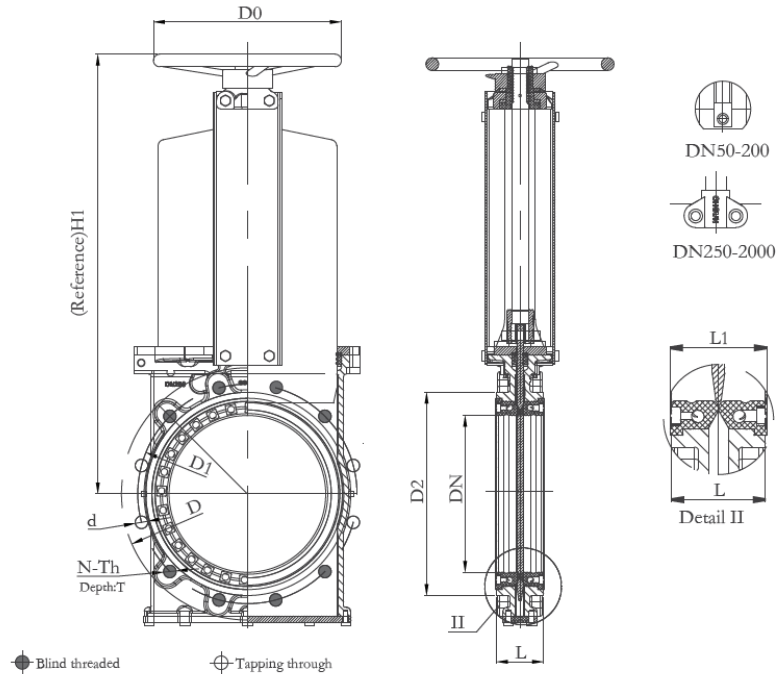
© 2018 DAVINCI VALVES LTD.

www.davincivalves.com info@davincivalves.com +34 616553797 / +86 17340168233

BIDIRECTIONAL SELF-SEALING KNIFE VALVE

ref.830A / PN 10-16

DIMENSION



PN10									ANSI 150LB								
N	L	D	D1	D2	D0	N-Th	d(φ)	H1	DN	L	D	D1	D2	D0	N-Th	d(φ)	H1
50	53	165	125	99	180	4-M16	18	260	2"	53	152	121	92	180	4-5/8"	19	260
65	53	185	145	118	200	4-M16	18	292	2-1/2"	53	178	140	105	200	4-5/8"	19	292
80	56.5	200	160	132	200	8-M16	18	320	3"	56.5	191	153	127	200	4-5/8"	19	320
100	56.5	220	180	156	240	8-M16	18	358	4"	56.5	229	191	157	240	8-5/8"	19	358
125	63	250	210	184	260	8-M20	18	395	5"	63	254	216	186	260	8-3/4"	22	395
150	62	285	240	211	280	8-M20	23	450	6"	62	279	242	216	280	8-3/4"	22	450
200	76.5	340	295	266	300	12-M20	23	532	8"	76.5	343	299	270	300	8-3/4"	22	532
250	75.5	395	350	319	320	12-M20	23	670	10"	75.5	406	362	324	320	12-7/8"	25	670
300	84	445	400	370	350	16-M20	23	758	12"	84	483	432	381	350	12-7/8"	25	758
350	84	505	460	429	400	16-M24	23	857	14"	84	533	476	413	400	12-1"	29	857
400	99	565	515	480	450	16-M20	27	946	16"	99	597	540	470	450	16-1"	29	946
450	99	615	565	530	500	16-M24	27	1023	18"	99	635	578	533	500	16-1 1/8"	32	1023
500	129	670	620	582	500	20-M24	27	Gear	20"	129	699	635	584	500	20-1 1/8"	32	Gear
550	129	725	680	638		20-M27	30	Gear	22"	129	750	692	641		20-1 1/4"	35	Gear
600	129	780	725	682		20-M27	30	Gear	24"	129	813	750	691		20-1 1/4"	35	Gear
700	142	895	840	794		24-M27	30	Gear	28"	142	927	864	800		28-1 1/4"	35	Gear
800	142	1015	950	901		24-M30	33	Gear	32"	142	1060	978	914		28-1 1/2"	41	Gear

All the components can be substituted with equivalent or higher-class materials.

DAVINCI VALVES LTD, is constantly looking at all ways of improving our products and services related to the water, fire and industry sector and therefore we reserve the right to change, without prior notice, any of the data contained here. Please contact our Technical Sales Department for detailed advice.

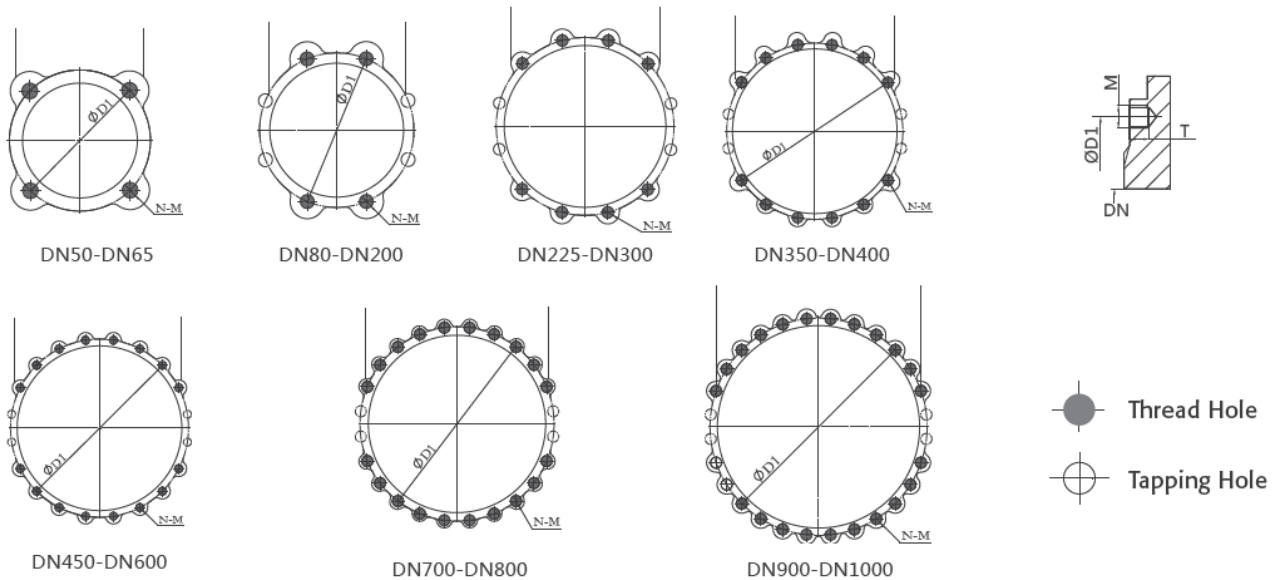
© 2018 DAVINCI VALVES LTD.

www.davincivalves.com info@davincivalves.com +34 616553797 / +86 17340168233

BIDIRECTIONAL SELF-SEALING KNIFE VALVE

ref.830A / PN 10-16

PN10 Wafer Flange Threaded and Tapping Hole



PN10						
DN	D1	N	M	T	Thread Hole	Tapping Hole
50	125	4	16	13	2	2
65	145	4	16	13	2	2
80	160	8	16	13	2	6
100	180	8	16	13	2	6
125	210	8	16	16	2	6
150	240	8	16	16	2	6
200	295	8	16	20	2	6
225	310	12	20	20	4	8
250	350	12	20	20	4	8
300	400	12	20	20	4	8
350	460	16	20	20	8	8
400	515	16	24	24	8	8
450	565	20	24	24	16	4
500	620	20	24	24	16	4
550	680	20	27	24	16	4
600	725	20	27	27	16	4
700	840	24	27	27	20	4
800	950	24	30	30	20	4
900	1050	28	30	30	24	4
1000	1160	28	33	33	24	4

All the components can be substituted with equivalent or higher-class materials.

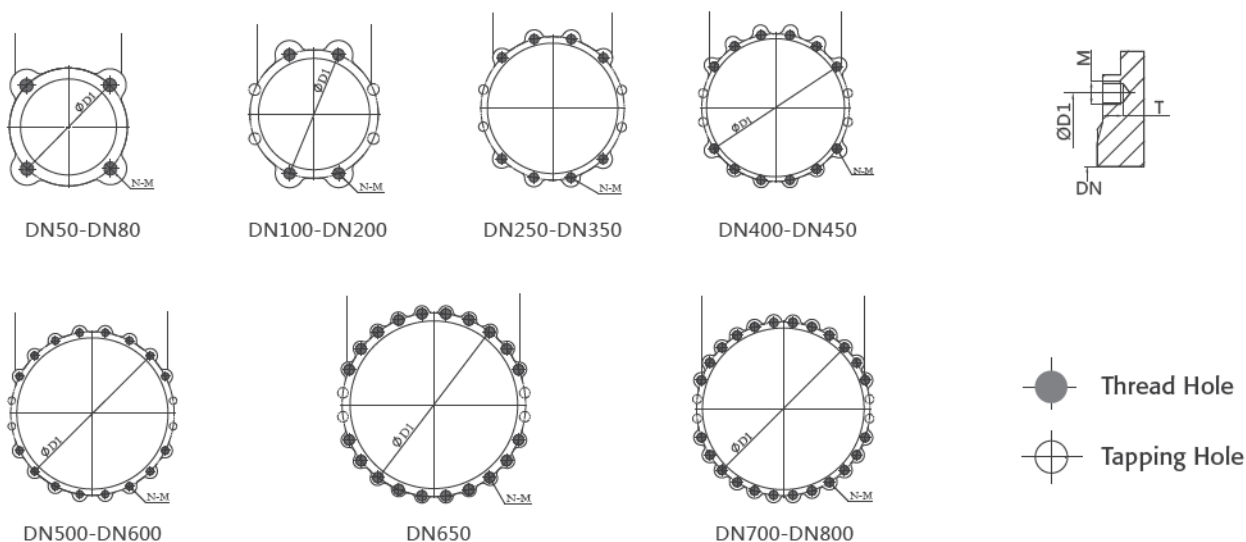
DAVINCI VALVES LTD, is constantly looking at all ways of improving our products and services related to the water, fire and industry sector and therefore we reserve the right to change, without prior notice, any of the data contained here. Please contact our Technical Sales Department for detailed advice.
© 2018 DAVINCI VALVES LTD.

www.davincivalves.com info@davincivalves.com +34 616553797 / +86 17340168233

BIDIRECTIONAL SELF-SEALING KNIFE VALVE

ref.830A / PN 10-16

PN10 Wafer Flange Threaded and Tapping Hole



ANSI 150LB						
DN	D1	N	M	T	Thread Hole	Tapping Hole
2"	121	4	M5/8-11	13	4	0
2-1/2"	140	4	M5/8-11	13	4	0
3"	153	4	M5/8-11	13	4	0
4"	191	8	M5/8-11	13	4	4
5"	216	8	M3/4-10	16	4	4
6"	242	8	M3/4-10	16	4	4
8"	299	8	M3/4-10	20	4	4
10"	362	12	M7/8-9	20	8	4
12"	432	12	M7/8-9	20	8	4
14"	476	12	M1-8	20	8	4
16"	540	16	M1-8	24	12	4
18"	578	16	M1 1/8-7	24	12	4
20"	635	20	M1 1/8-7	24	16	4
22"	692	20	M1 1/4-7	24	16	4
24"	750	20	M1 1/4-7	27	16	4
26"	806	24	M1 1/4-7	27	20	4
28"	864	28	M1 1/4-7	27	24	4
30"	914	28	M1 1/4-7	27	24	4
32"	978	28	M1 1/2-6	30	24	4

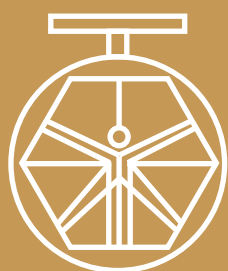
All the components can be substituted with equivalent or higher-class materials.

DAVINCI VALVES LTD, is constantly looking at all ways of improving our products and services related to the water, fire and industry sector and therefore we reserve the right to change, without prior notice, any of the data contained here. Please contact our Technical Sales Department for detailed advice.

© 2018 DAVINCI VALVES LTD.

www.davincivalves.com info@davincivalves.com +34 616553797 / +86 17340168233

"For professionals who wants more"



DAVINCI
VALVES™