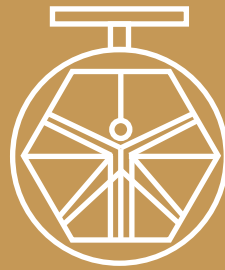


**GROUP 700
BALL VALVE
MOD.
742A/132**



**DAVINCI
VALVES™**

TECHNICAL DATA SHEET

WATER Series

**COMPRESSION BALL VALVE BRASS PE
ENDS**

**DAVINCI
VALVES™**



**QUALITY
ASSUREMENT**

**DAVINCI
VALVES™**



**PRODUCT QT
ASSUREMENT**

**DAVINCI
VALVES™**



**COMPANY QT
ASSUREMENT**

www.davincivalves.com

18 Dongyu Street, Square One,
11th Floor 1101, Jinjiang District,
Chengdu, Sichuan CHINA

10F/Tower A, Billion Center,
1 Wang Kwong Road, Kowloon Bay
Kowloon HONG KONG

COMPRESSION BALL VALVE BRASS 600WOG PE ENDS

Ref.741A

APPLICATION:

water distribution, sewage, irrigation

WORKING CONDITIONS:

Pressure Ratings: 600 WOG

Working Temperature: 0 °C +40°C (up to 80°C by change o-rings

Suitable Media: Water Oil Gas

GENERAL CHARACTERISTICS:

Dezincification resistant brass

Gland follower and single o-ring stem design

Blow-out proof stem

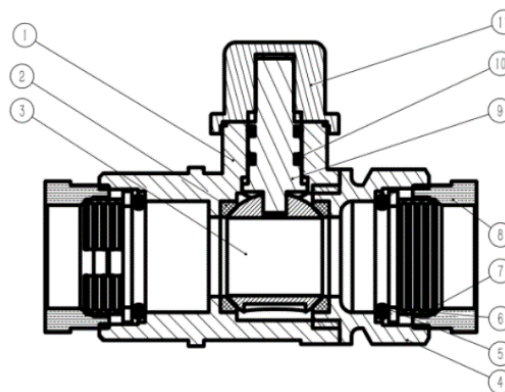
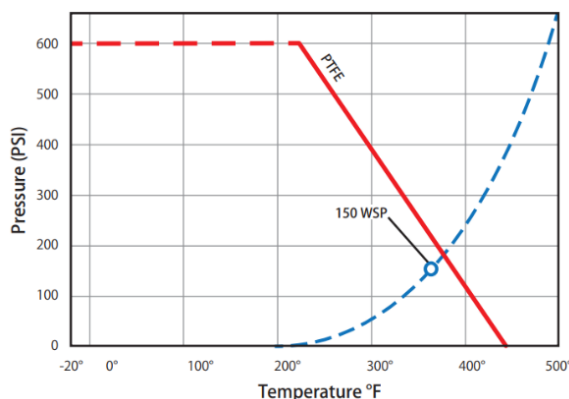
Drain feature prevents freeze-up

Eliminates seat damage during soldering

Compression ends for easy maintenance

100% leak tested

Wetted surfaces contain less than .25% lead



ITEM	DESIGNATION	QTY	MATERIAL
1	Body	1	Brass
2	Seating	2	NBR
3	Ball	1	Brass
4	Cover	1	Brass
5	O Ring	2	Brass
6	Block Ring	2	Brass
7	Counter Ring	2	EPDM
8	Lock Nut	2	Brass
9	Stem	1	Brass
10	Stem O ring	2	NBR
11	Cap	1	Brass

ND	Length	PE OD	CAP SIZE
3/4"	20	58	57
1"	25	68,5	68
1.1/4"	32	80	74
1.1/2"	38	90,5	85

All the components can be substituted with equivalent or higher-class materials.

DAVINCI VALVES LTD, is constantly looking at all ways of improving our products and services related to the water, fire and industry sector and therefore we reserve the right to change, without prior notice, any of the data contained here. Please contact our Technical Sales Department for detailed advice.

© 2018 DAVINCI VALVES LTD.

www.davincivalves.com info@davincivalves.com +34 616553797 / +86 17340168233

"For professionals who wants more"



DAVINCI
VALVES™