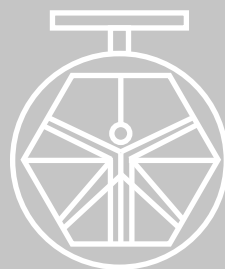


GROUP 500
AUTOMATIC
CONTROL
VALVES MOD.
50 %

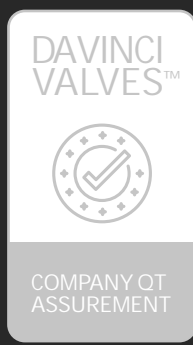
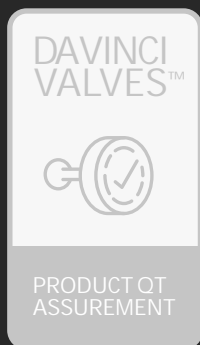
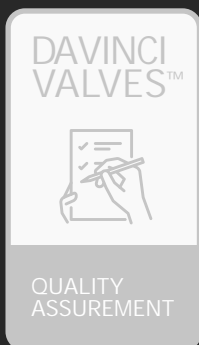


DAVINCI
VALVES™

TECHNICAL DATA SHEET

WATER Series

AIR RELIEF VALVES 6 : \$: \$5
FLANGED END TRIPLE FUNCTION



www.davincivalves.com

18 Dongyu Street, Square One,
11th Floor 1101, Jinjiang District,
Chengdu, Sichuan CHINA

10F/Tower A, Billion Center,
1 Wang Kwong Road, Kowloon Bay
Kowloon HONG KONG

AIR RELIEF VALVE TRIPLE FUNCTION SEWAGE WATER ref.505B / PN 10-16-ANSI150#

Features:

Advanced design with simple mechanism, strong float to prevent cracking during sudden water hammer & quick closure.

Aerokinetic mechanism to resist blow shut under higher air velocity even up to sonic velocity of air.

With special fat body design to lower the sewage water flow speed, and let the air out but keep sewage water underneath.

Keep dirty or corrosive liquid inside the body for safety during operation and no harm to human & surrounding environment.

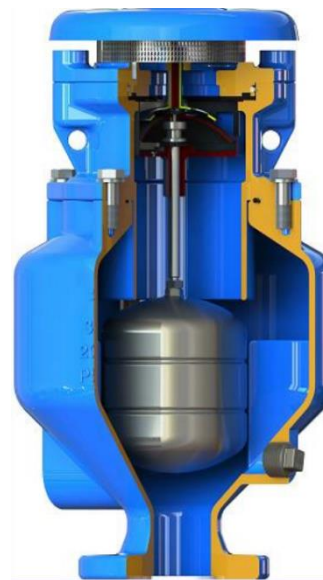
Internal body guide and upper round wall keep float moving on its rail and keep liquid turbulence flow within this area.

Much bigger air flow through the nozzle even for higher viscosity liquid.

Outside screen will be an option for safety and prevent insects or birds in.

Fully fusion epoxy coated inside and outside of valve body for long term services.

Manufacturing standard meets BS EN 1074-4, AWWA C512. Flange drilling and dimension meets BS EN 1092 and ANSI flange.



All the components can be substituted with equivalent or higher-class materials.

DAVINCI VALVES LTD, is constantly looking at all ways of improving our products and services related to the water, fire and industry sector and therefore we reserve the right to change, without prior notice, any of the data contained here. Please contact our Technical Sales Department for detailed advice.
© 2018 DAVINCI VALVES LTD.

www.davincivalves.com info@davincivalves.com +34 616553797 / +86 17340168233
18 Dongyu Street, Square One 11th Floor 1101. Jinjiang District, Chengdu, Sichuan Province, China

AIR RELIEF VALVE TRIPLE FUNCTION SEWAGE WATER

ref.505B / PN 10-16-ANSI150#

-Sewage combination air release valve

Provides 3 functions:

- Large air release during filling of the pipeline.
- Small air venting under pressurized pipeline.
- Large air intake during draining of the pipeline.

APPLICATION:

For sewage water system.

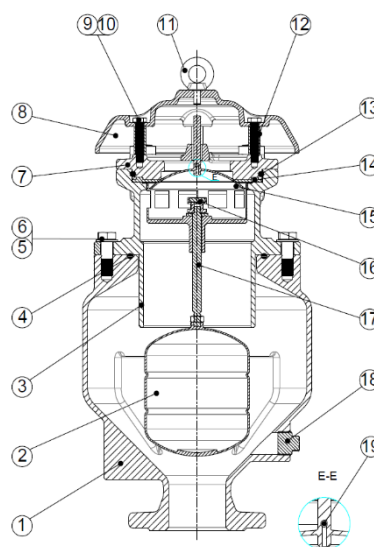
TECHNICAL INFORMATION:

Size range: DN 50-200MM

Pressure ratings:1.0Mpa,1.6Mp (Flange) Working temperature: -10°-80°C.

Flow media: sewage water.

Please consult factory for PN25 and anti-shock device whenever there is water hammer issue.



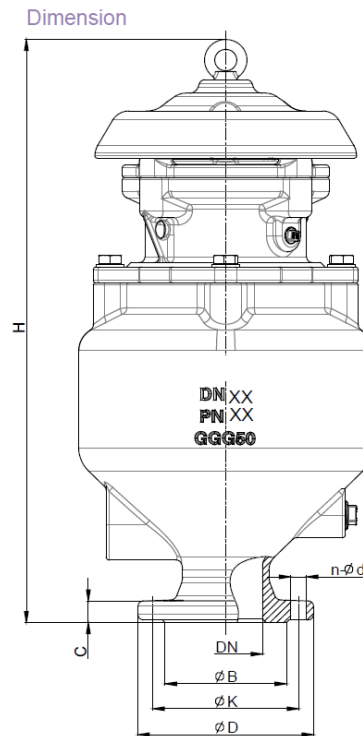
No.	Part	Material	Standard
1	Body	Ductile Iron	EN GJS 500-7
2	Float	Stainless Steel	AISI 316L
3	Middle Part	Ductile Iron	EN GJS 500-7
4	O-Ring	Rubber	NBR
5	Hex Bolt	Stainless Steel	AISI 316
6	Washer	Stainless Steel	AISI 316
7	Bonnet	Ductile Iron	EN GJS 500-7
8	Cover	Ductile Iron	EN GJS 500-7
9	Washer	Stainless Steel	AISI 316
10	Hex Bolt	Stainless Steel	AISI 316
11	Eyebolt	Carbon Steel	AISI 316
12	Pillar	Aluminum	Commercial
13	O-Ring	Rubber	NBR
14	Seat	Rubber	NBR
15	Sealing Arc	Stainless Steel	AISI 316
16	Orifice Seat	Rubber	NBR
17	Stem	Stainless Steel	AISI 316
18	Plug-Option	Stainless Steel	AISI 316
19	Small Orifice	Stainless Steel	AISI 316

All the components can be substituted with equivalent or higher-class materials.

DAVINCI VALVES LTD, is constantly looking at all ways of improving our products and services related to the water, fire and industry sector and therefore we reserve the right to change, without prior notice, any of the data contained here. Please contact our Technical Sales Department for detailed advice.
© 2018 DAVINCI VALVES LTD.

AIR RELIEF VALVE TRIPLE FUCTION SEWAGE WATER

ref.505B / PN 10-16-ANSI150#



DN	Model N.	H	ØD		ØK		Øb		n-Ød		C
			PN10	PN16	PN10	PN16	PN10	PN16	PN10	PN16	
50	SKAR-0050	558	165		125		99		4-19		19
80	SKAR-0080	653	200		160		132		8-19		19
100	SKAR-00100	676	220		180		156		8-19		19
150	SKAR-00150	810	285		240		211		8-23		19
200	SKAR-00200	950	340		295		266		8-23	12-23	20

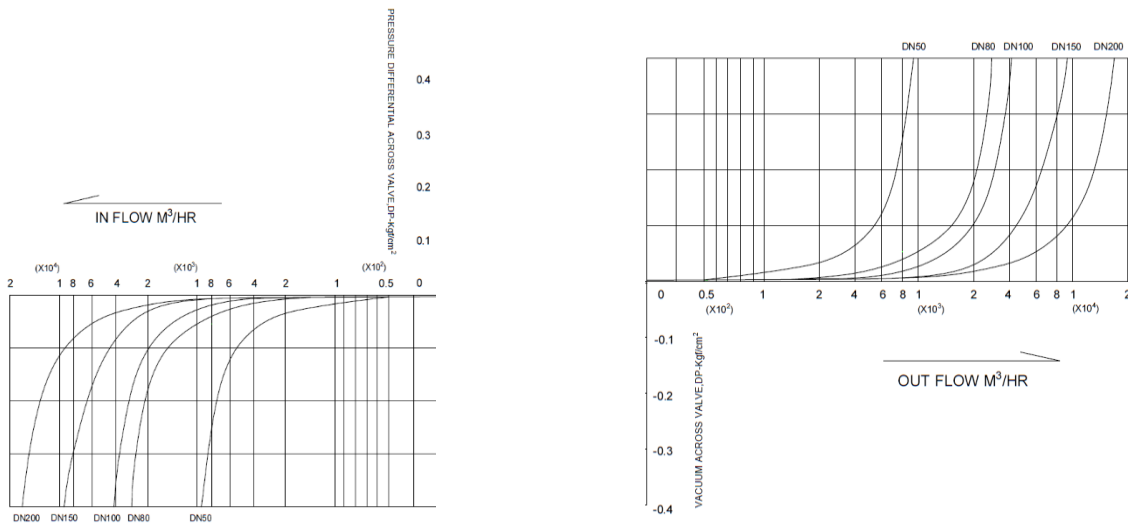
All the components can be substituted with equivalent or higher-class materials.

DAVINCI VALVES LTD, is constantly looking at all ways of improving our products and services related to the water, fire and industry sector and therefore we reserve the right to change, without prior notice, any of the data contained here. Please contact our Technical Sales Department for detailed advice.
© 2018 DAVINCI VALVES LTD.

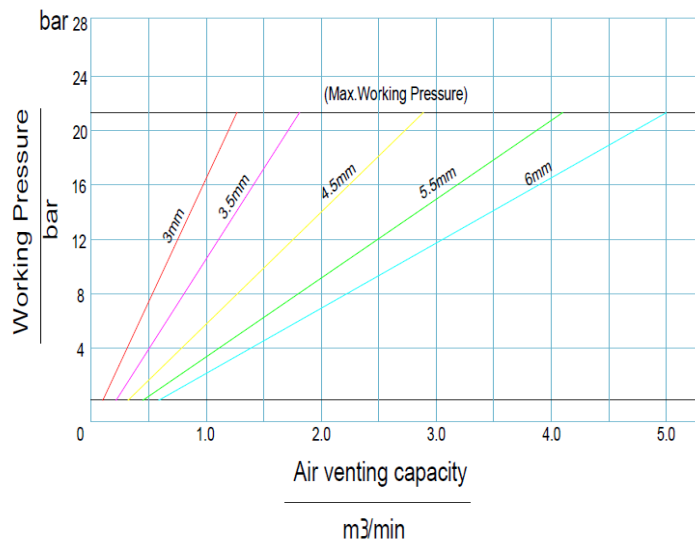
www.davincivalves.com info@davincivalves.com +34 616553797 / +86 17340168233
18 Dongyu Street, Square One 11th Floor 1101. Jinjiang District, Chengdu, Sichuan Province, China

AIR RELIEF VALVE TRIPLE FUCTION SEWAGE WATER ref.505B / PN 10-16-ANSI150#

BIG NOZZLE EXHAUSTING / INTAKE



Combination Air Release Valve air venting capacity



All the components can be substituted with equivalent or higher-class materials.

DAVINCI VALVES LTD, is constantly looking at all ways of improving our products and services related to the water, fire and industry sector and therefore we reserve the right to change, without prior notice, any of the data contained here. Please contact our Technical Sales Department for detailed advice.
© 2018 DAVINCI VALVES LTD.

www.davincivalves.com info@davincivalves.com +34 616553797 / +86 17340168233
18 Dongyu Street, Square One 11th Floor 1101. Jinjiang District, Chengdu, Sichuan Province, China

"For professionals who wants more"



DAVINCI
VALVES™