

**GROUP 200  
GATE VALVES  
MOD. 200D/09**



**DAVINCI  
VALVES™**

**TECHNICAL  
DATA SHEET**

**WATER Series**

**RESILIENT SEAT GATE VALVES  
NON RISING STEM PE ENDS**

**DAVINCI  
VALVES™**



**QUALITY  
ASSUREMENT**

**DAVINCI  
VALVES™**



**PRODUCT QT  
ASSUREMENT**

**DAVINCI  
VALVES™**



**COMPANY QT  
ASSUREMENT**

[www.davincivalves.com](http://www.davincivalves.com)

18 Dongyu Street, Square One,  
11th Floor 1101, Jinjiang District,  
Chengdu, Sichuan CHINA

10F/Tower A, Billion Center,  
1 Wang Kwong Road, Kowloon Bay  
Kowloon HONG KONG

## RESILIENT SEAT GATE VALVE NON-RISING STEM WITH PE CONNECTION PIPES

### APPLICATION:

Potable water distribution and pumping,  
sewage, irrigation

### STANDARDS:

Design: DIN 3352.

Manufacture according to: EN 1074-2.

Ends for PE pipes

Pressure Test: EN 12266-1 Rate A.Body: 24 bars. Seat: 17,6 bars.

### GENERAL CHARACTERISTICS:

Range from ND50 up to ND300.

WRAS certificate for Drinking Water

Complies according the norm EN 1074-2

100% Tightness in both ways.

Repackable under pipeline pressure.

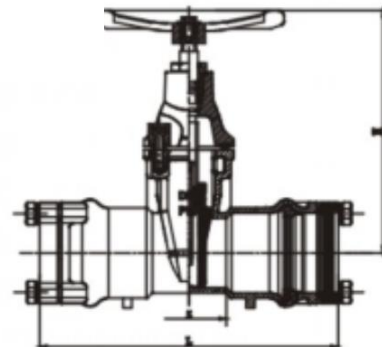
Epoxy paint 250 microns: RAL 5015.

### WORKING CONDITIONS:

Pressure Ratings: 1.0Mpa; 1.6Mpa;

Working Temperature: -10C +100C

Suitable Media: Water



ITEM	MATERIAL
BODY	QT500-7
GATE	QT500-7/EPDM
NUT	ZCuZn38
SHAFT	2Cr13
GASKET	EPDM
BONNET	QT500-7
ORING	EPDM
PACKING	PTFE
O-RINGS	EPDM
SHAFT-NET O-RINGS	NBR
O-RINGS	EPDM
DUST COVER	NBR
GLAND NUT	HPb59-1
BOLTS	A2
DUST PROTECTOR	NBR

ND	H	L
40/50	85	210
50/63	85	220
60/75	90	250
80/90	99	280
100/110	114	325
125/125	114	365
125/140	125	365
150/160	140	405
150/180	150	405
200/200	150	500
200/225	170	500
250/250	160	595
300/315	180	680

All the components can be substituted with equivalent or higher-class materials.

DAVINCI VALVES LTD, is constantly looking at all ways of improving our products and services related to the water, fire and industry sector and therefore we reserve the right to change, without prior notice, any of the data contained here. Please contact our Technical Sales Department for detailed advice.

© 2018 DAVINCI VALVES LTD.

www.davincivalves.com info@davincivalves.com +34 616553797 / +86 17340168233  
18 Dongyu Street, Square One 11th Floor 1101. Jinjiang District, Chengdu, Sichuan Province, China

*"For professionals who wants more"*



DAVINCI  
VALVES™