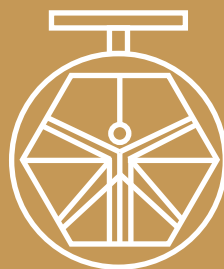


**GROUP 200
GATE VALVES
MOD. 200C/11**



**DAVINCI
VALVES™**

TECHNICAL DATA SHEET

WATER Series

**RESILIENT SEAT GATE VALVES
NON RISING STEM FLANGED END**

**DAVINCI
VALVES™**



**QUALITY
ASSUREMENT**

**DAVINCI
VALVES™**



**PRODUCT QT
ASSUREMENT**

**DAVINCI
VALVES™**



**COMPANY QT
ASSUREMENT**

www.davincivalves.com

18 Dongyu Street, Square One,
11th Floor 1101, Jinjiang District,
Chengdu, Sichuan CHINA

10F/Tower A, Billion Center,
1 Wang Kwong Road, Kowloon Bay
Kowloon HONG KONG

METAL TO METAL GATE VALVE FLANGED END

Ref.200C / PN 10-16

APPLICATION:

Water and sewage hydraulic installations, Industry heating.

GENERAL CHARACTERISTICS:

Range from ND40 up to ND400.
Full bore .
Minimum head loss. Low torque values.
RF flanges

STANDARDS:

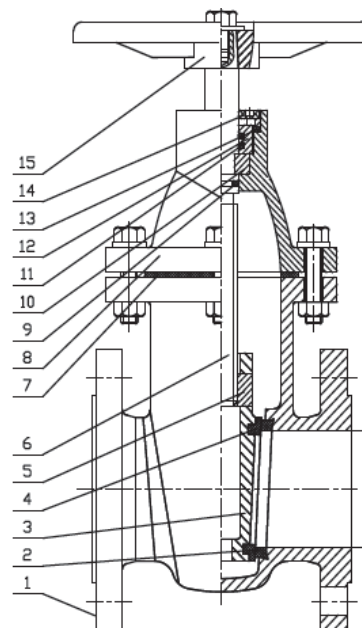
Manufacture according to ISO 9001 2008.
Face to Face : EN 558-1 Series 14/15
Mounting with flanges : PN10 / PN16/PN25 EN 1092-2.
Pressure Test: EN 12266-1 Rate A.
Body : 24 bar. Asiento / Seat : 17,6 bar.



WORKING CONDITIONS:

Maximum Working Pressure : 16 bar.
Metal Seat Working Temperature : - 10 °C / + 90 °C .
Available for higher temperature with PTFE Gaskets <250°C

ITEM	PART	MATERIAL
1	Body	GJS500
2	Body Seat Ring	BRASS/SS304
3	Wedge	GJS500
4	Wedge seat ring	BRASS
5	Stem nut	BRASS
6	Stem nut	AISI 420
7	Gasket	NBR
8	Bonnet	GJS500
9	O-ring	NBR
10	Locating Ring	BRASS
11	O-ring	NBR
12	Bonnet nut	BRASS
13	Minipad	PTFE
14	Dust ring	NBR
15	Hand wheel	GJS500



All the components can be substituted with equivalent or higher-class materials.

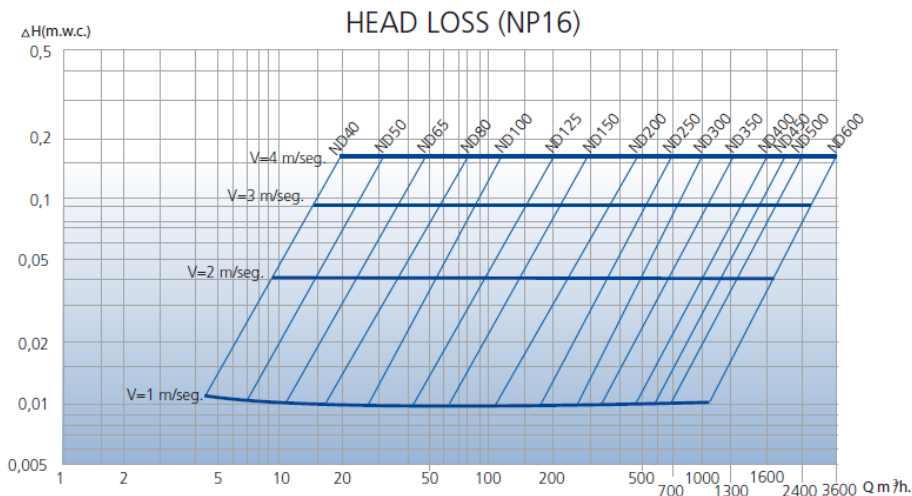
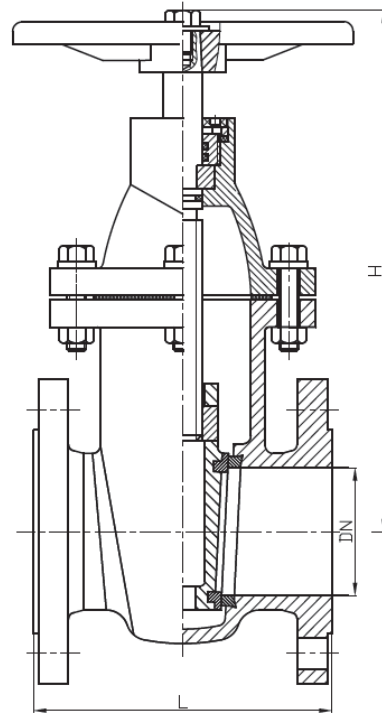
DAVINCI VALVES LTD, is constantly looking at all ways of improving our products and services related to the water, fire and industry sector and therefore we reserve the right to change, without prior notice, any of the data contained here. Please contact our Technical Sales Department for detailed advice.
© 2018 DAVINCI VALVES LTD.

www.davincivalves.com info@davincivalves.com +34 616553797 / +86 17340168233
18 Dongyu Street, Square One 11th Floor 1101. Jinjiang District, Chengdu, Sichuan Province, China

METAL TO METAL GATE VALVE FLANGED END

Ref.200C / PN 10-16

ND	L	H	Weight KG
40	140	214	14
50	150	232	15
65	170	258	18
80	180	281	21
100	190	315	27,5
125	200	358	40
150	210	408	50
200	230	500	79
250	250	572	138
300	270	662	180
350	290	751	190
400	310	832	200



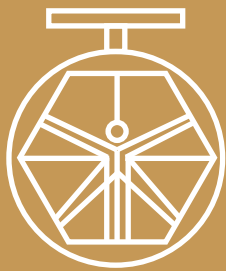
TECHNICAL DATA SHEET

All the components can be substituted with equivalent or higher-class materials.

DAVINCI VALVES LTD, is constantly looking at all ways of improving our products and services related to the water, fire and industry sector and therefore we reserve the right to change, without prior notice, any of the data contained here. Please contact our Technical Sales Department for detailed advice.
© 2018 DAVINCI VALVES LTD.

www.davincivalves.com info@davincivalves.com +34 616553797 / +86 17340168233
18 Dongyu Street, Square One 11th Floor 1101. Jinjiang District, Chengdu, Sichuan Province, China

"For professionals who wants more"



DAVINCI
VALVES™

www.davincivalves.com