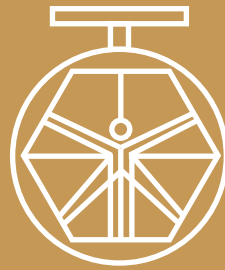


**GROUP 700
BALL VALVES
MOD. 742/43**



**DAVINCI
VALVES™**

**TECHNICAL
DATA SHEET**
INDUSTRY Series

**BALL VALVES
3 PIECE THREADED ENDS**

**DAVINCI
VALVES™**



**QUALITY
ASSUREMENT**

**DAVINCI
VALVES™**



**PRODUCT QT
ASSUREMENT**

**DAVINCI
VALVES™**



**COMPANY QT
ASSUREMENT**

www.davincivalves.com

18 Dongyu Street, Square One,
11th Floor 1101, Jinjiang District,
Chengdu, Sichuan CHINA

10F/Tower A, Billion Center,
1 Wang Kwong Road, Kowloon Bay
Kowloon HONG KONG

3 PIECE BALL VALVE SS316 1000WOG THREAD END

Ref.742A

APPLICATION:

Potable water distribution and pumping,
sewage, irrigation

WORKING CONDITIONS:

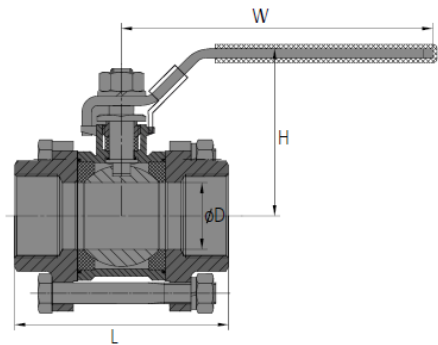
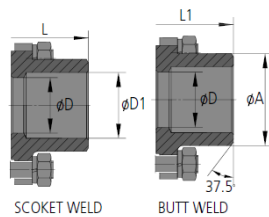
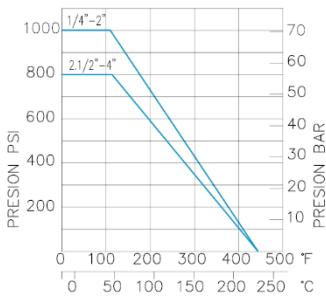
Pressure Ratings: 1000 PSI
Working Temperature: -30°C +250°C
Suitable Media: Water Oil Gas
End connection: Thread end GAS/NPT
Consult Factory for other applications

GENERAL CHARACTERISTICS:

Size Range: 1/4" ~4" Full bore.
100% Tightness in both ways. Block device

STANDARDS:

Pressure Test: API 598, EN 12266
Body: 1000 psi /PN63 WOG
Casting Approved AD2000-WO PED97/23/PE(CE0036) Approved
Thread: ASME B1.20.1 BS21.DIN2999/259, ISO228-1, JIS B 0203, ISO7/1



ITEM	DESIGNATION	QTY	MATERIAL
1	Hand Sleeve	1	PVC
2	Handle	1	304
3	Gland Nut	1	304/316
4	Stem Nut	1	304
5	Stem Washer	1	304
6	Spring Packing	1	PTFE
7	Thrust Washer	1	PTFE
8	End Cap	1	CF8/CF8M
9	Bolt	4(6)	304
10	Nut	4(6)	304
11	Spring Washer	4(6)	304
12	Body	1	CF8/CF8M
13	Ball Seat	2	RPTFE
14	Ball	1	CF8/CF8M
15	Stem	1	304/316
16	Locking Device	1	304

SIZE\ITEM	D	L	H	W
1/4"	11	50	48	48
3/8"	12	50	48	48
1/2"	15	60	52	52
3/4"	20	70	61	61
1"	25	80	65	65
1.1/4"	32	93	79	79
1.1/2"	38	100	83	83
2"	50	125	97	97
2.1/2"	64	158	135	135
3"	76	179	144	144
4"	94	223	172	172

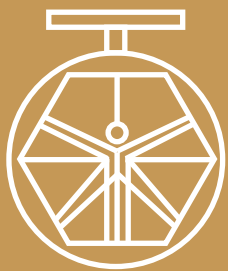
All the components can be substituted with equivalent or higher-class materials.

DAVINCI VALVES LTD, is constantly looking at all ways of improving our products and services related to the water, fire and industry sector and therefore we reserve the right to change, without prior notice, any of the data contained here. Please contact our Technical Sales Department for detailed advice.

© 2018 DAVINCI VALVES LTD.

www.davincivalves.com info@davincivalves.com +34 616553797 / +86 17340168233

"For professionals who wants more"



DAVINCI
VALVES™