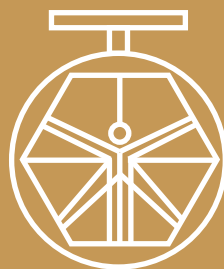


**GROUP 400
CHECK VALVES
MOD. 420/24**



**DAVINCI
VALVES™**

**TECHNICAL
DATA SHEET**

INDUSTRY Series

WAFER SINGLE PLATE CHECK VALVE

**DAVINCI
VALVES™**



**QUALITY
ASSUREMENT**

**DAVINCI
VALVES™**



**PRODUCT QT
ASSUREMENT**

**DAVINCI
VALVES™**



**COMPANY QT
ASSUREMENT**

www.davincivalves.com

18 Dongyu Street, Square One,
11th Floor 1101, Jinjiang District,
Chengdu, Sichuan CHINA

10F/Tower A, Billion Center,
1 Wang Kwong Road, Kowloon Bay
Kowloon HONG KONG

SINGLE PLATE CHECK VALVE WAFER TYPE

Ref.420 / PN 10-16-ANSI150#

APPLICATION:

Suitable for use in Industry, heat /cooling systems and others.

GENERAL CHARACTERISTICS:

Range from ND40 up to ND300 .

Viton O-Ring

Assembling in horizontal & Vertical position ascending flow.

STANDARDS:

Design&manufacture to JB/T 8937-1999

Mounting between flanges : PN10 / PN16/Ansi150 EN 1092-1.

Pressure Test : EN 12266-1, DIN 3230, API598

Manufacture acc. to the requirements of the EU directive 2014/68/EU

Equipment under pressure: Cat. III mod. H

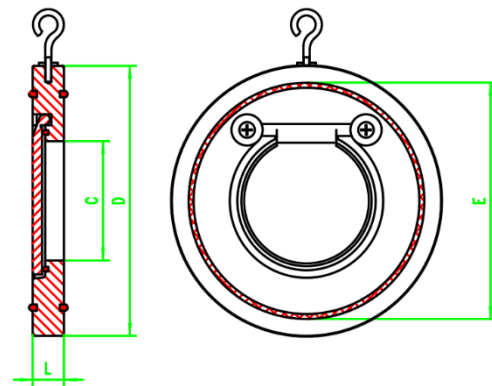
WORKING CONDITIONS:

Maximum Working Pressure: 16 bar.

Max.Working Temperature : -10 °C / +220 °C

Suitable Media: Water, Oil, Gas, others.

Consult Factory for other applications



ITEM	PART	MATERIAL	QTY
1	Body	SS316L	1
2	Disc	SS316L	1
3	O Rings	VITON	3

ND	D	L	d
50	107	17	25
65	127	17	38
80	142	18	46
100	162	18	71
125	192	19	95
150	218	19	114
200	273	29	155
250	329	29	188
300	384	38	216

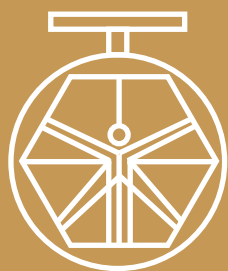
All the components can be substituted with equivalent or higher-class materials.

DAVINCI VALVES LTD, is constantly looking at all ways of improving our products and services related to the water, fire and industry sector and therefore we reserve the right to change, without prior notice, any of the data contained here. Please contact our Technical Sales Department for detailed advice.

© 2018 DAVINCI VALVES LTD.

www.davincivalves.com info@davincivalves.com +34 616553797 / +86 17340168233

"For professionals who wants more"



DAVINCI
VALVES™