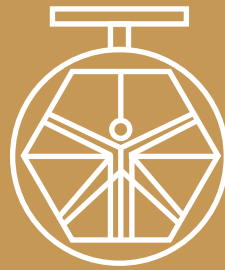


**GROUP 500
AUTOMATIC
CONTROL
VALVES MOD.
501A/97**



**DAVINCI
VALVES™**

**TECHNICAL
DATA SHEET**
WATER Series

**AIR RELIEF VALVES
FLANGED END TRIPLE FUNCTION**

**DAVINCI
VALVES™**



**QUALITY
ASSUREMENT**

**DAVINCI
VALVES™**



**PRODUCT QT
ASSUREMENT**

**DAVINCI
VALVES™**



**COMPANY QT
ASSUREMENT**

www.davincivalves.com

18 Dongyu Street, Square One,
11th Floor 1101, Jinjiang District,
Chengdu, Sichuan CHINA

10F/Tower A, Billion Center,
1 Wang Kwong Road, Kowloon Bay
Kowloon HONG KONG

AIR RELIEF VALVE TRIPLE FUCTION PN10/16/25 ref.501A / PN 10-16-ANSI150#

APPLICATION:

Potable water distribution and pumping,
irrigation

STANDARDS:

Hydrostatic test according to EN 12266-1, class A.
EC directive
Construction according to EN 1074-4 and AWWA C512
Flanged according to ISO 7005-2

WORKING CONDITIONS:

Pressure Ratings: 1.0Mpa; 1.6Mpa; 2.5Mpa
Working Temperature: -10C +100C
Suitable Media: Water
End connection: PN 10/ PN 16/ PN 25
Consult Factory for other applications

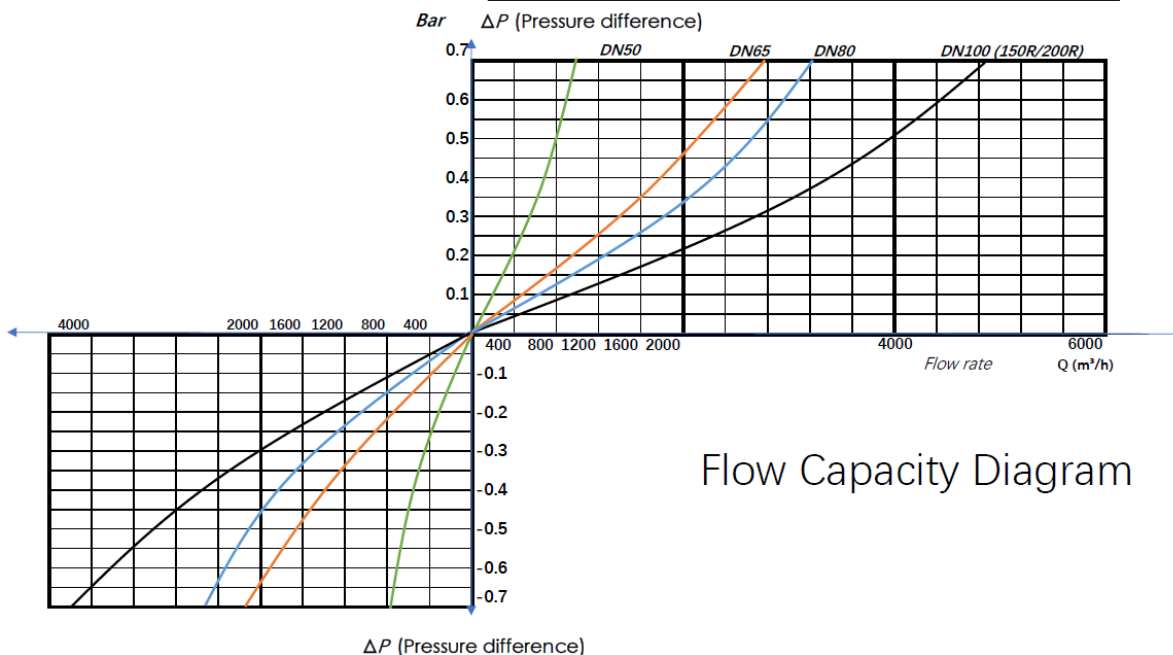
GENERAL CHARACTERISTICS:

Range from ND50 up to ND300
Epoxy paint cured 250 microns



DN	Øorifice (mm)
50	1.6
80	2
100	2.5
150	3
200	4
300	4

Full Bore DN50-100 Reduce bore DN150-200



All the components can be substituted with equivalent or higher-class materials.

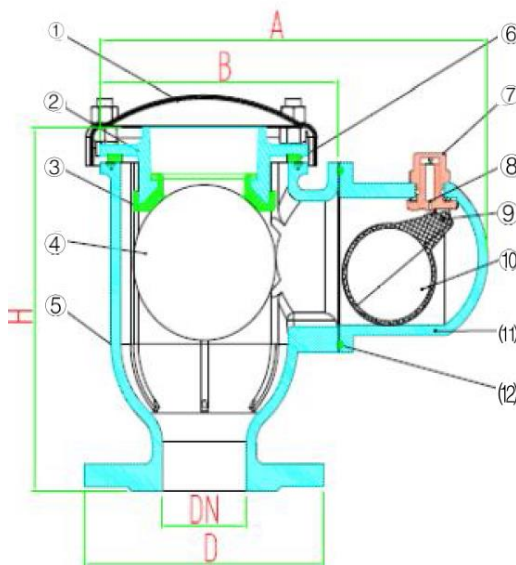
DAVINCI VALVES LTD, is constantly looking at all ways of improving our products and services related to the water, fire and industry sector and therefore we reserve the right to change, without prior notice, any of the data contained here. Please contact our Technical Sales Department for detailed advice.
© 2018 DAVINCI VALVES LTD.

www.davincivalves.com info@davincivalves.com +34 616553797 / +86 17340168233
18 Dongyu Street, Square One 11th Floor 1101. Jinjiang District, Chengdu, Sichuan Province, China

AIR RELIEF VALVE TRIPLE FUCTION PN10/16/25

ref.501A / PN 10-16-ANSI150#

Nº	ITEM	MATERIAL
1	ANTI DUST COVER	CARBON STEEL
2	COVER	GJS400
3	SEALING	EPDM
4	FLOAT	SS304
5	BODY	GJS400
6	BOLTING	A2-70/CARBON STEEL
7	SMALL VENT COVER	BRASS
8	SMALL VENT BODY	BRASS
9	PIN	BRASS
10	SIDE FLOAT	ABS
11	SIDE BODY	GJS400
12	GASKET	EPDM



Full Bore DN050-DN100
Reduce Bore DN150-200

DIMENSIONS

PN16

DN	H	A	B	D	Weight KG
50	285	311	175	165	16.5
65	285	311	175	185	17
80	285	311	175	200	17.5
100	420	415	280	235	32
150	420	415	280	300	34
200	420	415	280	360	38

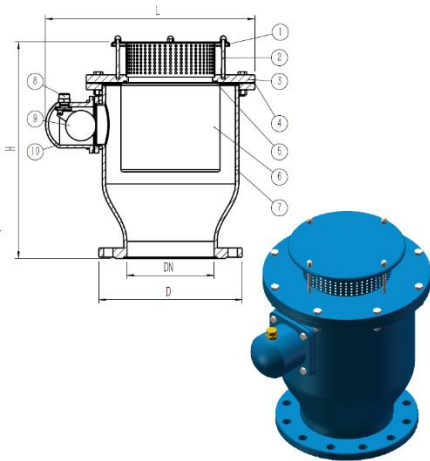
All the components can be substituted with equivalent or higher-class materials.

DAVINCI VALVES LTD, is constantly looking at all ways of improving our products and services related to the water, fire and industry sector and therefore we reserve the right to change, without prior notice, any of the data contained here. Please contact our Technical Sales Department for detailed advice.
© 2018 DAVINCI VALVES LTD.

www.davincivalves.com info@davincivalves.com +34 616553797 / +86 17340168233
18 Dongyu Street, Square One 11th Floor 1101. Jinjiang District, Chengdu, Sichuan Province, China

AIR RELIEF VALVE TRIPLE FUCTION PN10/16/25 ref.501A / PN 10-16-ANSI150#

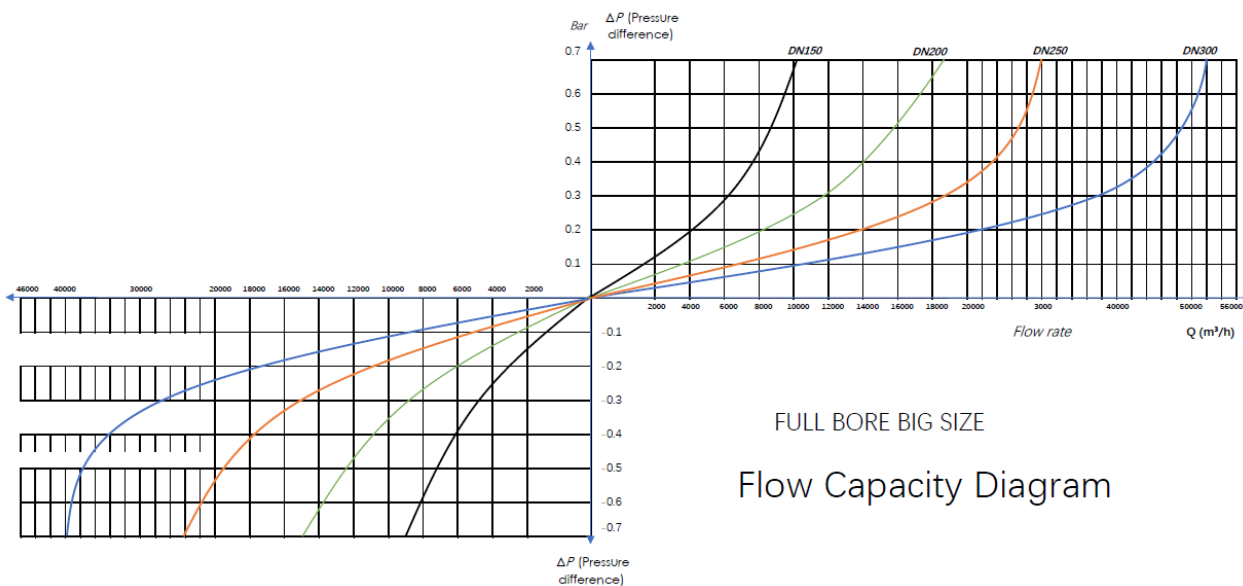
Full Bore DN150-DN300



Nº	ITEM	MATERIAL
1	ANTI DUST COVER	CARBON STEEL
2	DOUBLE END STUDSBM	CARBON STEEL
3	COVER	CARBON STEEL
4	GASKET	EPDM
5	O-RING	NBR
6	FLOAT	PLASTIC
7	BODY	CARBON STEEL
8	ORIFICE COVER	BRASS
9	SIDE FLOAT	PLASTIC
10	SIDE BODY	QT450

DIMENSIONS

DN	L	H	D	WEIGHT (KG)
150	285	311	175	165
200	285	311	175	185
250	285	311	175	200
300	420	415	280	235



All the components can be substituted with equivalent or higher-class materials.

DAVINCI VALVES LTD, is constantly looking at all ways of improving our products and services related to the water, fire and industry sector and therefore we reserve the right to change, without prior notice, any of the data contained here. Please contact our Technical Sales Department for detailed advice.
© 2018 DAVINCI VALVES LTD.

www.davincivalves.com info@davincivalves.com +34 616553797 / +86 17340168233
18 Dongyu Street, Square One 11th Floor 1101. Jinjiang District, Chengdu, Sichuan Province, China

"For professionals who wants more"



DAVINCI
VALVES™