

**GROUP 400
CHECK
VALVES
MOD.
410B/25**



**DAVINCI
VALVES™**

TECHNICAL DATA SHEET

WATER Series

**SWING CHECK VALVES
FLANGED ENDS**

**DAVINCI
VALVES™**



**QUALITY
ASSUREMENT**

**DAVINCI
VALVES™**



**PRODUCT QT
ASSUREMENT**

**DAVINCI
VALVES™**



**COMPANY QT
ASSUREMENT**

www.davincivalves.com

18 Dongyu Street, Square One,
11th Floor 1101, Jinjiang District,
Chengdu, Sichuan CHINA

10F/Tower A, Billion Center,
1 Wang Kwong Road, Kowloon Bay
Kowloon HONG KONG

SWING CHECK VALVE FLANGED END

Ref.410C / PN 10-16

APPLICATION:

General water supply. Fire fighting, HVAC and

GENERAL CHARACTERISTICS:

Range from ND50 up to ND600.

Low head loss. Low noise.

Epoxy paint 250 microns RAL 5015.

STANDARDS:

Face to Face: EN3202-F6

Mounting between flanges: PN10/16 EN 1092-2, ISO 7005-2.

Pressure Test: EN 12266-1 Rate A.

Body: 24 bar. Seat: 17.6 bar.

EU directive 2014/68/EU Equipment's under pressure: Cat. III mod. H.

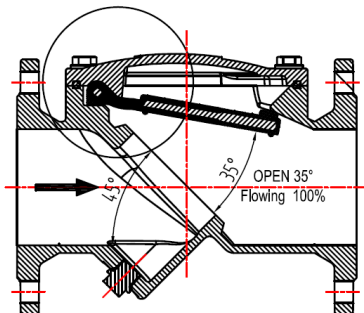
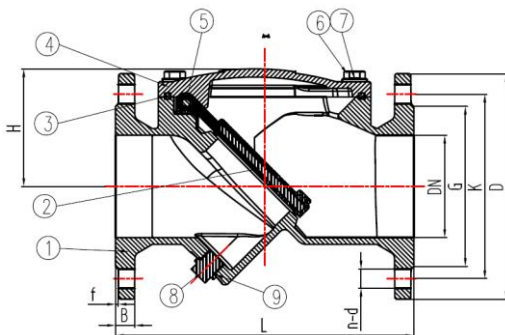
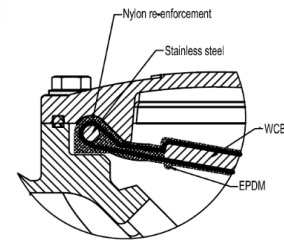
WORKING CONDITIONS:

Maximum Working Pressure: 16 bar.

Working Temperature: - 5 °C / + 90 °C.

Suitable Media: Water

Consult Factory for other applications



| ITEM | PART | MATERIAL |
|-------|---------------|---------------|
| 1 | Body | GJS500 |
| 2 | Flapper | GJS500 + EPDM |
| 3 | Bonnet Gasket | NBR |
| 4 | Bonnet | GJS500 |
| 5 | Pin | 2CR13 |
| 6-7-8 | Fasteners | A2 |
| 9 | O Rings | NBR |

| ND | L | D | K | G | H | Weight KG |
|----------|-----|-----|-----|-----|-----|--------------|
| 050(4") | 200 | 165 | 125 | 99 | 88 | 8 |
| 065(5") | 240 | 185 | 145 | 118 | 100 | 10,2 |
| 080(6") | 260 | 200 | 160 | 132 | 108 | 12,7 |
| 100(4") | 300 | 220 | 180 | 156 | 118 | 19,6 |
| 125(5") | 350 | 250 | 210 | 184 | 150 | 26,8 |
| 150(6") | 400 | 285 | 240 | 211 | 160 | 34,3 |
| 200(8") | 500 | 340 | 295 | 266 | 250 | 69 |
| 250(10") | 600 | 405 | 355 | 319 | 295 | 105 |
| 300(12") | 700 | 460 | 410 | 370 | 330 | 160 |

All the components can be substituted with equivalent or higher-class materials.

DAVINCI VALVES LTD, is constantly looking at all ways of improving our products and services related to the water, fire and industry sector and therefore we reserve the right to change, without prior notice, any of the data contained here. Please contact our Technical Sales Department for detailed advice.
© 2018 DAVINCI VALVES LTD.

"For professionals who wants more"



DAVINCI
VALVES™