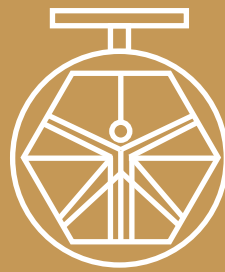


**GROUP 900  
GLOBAL  
VALVES MOD.  
900A/45**



**DAVINCI  
VALVES™**

# **TECHNICAL DATA SHEET**

## **INDUSTRY Series**

**DAVINCI  
VALVES™**



**QUALITY  
ASSUREMENT**

**DAVINCI  
VALVES™**



**PRODUCT QT  
ASSUREMENT**

**DAVINCI  
VALVES™**



**COMPANY QT  
ASSUREMENT**

**GLOBE VALVE PN16 IRON FOR HVAC FLANGED  
END**

[www.davincivalves.com](http://www.davincivalves.com)

18 Dongyu Street, Square One,  
11th Floor 1101, Jinjiang District,  
Chengdu, Sichuan CHINA

10F/Tower A, Billion Center,  
1 Wang Kwong Road, Kowloon Bay  
Kowloon HONG KONG

## GLOBE VALVE PN16 IRON FOR HVAC FLANGED END Ref.900A PN10/16

### APPLICATION:

HVAC

### STANDARDS:

Design: DIN 3352

Manufacture according to: EN 1074-2./GB/T12232-1989

Face to Face: EN 558-1 Serie 1 DIN 3202

Mounting between flanges: PN10/16 EN 1092-2, ISO 7005-2.

Pressure Test: EN 12266-1 Rate A. GB/T13927-1992

Body: 24 bars. Seat: 17,6 bars.

EU directive 2014/68/EU: Products excluded, article 1, § 2b up to ND300. Risk Category I MoD. A from ND350 to ND600

### GENERAL CHARACTERISTICS:

Range from ND40 up to ND300

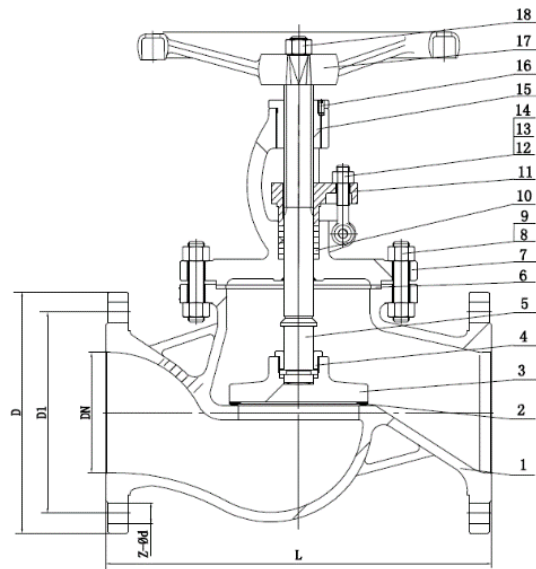
Low torque values.

### WORKING CONDITIONS:

Pressure Ratings: 1.0Mpa; 1.6Mpa;

Working Temperature: -10C +120C

Suitable Media: Water, Air



Nº	ITEM	MATERIAL
1	BODY	QT450-10
2	Sealing surface	brass
3	Disc	QT450-10
4	Disc cover	Carbon steel
5	Stem	2Cr13
6	Bonnet gasket	Flexible graphite clip 304 steel sheet
7	Bonnet	QT450-10
8	Double head stud	45
9	Hexagon nut	35
10	Packing	Flexible graphite
11	Packing gland	QT450-10
12	Cylindrical pin	45
13	Live bolt	45
14	Hexagon nut	35
15	Stem nut	ZCuA110Fe3
16	Set screw	35CrMoA
17	Hand wheel	KTH330-8
18	Hexagon nut	45

DN	L	D	D1	Z-D
40	200	150	110	4-18
50	230	165	125	4-18
65	290	185	145	4-18
80	310	200	160	8-18
100	350	220	180	8-18
125	400	250	210	8-18
150	480	285	240	8-22
200	600	340	295	12-22
250	650	405	355	12-26

All the components can be substituted with equivalent or higher-class materials.

DAVINCI VALVES LTD, is constantly looking at all ways of improving our products and services related to the water, fire and industry sector and therefore we reserve the right to change, without prior notice, any of the data contained here. Please contact our Technical Sales Department for detailed advice.

© 2018 DAVINCI VALVES LTD.

www.davincivalves.com info@davincivalves.com +34 616553797 / +86 17340168233  
18 Dongyu Street, Square One 11th Floor 1101. Jinjiang District, Chengdu, Sichuan Province, China

*"For professionals who wants more"*



DAVINCI  
VALVES™