

AIR RELIEF VALVE TRIPLE FUNCTION PN10/16/25 ref.500A / PN 10-16-ANSI150#

Combination Kinetic Air Release

Valve Provide 3 Functions:

- Large air release during filling of the pipeline.
- Small air release under pressurized pipeline.
- Large air intake during draining of the pipeline.

Features:

- Advanced design with simple mechanism, strong float to prevent cracking during sudden water hammer & quick closure.
- Aerokinetic mechanism to resist blow shut under higher air velocity even up to sonic velocity of air.
- No arms or levers to prevent vibrating, bending, direct closure of the float.
- Smooth cage outside of the float, keep float moving in specified guide rail.
- Bottom rubber buffer for collision prevention and drain easy with proper holes around the cage during vacuum.
- Outside screen will be an option for safety and prevent insects or birds in.
- Fully fusion epoxy coated inside and outside of valve body for long term services.
- Manufacturing standard meets BS EN 1074-4, AWWA C512.
- Flange drilling and dimension meets BS EN 1092 and BS EN 558 and ANSI

Service Fields:

For water system, firefighting, irrigation system.

Technical Data:

- Size range: DN 25-300MM
- Pressure ratings: 1.0Mpa, 1.6Mpa (Thread)
- 1.0Mpa, 1.6Mpa, 2.5 Mpa (Flange)
- Working temperature: -10°-80°C.
- Flow media: clean water



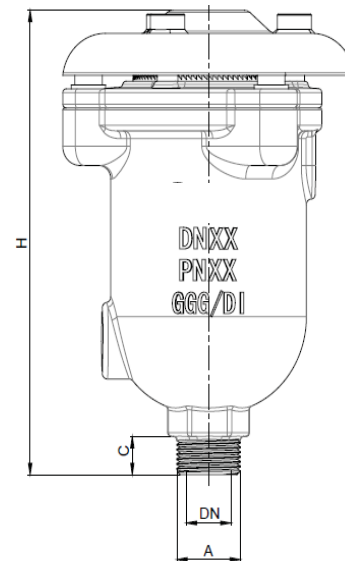
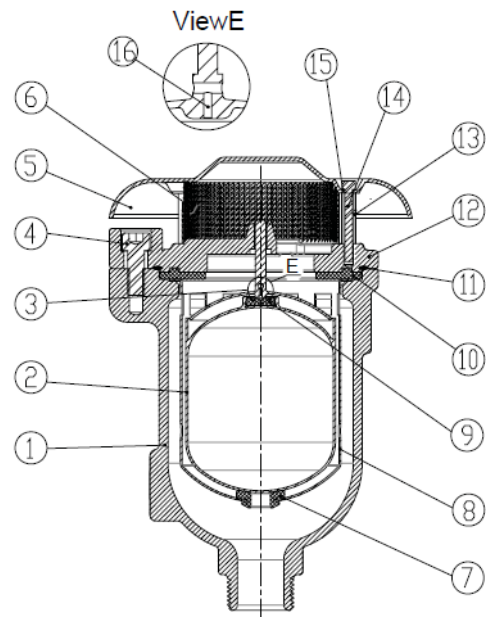
All the components can be substituted with equivalent or higher-class materials.

DAVINCI VALVES LTD, is constantly looking at all ways of improving our products and services related to the water, fire and industry sector and therefore we reserve the right to change, without prior notice, any of the data contained here. Please contact our Technical Sales Department for detailed advice.
© 2018 DAVINCI VALVES LTD.

www.davincivalves.com info@davincivalves.com +34 616553797 / +86 17340168233
18 Dongyu Street, Square One 11th Floor 1101. Jinjiang District, Chengdu, Sichuan Province, China

AIR RELIEF VALVE TRIPLE FUCTION PN10/16/25 ref.500A / PN 10-16-ANSI150#

No.	Part Name	Material	Standrad
1	Body	Ductile Iron	EN GJS 500-7
2	Float	Stainless Steel	AISI 304
3	Sealing Arc	Stainless Steel	AISI 304
4	Hex Bolt	Carbon Steel/ Stainless Steel	Zinc Coated /AISI 304
5	Cover	Carbon Steel	Epoxy Coated
6	Screen	Stainless Steel	AISI 304
7	Buffer	Rubber	NBR/EPDM
8	Guide Barrel	Stainless Steel	AISI 304
9	Nozzle Seat	Rubber	NBR/EPDM
10	Seat	Rubber	NBR/EPDM
11	O-ring	Rubber	NBR/EPDM
12	Bonnet	Ductile Iron	EN GJS 500-7
13	Pillar	Aluminum	Commercial
14	Hex Bolt	Carbon Steel/ Stainless Steel	Zinc Coated /AISI 304
15	Washer	Stainless Steel	AISI 304
16	Small Nozzle	Stainless Steel	AISI 304



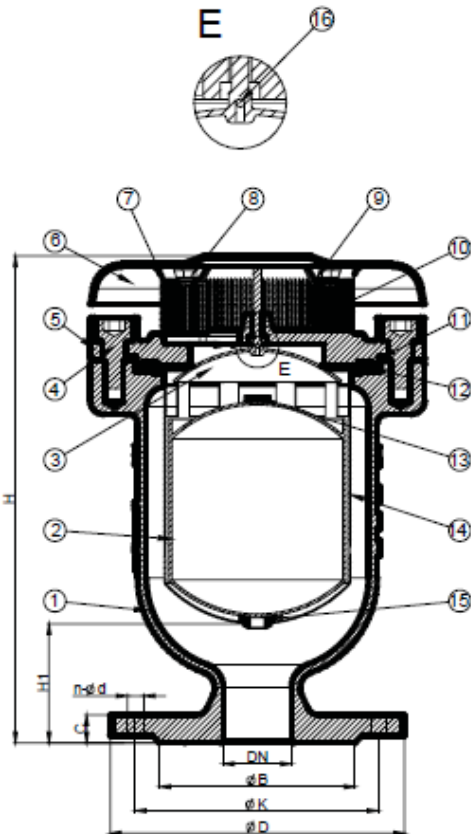
DN	φA	C	H
25	G1"	20	243
32	G1 1/4"	20	243
40	G1 1/2"	20	243
50	G2"	20	243

All the components can be substituted with equivalent or higher-class materials.

DAVINCI VALVES LTD, is constantly looking at all ways of improving our products and services related to the water, fire and industry sector and therefore we reserve the right to change, without prior notice, any of the data contained here. Please contact our Technical Sales Department for detailed advice.
© 2018 DAVINCI VALVES LTD.

www.davincivalves.com info@davincivalves.com +34 616553797 / +86 17340168233
18 Dongyu Street, Square One 11th Floor 1101. Jinjiang District, Chengdu, Sichuan Province, China

AIR RELIEF VALVE TRIPLE FUCTION PN10/16/25 ref.500A / PN 10-16-ANSI150#



Main Value-DN50-DN300

No.	Part Name	Material	Standrad
1	Body	Ductile Iron	EN GJS 500-7
2	Float	Stainless Steel	AISI 304
3	Sealing Arc	Stainless Steel	AISI 304
4	Hex Bolt	Carbon Steel/ Stainless Steel	G.I/AISI 304
5	Bonnet	Ductile Iron	EN GJS 500-7
6	Cover	Carbon Steel	AISI 304
7	Screen	Stainless Steel	AISI 304
8	Hex Bolt	Carbon Steel/ Stainless Steel	G.I/AISI 304
9	Washer	Stainless Steel	AISI 304
10	Pillar	Aluminum	Commercial
11	O-ring	Rubber	NBR/EPDM
12	Seat	Rubber	NBR/EPDM
13	Nozzle Seat	Rubber	NBR/EPDM
14	Guide Barrel	Stainless Steel	AISI 304
15	Buffer	Rubber	NBR/EPDM
16	Small Nozzle	Stainless Steel	AISI 304

*: For size ≤DN150

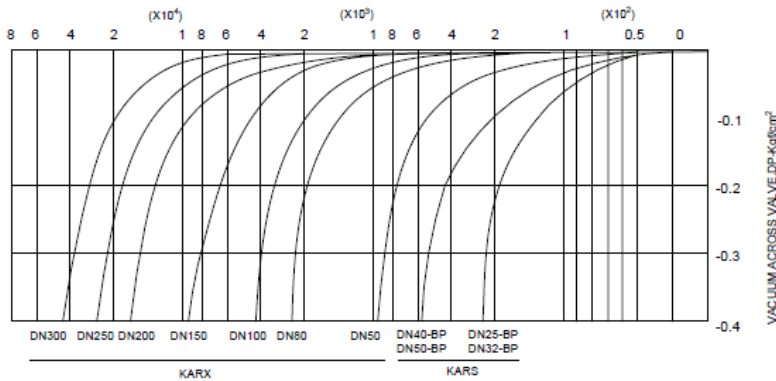
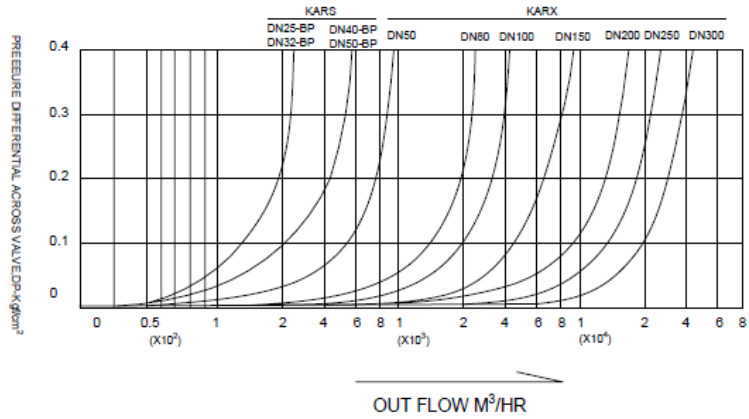
DN	φB			φD			φK			H	N-φd		
	PN10	PN16	PN25	PN10	PN16	PN25	PN10	PN16	PN25		PN10	PN16	PN25
50	99	99	99	165	165	165	125	125	125	280	4-φ19	4-φ19	4-φ19
80	132	132	132	200	200	200	160	160	160	362	8-φ19	8-φ19	8-φ19
100	156	156	156	220	220	235	180	180	190	395	8-φ19	8-φ19	8-φ23
150	211	211	211	285	285	300	240	240	250	485	8-φ23	8-φ28	8-φ28
200	266	266	274	340	340	360	295	295	310	582	8-φ23	12-φ23	12-φ28
300	370	370	389	445	460	485	400	410	430	750	12-φ23	12-φ28	16-φ31

All the components can be substituted with equivalent or higher-class materials.

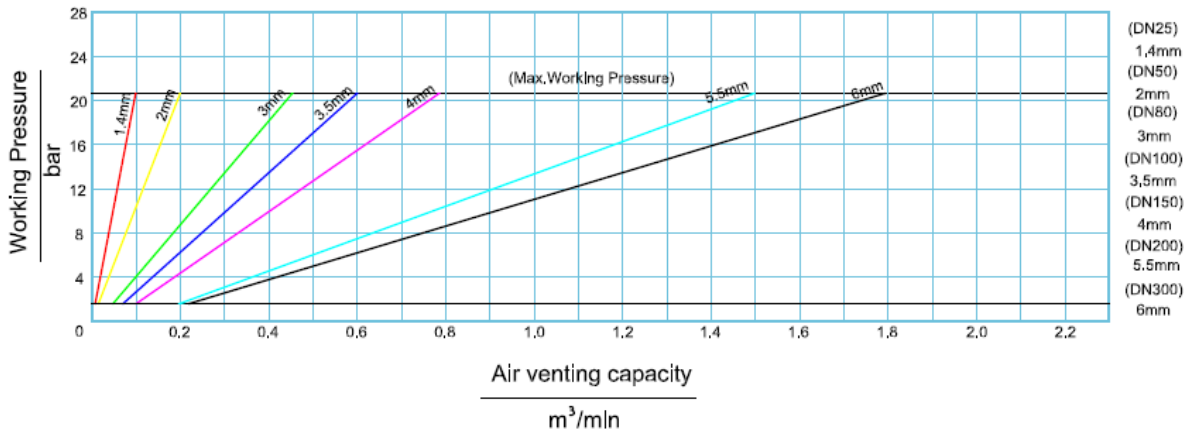
DAVINCI VALVES LTD, is constantly looking at all ways of improving our products and services related to the water, fire and industry sector and therefore we reserve the right to change, without prior notice, any of the data contained here. Please contact our Technical Sales Department for detailed advice.
© 2018 DAVINCI VALVES LTD.

www.davincivalves.com info@davincivalves.com +34 616553797 / +86 17340168233
18 Dongyu Street, Square One 11th Floor 1101. Jinjiang District, Chengdu, Sichuan Province, China

AIR RELIEF VALVE TRIPLE FUCTION PN10/16/25 ref.500A / PN 10-16-ANSI150#



Air Venting



All the components can be substituted with equivalent or higher-class materials.

DAVINCI VALVES LTD, is constantly looking at all ways of improving our products and services related to the water, fire and industry sector and therefore we reserve the right to change, without prior notice, any of the data contained here. Please contact our Technical Sales Department for detailed advice.
© 2018 DAVINCI VALVES LTD.

www.davincivalves.com info@davincivalves.com +34 616553797 / +86 17340168233
18 Dongyu Street, Square One 11th Floor 1101. Jinjiang District, Chengdu, Sichuan Province, China

AIR RELIEF VALVE TRIPLE FUCTION PN10/16/25 ref.500A / PN 10-16-ANSI150#

KARX-Quick Selection Table

Water Flow Rate Range Max. CMH (M ³ /Hour)	Main Pipe Size MM	Inlet Size of KARX MM	Bore of Outlet MM	Small Orif Ce Size MM
760	80-300	25*/32*/ 40*/50*	50	1.6
1360	200-400	50	75	1.6
4160	400-700	80	95	2
8500	750-1000	100	130	2.5
19100	1050-1500	150	170	3
33400	1500-2000	200	230	4
76300	2100-3000	300	330	4

*These are pipe thread Combination Air Release Valve-KARS, which can be up to Max. WP PN16. Those flange type from DN 50-300 can be up to Max. WP PN25

SPECIAL ADVANTAGED:

100% -full flow area thru the valve internal.
The float can resist high pressure from 51-70Bar for different size air valve.
Blow shut pressure can come up to 2.0Bar.
Generally, up to 0.5Bar is enough for operation.
Single body preventing breakage of dual bodies connection.
All internal parts are 304SS material without rusting.
Full flow area- enough for air exhausting
Min. closing pressure can be 0.3Bar, and 0.2Bar can be provided upon request.

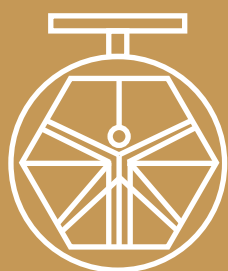


All the components can be substituted with equivalent or higher-class materials.

DAVINCI VALVES LTD, is constantly looking at all ways of improving our products and services related to the water, fire and industry sector and therefore we reserve the right to change, without prior notice, any of the data contained here. Please contact our Technical Sales Department for detailed advice.
© 2018 DAVINCI VALVES LTD.

www.davincivalves.com info@davincivalves.com +34 616553797 / +86 17340168233
18 Dongyu Street, Square One 11th Floor 1101. Jinjiang District, Chengdu, Sichuan Province, China

ò ' " ' " ' ^ † • < ' • fž • TMS' TMf • _ • • ' " † ó



DAVINCI
VALVES™