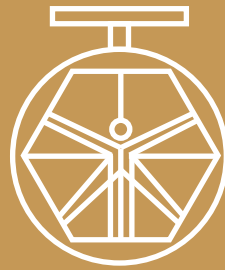


**GROUP 200
GATE VALVES
MOD. 201A/50**



**DAVINCI
VALVES™**

**TECHNICAL
DATA SHEET**

FIRE Series

**SYSTEM UL/FM
RISING STEM FLANGED ENDS 300PSI**

**DAVINCI
VALVES™**



**QUALITY
ASSUREMENT**

**DAVINCI
VALVES™**



**PRODUCT QT
ASSUREMENT**

**DAVINCI
VALVES™**



**COMPANY QT
ASSUREMENT**

www.davincivalves.com

18 Dongyu Street, Square One,
11th Floor 1101, Jinjiang District,
Chengdu, Sichuan CHINA

10F/Tower A, Billion Center,
1 Wang Kwong Road, Kowloon Bay
Kowloon HONG KONG

RESILIENT SEAT GATE VALVE RISING STEM FLANGED END 300PSI UL/FM FIRE SYSTEMS Ref.201A / 300PSI

GENERAL CHARACTERISTICS:

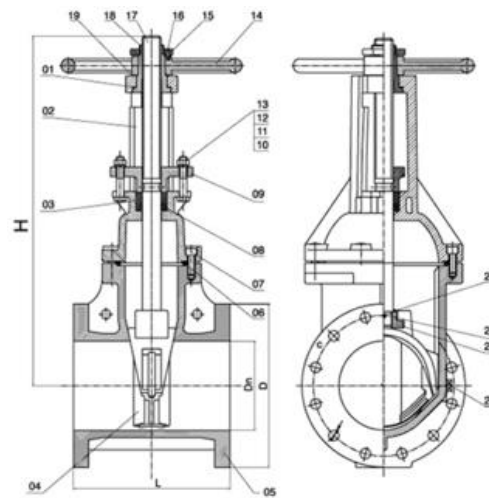
Range from ND50 up to ND300.
Full bore.
100% Tightness in both ways.
Minimum head loss.
Low torque values.
Epoxy paint 250 microns

WORKING CONDITIONS:

Pressure Ratings: 300PSI
Working Temperature: -10C +100C
Suitable Media: Water
Consult for other applications

STANDARDS:

Design: AWWA515
Flange standard: ASME/ANSIB16.1 Class 125 or ASME/ANSI B16.42 Class 150 or BS EN1092-2 PN16 or GB/T9113.1
Pressure Test: EN 12266-1 Rate A.
EU directive 2014/68/EU



ITEM	2-1/2"	3"	4"	5"	6"	8"	10"	12"
Dn	65	80	103	128.5	155	204	255	304
L	190	203	229	254	267	292	330	356
D	178	191	229	254	279	343	406	483
H	370	420	447	547	607	754	890	1031

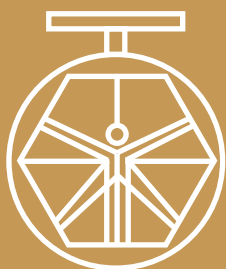
ITEM	PART	MATERIAL	ITEM	PART	MATERIAL	ITEM	PART	MATERIAL
1	Gasket	C95400	9	GLAND	DI GJS450	17	Stem	AISI304
2	Bonnet	DI GJS450	10	Nut	STEEL	18	Stem Nut	AISI304
3	Packing	GRAPHITE	11	Flat Washer	STEEL	19	Gasket	EPDM
4	Disc	DI GJS450 + EPDM	12	Bolt	STEEL	20	Plug	C95400
5	Body	DI GJS450	13	Spring Washer	STEEL	21	Lifting Nut	CF8M
6	Sealing ring	EPDM	14	Handwheel	DI GJS450	22	Pin	AISI304
7	Bolt	STEEL	15	Lock Nut	C95400	23	Sealing Ring	EPDM
8	Sealing Kits	EPDM	16	Locating Screw	AISI304			

All the components can be substituted with equivalent or higher-class materials.

DAVINCI VALVES LTD, is constantly looking at all ways of improving our products and services related to the water, fire and industry sector and therefore we reserve the right to change, without prior notice, any of the data contained here. Please contact our Technical Sales Department for detailed advice.
© 2018 DAVINCI VALVES LTD.

www.davincivalves.com info@davincivalves.com +34 616553797 / +86 17340168233
18 Dongyu Street, Square One 11th Floor 1101. Jinjiang District, Chengdu, Sichuan Province, China

"For professionals who wants more"



DAVINCI
VALVES™