

3 PIECE BALL VALVE WITH ISO PAD SS316 1000WOG THREAD END Ref.742A. 43.2

APPLICATION:

Industry, potable water distribution and pumping, sewage, irrigation

WORKING CONDITIONS:

Pressure Ratings: 1000 PSI
Working Temperature: -30°C +250°C
Suitable Media: Water Oil Gas
End connection: Thread end GAS/NPT
Consult Factory for other applications

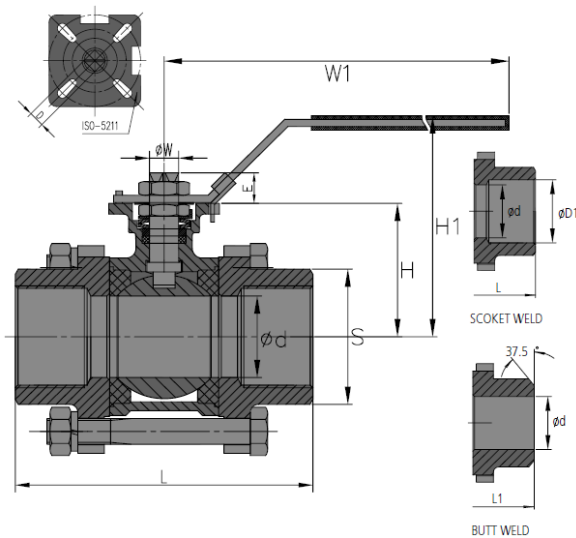
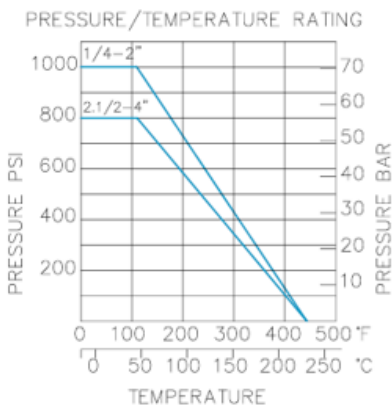
GENERAL CHARACTERISTICS:

Size Range: 1/4" ~4"
Full bore.
100% Tightness in both ways. Block device



STANDARDS:

Pressure Test: API 598, EN 12266
Body: 1000 psi /PN63 WOG
Casting Approved AD2000-WO PED97/23/PE(CE0036) Approved
Thread: ASME B1.20.1 BS21.DIN2999/259, ISO228-1, JIS B 0203, ISO7/1



ND	d±0.5	d1±0.5	L±2	L1±2	H±1	D	E±1	W	W1	H1	Kgs.
1/4"	11.6	14.2	55	60	38	9	9	12	143	65	0.415
3/8"	12.5	17.7	60	60	38	9	9	12	143	65	0.425
1/2"	15	21.8	75	70	38	9	9	12	143	65	0.56
3/4"	20	27.2	80	85	47	9	9	12	143	76	0.68
1"	25	34	90	95	60	11	11	14	168	95	1.06
1.1/4"	32	42.7	110	110	62.7	11	11	14	168	95	1.695
1.1/2"	38	48.8	120	120	79	14	15	18	190	115	2.505
2"	50	61.2	140	142	88	14	15	18	190	124	3.6
2.1/2"	64	74	162	166	109.1	17	17	22	350	140	6.875
3"	76	90	184	182	116.2	17	17	22	350	150	10.225
4"	94	115.6	228	227	142	22	22	28	350	175	19

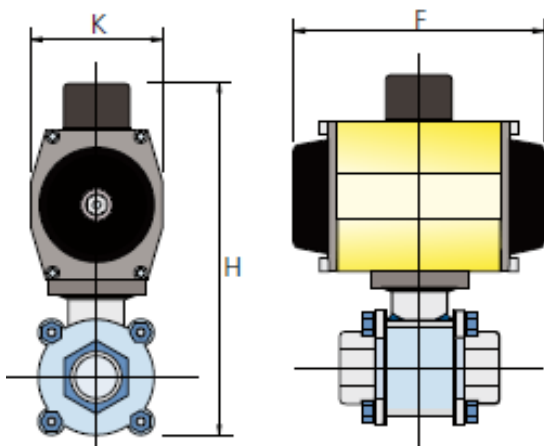
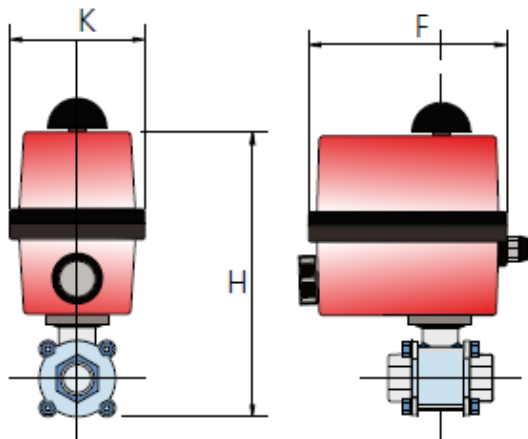
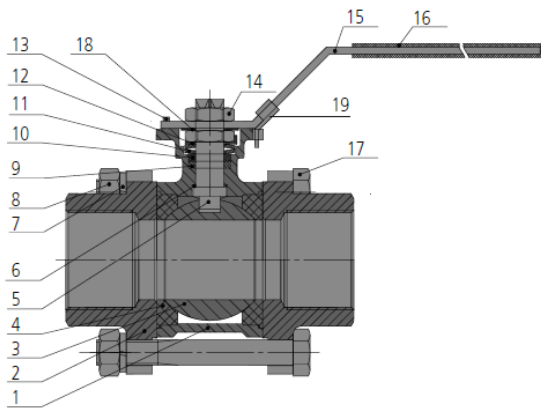
All the components can be substituted with equivalent or higher-class materials.

DAVINCI VALVES LTD, is constantly looking at all ways of improving our products and services related to the water, fire and industry sector and therefore we reserve the right to change, without prior notice, any of the data contained here. Please contact our Technical Sales Department for detailed advice.

© 2018 DAVINCI VALVES LTD.

www.davincivalves.com info@davincivalves.com +34 616553797 / +86 17340168233

3 PIECE BALL VALVE WITH ISO PAD SS316 1000WOG THREAD END Ref.742A. 43.2



ITEM	DESIGNATION	Stainless Steel	Carbon Steel
1	Body	S.S 316	WCB
2	Cap	S.S 316	WCB
3	Ball	S.S 316	S.S 304
4	Seat	PTFE+15%GF	PTFE+15%GF
5	Stem	S.S 304	S.S 304
6	Thrust Washer	PTFE	PTFE
7	Spring Wahser	S.S 304	S.S 304
8	Bolt Nut	S.S 304	S.S 304
9	Stem Packing	PTFE	PTFE
10	Ring	S.S 304	S.S 304
11	Belleville Washer	S.S 304	S.S 304
12	Lock Washer	S.S 304	S.S 304
13	Stop Pim	S.S 304	WCB
14	Handle Nut	S.S 304	S.S 304
15	Handle	S.S 304	S.S 304
16	Handle Sleeve	PLASTIC	S.S 304
17	Bolt Nut	S.S 304	S.S 304
18	Washer	S.S 304	S.S 304
19	Locking Device	S.S 304	S.S 304

ND	Kv VALUE	TORQUE (Nm)
1/4"	12.41	2.5
3/8"	22.92	2.5
1/2"	33	4
3/4"	58.66	6
1"	91.66	11
1.1/4"	150.18	12
1.1/2"	211.78	12
2"	366.65	35
2.1/2"	619.65	45
3"	938.63	55
4"	1466.62	87

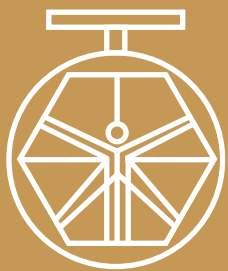
All the components can be substituted with equivalent or higher-class materials.

DAVINCI VALVES LTD, is constantly looking at all ways of improving our products and services related to the water, fire and industry sector and therefore we reserve the right to change, without prior notice, any of the data contained here. Please contact our Technical Sales Department for detailed advice.

© 2018 DAVINCI VALVES LTD.

www.davincivalves.com info@davincivalves.com +34 616553797 / +86 17340168233

"For professionals who wants more"



DAVINCI
VALVES™