

**GROUP 600  
ACCESSORIES  
MOD. 612A/81**



**DAVINCI  
VALVES™**

**TECHNICAL  
DATA SHEET  
WATER Series**

**GIBALT COUPLING SQUARE GASKET**

**DAVINCI  
VALVES™**



**QUALITY  
ASSUREMENT**

**DAVINCI  
VALVES™**



**PRODUCT QT  
ASSUREMENT**

**DAVINCI  
VALVES™**



**COMPANY QT  
ASSUREMENT**

[www.davincivalves.com](http://www.davincivalves.com)

18 Dongyu Street, Square One,  
11th Floor 1101, Jinjiang District,  
Chengdu, Sichuan CHINA

10F/Tower A, Billion Center,  
1 Wang Kwong Road, Kowloon Bay  
Kowloon HONG KONG

## GIBALT JOINT FOR PVC PIPE SQUARE JOINT

Ref.612B / PN 10-16-25

### APPLICATION:

Water, HVAC installations,  
irrigation, industry, others

### STANDARDS:

Comply with EN545  
Coating standard EN30677  
Pressure Test: EN 12266-1



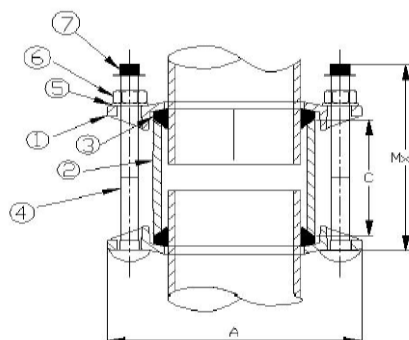
### GENERAL CHARACTERISTICS:

Size OD40 to OD500,  
Powder Epoxy Cured coating 250 Mic

### WORKING CONDITIONS:

Working Temperature:  
- 10 °C - + 120 °C. for EPDM  
- 10 °C - + 82 °C. for NBR  
working pressure PN10/PN16/PN25

Sr.No.	Name	Material
1	End ring	Ductile Iron
2	Center Sleeve	Ductile Iron
3	Gasket	EPDM/NBR
4	Bolt	CS Dacromet
5	Washer	CS Dacromet
6	Nut	CS Dacromet
7	Cap	Plastic



PVC Pipe OD	A(mm)	C(mm)	Bolt NO.	M*L	Weight(kg)
63	142	80	2	M12*140	2
75	154,4	100	2	M12*160	2,5
90	169,4	100	2	M12*160	3
110	192,4	100	3	M12*160	3,8
125	207,4	100	3	M12*160	4,2
140	222,4	100	3	M12*160	5
160	246,4	130	4	M12*190	7
200	287	130	4	M12*190	9,01
250	338	140	6	M12*190	12
315	403	140	6	M12*190	14,6
400	495	202	8	M12*260	21,79
500	592	202	10	M12*260	26,76

All the components can be substituted with equivalent or higher-class materials.

DAVINCI VALVES LTD, is constantly looking at all ways of improving our products and services related to the water, fire and industry sector and therefore we reserve the right to change, without prior notice, any of the data contained here. Please contact our Technical Sales Department for detailed advice.  
© 2018 DAVINCI VALVES LTD.

www.davincivalves.com info@davincivalves.com +34 616553797 / +86 17340168233  
18 Dongyu Street, Square One 11th Floor 1101. Jinjiang District, Chengdu, Sichuan Province, China

*"For professionals who wants more"*



DAVINCI  
VALVES™