

**GROUP 700  
BALL VALVES  
MOD. 745/119**



**DAVINCI  
VALVES™**

**TECHNICAL  
DATA SHEET**  
**INDUSTRY Series**

**BALL VALVES  
2 PIECE 3 WAYS FLANGED END**

**DAVINCI  
VALVES™**



**QUALITY  
ASSUREMENT**

**DAVINCI  
VALVES™**



**PRODUCT QT  
ASSUREMENT**

**DAVINCI  
VALVES™**



**COMPANY QT  
ASSUREMENT**

[www.davincivalves.com](http://www.davincivalves.com)

18 Dongyu Street, Square One,  
11th Floor 1101, Jinjiang District,  
Chengdu, Sichuan CHINA

10F/Tower A, Billion Center,  
1 Wang Kwong Road, Kowloon Bay  
Kowloon HONG KONG

## 3 WAYS BALL VALVE FLANGED END T/L SS316

Ref.745

### APPLICATION:

Water, Gas oil, Industry

### GENERAL CHARACTERISTICS:

Range from ND006 up to ND100.  
Installation in horizontal or vertical position.  
Low head loss.  
L or T port configuration  
Lockable lever with PVC sleeve  
Max pressure of 1000 psi  
Cavity pressure relieving hole in ball

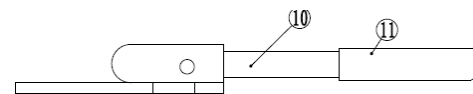
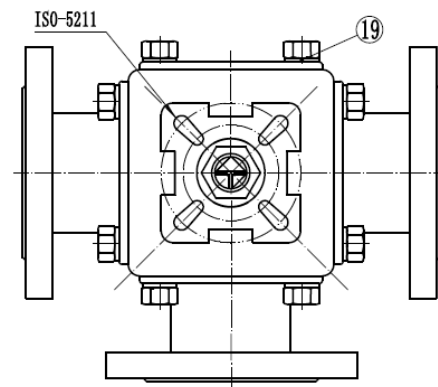


### WORKING CONDITIONS:

Maximum Working Pressure 1000 WOG  
Working Temperature: - 10°C / + 200 °C.  
Suitable Media: Water, Gas oil  
Consult Factory for other applications

### STANDARDS:

Standard ports.  
Thread end GAS /NPT  
ISO 5211 "Direct Mount" top flange  
Anti-static design in accordance with  
ATEX guidance 94/9/EC  
EU directive 2014/68/EU Equipment's under pressure: Cat. III  
mod. H.



DN	PORT	L	E	H	H1	G	J	I	T	F	M*ØN	ISO 5211
1/2"	16	158	163	89	9	95	65	45	16	2	4*Ø14	F04/03
3/4"	20	169	208.5	93	11	105	105	58	18	2	4*Ø14	F05/04
1"	25	185	208.5	102	11	115	115	68	18	2	4*Ø14	F05/04
1 1/4"	32	195	260	118.5	14	140	140	78	18	2	4*Ø18	F07/05
1 1/2"	38	232	260	127	14	150	150	88	18	3	4*Ø18	F07/05
2"	50	250	280	139	17	165	165	102	20	3	4*Ø18	F10/07
2 1/2"	65	270	350	117.3	17	185	185	122	22	3	8*Ø18	F10/07
3"	76	292.2	350	170	17	200	200	138	24	3	8*Ø18	F10/07
4"	100	360	350	230	22	235	235	162	24	3	8*Ø22	F12/10

All the components can be substituted with equivalent or higher-class materials.

DAVINCI VALVES LTD, is constantly looking at all ways of improving our products and services related to the water, fire and industry sector and therefore we reserve the right to change, without prior notice, any of the data contained here. Please contact our Technical Sales Department for detailed advice.

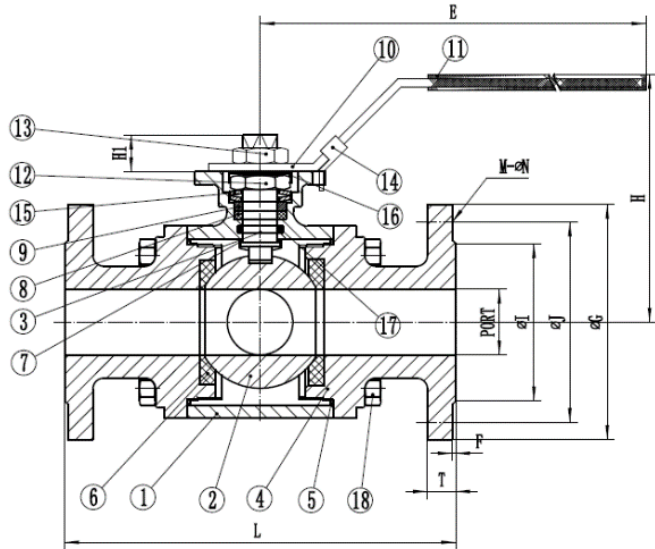
© 2018 DAVINCI VALVES LTD.


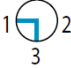

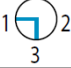
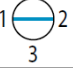
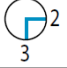
[www.davincivalves.com](http://www.davincivalves.com) [info@davincivalves.com](mailto:info@davincivalves.com) +34 616553797 / +86 17340168233

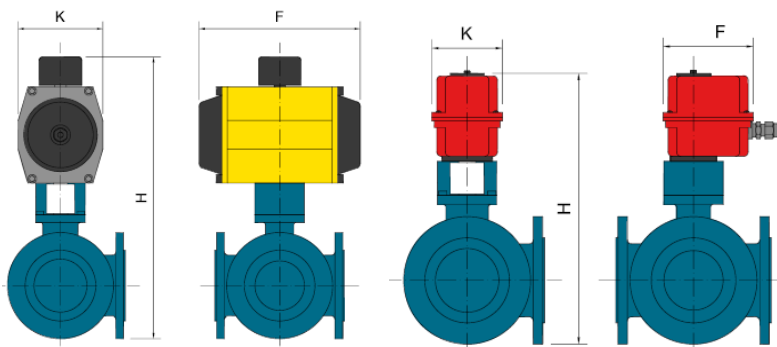
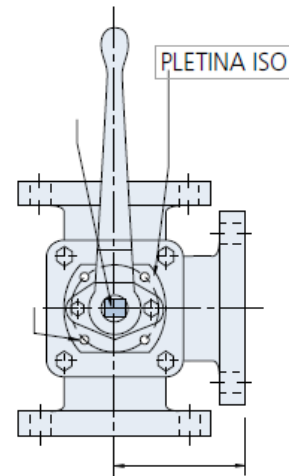
## 3 WAYS BALL VALVE FLANGED END T/L SS316

Ref.745

NO.	NAME	QTY	MATERIAL
1	Body	1	1,4408
2	Ball	1	316
3	Stem	1	316
4	Cap	4	1,4408
5	Seal	4	PTFE
6	Seat	4	PTFE+15%GF
7	Thrush Washer	1	PTFE
8	Packing	1	PTFE+15%GF
9	Bush	1	304
10	Handle	1	304
11	Handle Cover	1	Vinly Grip
12	Stem Nut	1	304
13	Handle Nut	1	304
14	Locking	1	304
15	Belleville Washer	2	304
16	Tab Washer	1	304
17	O-RING	1	Viton
18	Body Bolt	16	304
19	Spring	16	304



POSICION/POSITION	1	2	3	4
L PASO/PORT				
T PASO/PORT				



DN	PAR (Nm)
25	24
40	45
50	61
65	100
80	145
100	200
150	550

All the components can be substituted with equivalent or higher-class materials.

DAVINCI VALVES LTD, is constantly looking at all ways of improving our products and services related to the water, fire and industry sector and therefore we reserve the right to change, without prior notice, any of the data contained here. Please contact our Technical Sales Department for detailed advice.

© 2018 DAVINCI VALVES LTD.

[www.davincivalves.com](http://www.davincivalves.com) [info@davincivalves.com](mailto:info@davincivalves.com) +34 616553797 / +86 17340168233

*"For professionals who wants more"*



DAVINCI  
VALVES™