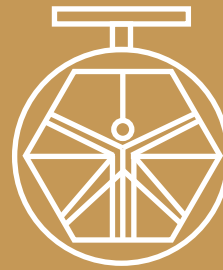


**GROUP 600
ACCESSORIES
MOD. 612A/81**



**DAVINCI
VALVES™**

**TECHNICAL
DATA SHEET
WATER Series**

GIBALT COUPLING SQUARE GASKET

**DAVINCI
VALVES™**



**QUALITY
ASSUREMENT**

**DAVINCI
VALVES™**



**PRODUCT QT
ASSUREMENT**

**DAVINCI
VALVES™**



**COMPANY QT
ASSUREMENT**

www.davincivalves.com

18 Dongyu Street, Square One,
11th Floor 1101, Jinjiang District,
Chengdu, Sichuan CHINA

10F/Tower A, Billion Center,
1 Wang Kwong Road, Kowloon Bay
Kowloon HONG KONG

GIBAULT JOINT FOR PVC PIPE SQUARE JOINT

Ref.612B / PN 10-16-25

APPLICATION:

Water, HVAC installations,
irrigation, industry, others

GENERAL CHARACTERISTICS:

Size OD50 o OD500,
Powder Epoxy Cured coating 250 Mic

WORKING CONDITIONS:

Working Temperature:

- 10 °C - + 120 °C. for EPDM

- 10 °C - + 82 °C. for NBR

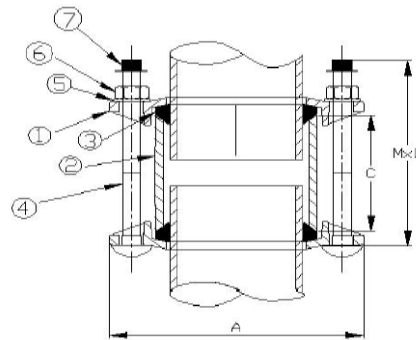
working pressure PN10/PN16/PN25

STANDARDS:

Comply with EN545

Coating standard EN30677

Pressure Test: EN 12266-1



Sr.No.	Name	Material
1	End ring	Ductile Iron
2	Center Sleeve	Ductile Iron
3	Gasket	EPDM/NBR
4	Bolt	CS Dacromet
5	Washer	CS Dacromet
6	Nut	CS Dacromet
7	Cap	Plastic

PVC Pipe OD	A(mm)	C(mm)	Bolt NO.	M*L	Weight(kg)
50	129	80	2	M12*140	1,6
63	142	80	2	M12*140	2
75	154,4	100	2	M12*160	2,5
90	169,4	100	2	M12*160	3
110	192,4	100	3	M12*160	3,8
125	207,4	100	3	M12*160	4,2
140	222,4	100	3	M12*160	5
160	246,4	130	4	M12*190	7
180	270	130	4	M12*190	7,5
200	287	130	4	M12*190	9,01
250	338	140	6	M12*190	12
315	403	140	6	M12*190	14,6
400	495	202	8	M12*260	21,79
500	592	202	10	M12*260	26,76

All the components can be substituted with equivalent or higher-class materials.

DAVINCI VALVES LTD, is constantly looking at all ways of improving our products and services related to the water, fire and industry sector and therefore we reserve the right to change, without prior notice, any of the data contained here. Please contact our Technical Sales Department for detailed advice.
© 2018 DAVINCI VALVES LTD.

www.davincivalves.com info@davincivalves.com +34 616553797 / +86 17340168233
18 Dongyu Street, Square One 11th Floor 1101. Jinjiang District, Chengdu, Sichuan Province, China

"For professionals who wants more"



DAVINCI
VALVES™