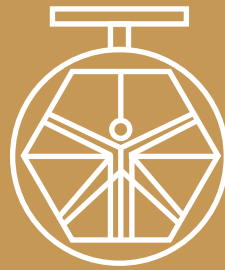


**GROUP 100
TRIPLE
ECCENTRIC
BUTTERFLY
VALVES
MOD. 170A/01**



**DAVINCI
VALVES™**

TECHNICAL DATA SHEET

WATER Series

**BUTTERFLY VALVES WAFER TYPE
CENTER STEM**

**DAVINCI
VALVES™**



**QUALITY
ASSUREMENT**

**DAVINCI
VALVES™**



**PRODUCT QT
ASSUREMENT**

**DAVINCI
VALVES™**



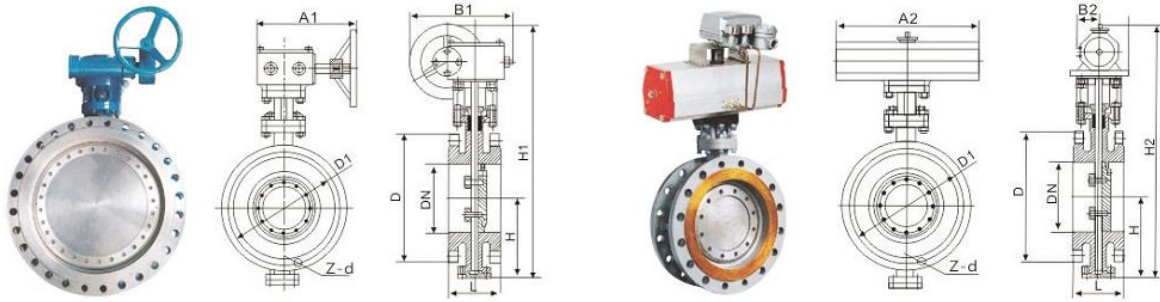
**COMPANY QT
ASSUREMENT**

www.davincivalves.com

18 Dongyu Street, Square One,
11th Floor 1101, Jinjiang District,
Chengdu, Sichuan CHINA

10F/Tower A, Billion Center,
1 Wang Kwong Road, Kowloon Bay
Kowloon HONG KONG

TRIPLE ECCENTRIC BUTTERFLY VALVE FLANGED TYPE MULTIPLE LAYERS METALLIC HARD SEALING ref.170A / PN 10-16



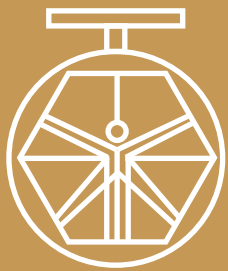
Nominal diameter		Structure length (standard)	External dimension(consult)										Connection dimension(standard)						DT343H (kg)
			Dd343H			Dd643H			Dd943H			PN0.6MPa			PN1.0MPa				
毫米mm	英寸	L	H	H1	A1	B1	H2	A2	B2	H3	A3	B3	D	D1	Z-d	D	D1	Z-d	
50	2	108	112	350	180	200	625	245	72	530	250	255	140	110	4-14	165	125	4-18	17
65	2 1/2	112	115	370	180	200	625	245	72	530	250	255	160	130	4-14	185	145	4-18	20
80	3	114	120	380	180	200	645	245	72	565	250	255	190	150	4-18	200	160	8-18	23
100	4	127	138	420	180	200	675	355	92	600	250	255	210	170	4-18	220	180	8-18	25
125	5	140	164	460	180	200	715	355	92	640	250	255	240	200	8-18	250	210	8-18	40
150	6	140	175	555	270	280	800	355	92	705	300	315	265	225	8-18	285	240	8-22	47
200	8	152	200	760	400	425	850	250	170	775	300	315	320	280	8-18	340	295	8-22	60
250	10	165	243	830	400	425	925	250	170	945	300	315	375	335	12-18	395	350	12-22	95
300	12	178	250	895	450	560	1035	450	220	1070	300	315	440	395	12-22	445	400	12-22	124
350	14	190	280	950	450	560	1070	450	220	1140	300	315	490	445	12-22	505	460	16-22	181
400	16	216	305	1190	535	580	1190	450	220	1210	300	315	540	495	16-22	565	515	16-26	260
450	18	222	350	1255	535	580	1250	650	280	1335	575	714	595	550	16-22	615	565	20-26	338
500	20	229	380	1305	535	580	1290	650	280	1415	575	714	645	600	20-22	670	620	20-26	360
600	24	267	445	1340	570	660	1455	850	380	1605	656	810	755	705	20-26	780	725	20-30	540
700	28	292	480	1520	750	550	1585	850	380	1844	656	810	860	810	24-26	895	840	24-30	580
800	32	318	530	1710	750	550	1700	1250	380	2040	656	810	975	920	24-30	1015	950	24-33	845
900	36	330	580	1810	750	550	1965	1250	380	2255	785	863	1075	1020	24-30	1115	1050	28-33	1050
1000	40	410	650	1960	900	750	2015	1250	380	2380	785	863	1175	1120	28-30	1230	1160	28-36	1500
1200	48	470	760	2250	1000	925	2250	1250	380	2640	785	863	1405	1340	32-33	1455	1380	32-39	2000
1400	56	530	850	2434	1000	925				2886			1630	1560	36-36	1675	1590	36-42	3000
1600	64	600	1030	2780	1000	925				3156			1830	1760	40-36	1915	1820	40-48	4700
1800	72	670	1230	3020	1100	980				3421			2045	1970	44-39	2115	2020	44-48	6500
2000	80	760	1350	3270	1100	980				3685			2265	2180	48-42	2325	2230	48-48	8700

All the components can be substituted with equivalent or higher-class materials.

DAVINCI VALVES LTD, is constantly looking at all ways of improving our products and services related to the water, fire and industry sector and therefore we reserve the right to change, without prior notice, any of the data contained here. Please contact our Technical Sales Department for detailed advice.

© 2018 DAVINCI VALVES LTD.
www.davincivalves.com info@davincivalves.com +34 616553797 / +86 17340168233
18 Dongyu Street, Square One 11th Floor 1101, Jinjiang District, Chengdu, Sichuan Province, China

"For professionals who want more "



DAVINCI
VALVES™

www.davincivalves.com