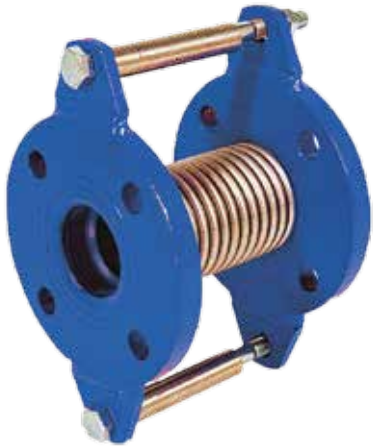


**GROUP 300
COMPLEMENTS
MOD. 310/66**



**DAVINCI
VALVES™**

**TECHNICAL
DATA SHEET**
WATER Series

**METALIC BELLOWS
FLANGED ENDS**

**DAVINCI
VALVES™**



**QUALITY
ASSUREMENT**

**DAVINCI
VALVES™**



**PRODUCT QT
ASSUREMENT**

**DAVINCI
VALVES™**



**COMPANY QT
ASSUREMENT**

www.davincivalves.com

18 Dongyu Street, Square One,
11th Floor 1101, Jinjiang District,
Chengdu, Sichuan CHINA

10F/Tower A, Billion Center,
1 Wang Kwong Road, Kowloon Bay
Kowloon HONG KONG

METALIC BELLOWS FLANGED END Ref.310A / PN 10-16

APPLICATION:

Heating, air conditioning, cooling overheated water, fire protection systems, steam, etc.

STANDARDS:

Design according to: EJMA 7th 2000.

Mounting with flanges: PN10 / PN16 EN 1092-2.

Pressure Test: EN 12266-1, PED 97/23/EC:

Body: 24 bars.

Manufacture acc. to the requirements of the EU directive 2014/68/EU Equipment's under pressure: Cat. III mod. H.

WORKING CONDITIONS:

Maximum Working Pressure: 16 bar.

Breaking Pressure: 32 bar.

Working Temperature: - 90 °C - + 400 °C.

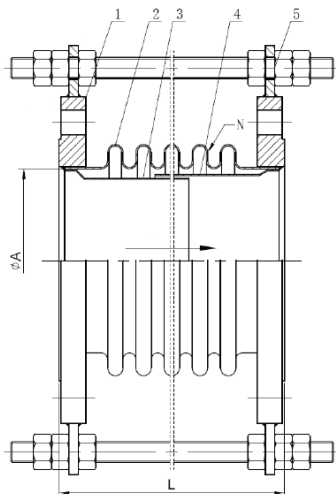
directive 2014/68/EU Equipment's under pressure: Cat.



GENERAL CHARACTERISTICS:

- Designed to absorb axial dilatation movements, vibrations and slight misalignments in fluid conduction pipelines.
- Range from ND32 up to ND600.
- Low load loss.
- To work at high temperatures.
- Reduced installation and maintenance cost.
- Inner sleeve prevents deformations of the bellows.

No	PART	MATERIAL
1	FLANGES	STEEL Q235 /AISI304
2	BELLOW	AISI304
3	INNER LINER	AISI304
4	OUTLER LINER	AISI304
5	TIE RODS	GALVANIZED STEEL



°C	50	100	150	200	250	300	350	400
BAR	16	15	12	11	10	9,5	8	6

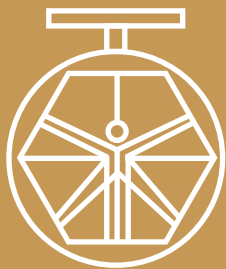
DN	L	A	N	Axial Movement	
				Elong.	Comp.
32	150	40	20	+10	-25
40	150	50	18	+10	-25
50	150	60	15	+10	-20
65	150	76	13	+10	-20
80	150	89	13	+10	-20
100	150	108	12	+10	-20
125	200	133	11	+10	-20
150	200	159	10	+8	-25
200	200	200	10	+8	-30
250	200	250	7	+8	-35
300	200	300	6	+8	-35
350	200	350	5	+10	-40
400	200	400	4	+10	-40
450	200	450	4	+10	-40
500	200	500	3	+10	-40
600	250	600	3	+10	-40

All the components can be substituted with equivalent or higher-class materials.

DAVINCI VALVES LTD, is constantly looking at all ways of improving our products and services related to the water, fire and industry sector and therefore we reserve the right to change, without prior notice, any of the data contained here. Please contact our Technical Sales Department for detailed advice.
© 2018 DAVINCI VALVES LTD.

www.davincivalves.com info@davincivalves.com +34 616553797 / +86 17340168233
18 Donqyu Street, Square One 11th Floor 1101. Jinjiang District, Chenqdu, Sichuan Province, China

"For professionals who wants more"



DAVINCI
VALVES™

www.davincivalves.com