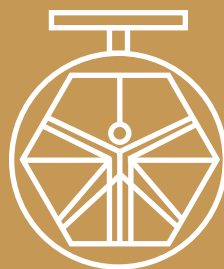


**GROUP 400  
CHECK VALVES  
MOD. 430/113**



**DAVINCI  
VALVES™**

**TECHNICAL  
DATA SHEET**  
**INDUSTRY Series**

**SPRING CHECK VALVE THREAD END**

**DAVINCI  
VALVES™**



**QUALITY  
ASSUREMENT**

**DAVINCI  
VALVES™**



**PRODUCT QT  
ASSUREMENT**

**DAVINCI  
VALVES™**



**COMPANY QT  
ASSUREMENT**

[www.davincivalves.com](http://www.davincivalves.com)

18 Dongyu Street, Square One,  
11th Floor 1101, Jinjiang District,  
Chengdu, Sichuan CHINA

10F/Tower A, Billion Center,  
1 Wang Kwong Road, Kowloon Bay  
Kowloon HONG KONG

## SPRING CHECK VALVE THREAD END

Ref.430A.113

### APPLICATION:

Suitable for use in Industry, heat /cooling systems and others.

### GENERAL CHARACTERISTICS:

Range from 1/4" up to 4"  
3 pcs valve allowing easy maintenance.  
Installation in any position.  
Optional ends BW and SW.  
High mechanical resistance  
Total tightness.  
Low cost installation and maintenance.

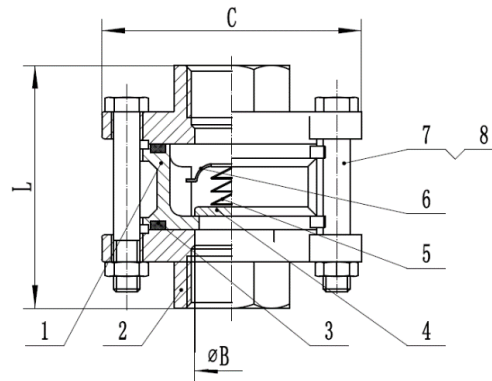


### WORKING CONDITIONS:

Maximum Working Pressure: 1000psi /PN64.  
Max.Working Temperature : -20 °C / +190 °C  
Suitable Media: Water, Oil, Gas, others.  
Consult Factory for other applications

### STANDARDS:

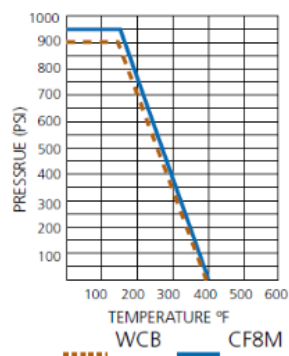
ASME B1.20.1 (NPT) / DIN 2999 & BS 21  
100% sealing according to: ISO 5208 Rate A.  
Manufacture acc. to the requirements of the EU directive 2014/68/EU Equipment under pressure: Cat. III mod. H  
Inspection Testing API598 EN12266



ITEM	PART	MATERIAL
1	BODY	CF8M
2	CAP	CF8M
3	SEAL PACKING	PTFE
4	DISC	SS316
5	SPRING	SS316
6	STOPPED	SS316
7	BOLT	A2
8	NUT	A2

SIZE	B	C	L
1/4"	8	54	56
3/8"	10	54	56
1/2"	15	54	56
3/4"	20	62	65
1"	25	71	74
1.1/4"	32	88	93
1.1/2"	40	95	92
2"	50	117	110
2.1/2"	65	147	125,5
3"	80	167	141
4"	100	224	164

PRESSURE - TEMPERATURE RATING

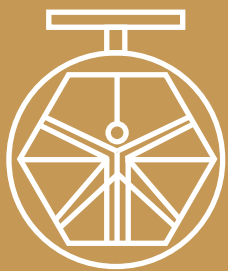


All the components can be substituted with equivalent or higher-class materials.

DAVINCI VALVES LTD, is constantly looking at all ways of improving our products and services related to the water, fire and industry sector and therefore we reserve the right to change, without prior notice, any of the data contained here. Please contact our Technical Sales Department for detailed advice.

© 2018 DAVINCI VALVES LTD.  
www.davincivalves.com info@davincivalves.com +34 616553797 / +86 17340168233

*"For professionals who wants more"*



DAVINCI  
VALVES™