

**GROUP 600
ACCESSORIES
MOD.
610A/79**



**DAVINCI
VALVES™**

**TECHNICAL
DATA SHEET
WATER Series**

UNIVERSAL COUPLING

**DAVINCI
VALVES™**



**QUALITY
ASSUREMENT**

**DAVINCI
VALVES™**



**PRODUCT QT
ASSUREMENT**

**DAVINCI
VALVES™**



**COMPANY QT
ASSUREMENT**

www.davincivalves.com

18 Dongyu Street, Square One,
11th Floor 1101, Jinjiang District,
Chengdu, Sichuan CHINA

10F/Tower A, Billion Center,
1 Wang Kwong Road, Kowloon Bay
Kowloon HONG KONG

UNIVERSAL COUPLING

Ref.610A

APPLICATION:

Water, HVAC installations, irrigation, industry, others

WORKING CONDITIONS:

Working Temperature:

- 10 °C - + 120 °C. for EPDM

- 10 °C - + 82 °C. for NBR

STANDARDS:

Comply with EN545/ISO2531/EN14525

Coating EN30677

Pressure Test: EN 12266-1.

GENERAL CHARACTERISTICS:

Size DN40 to DN600,

working pressure 1.6 MPa, 2.5MPa pressure Test

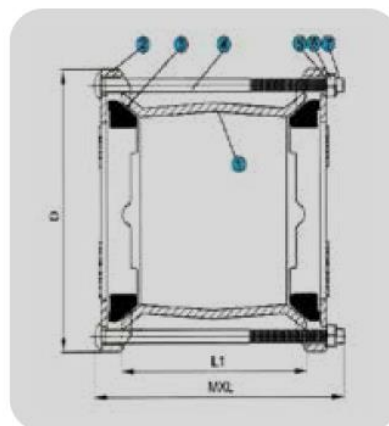
Powder Epoxy Cured coating 250 Mic

Angular deflection $\pm 6^\circ$

Suitable for potable water, neutral liquid and sewage.

WRAS approved

For pipes in DI, STEEL ,PVC, PE HDPE AC etc...



Sr.No.	Name	Material
1	Center Sleeve	Carbon steel
2	End ring	Ductile Iron
3	Gasket	EPDM/NBR
4	Bolt	CS 4.8 Dacromet
5	Washer	CS 4.8 Dacromet
6	Nut	CS 4.8 Dacromet
7	Cap	Plastic

All the components can be substituted with equivalent or higher-class materials.

DAVINCI VALVES LTD, is constantly looking at all ways of improving our products and services related to the water, fire and industry sector and therefore we reserve the right to change, without prior notice, any of the data contained here. Please contact our Technical Sales Department for detailed advice.
© 2018 DAVINCI VALVES LTD.

www.davincivalves.com info@davincivalves.com +34 616553797 / +86 17340168233
18 Donquy Street, Square One 11th Floor 1101. Jinjiang District, Chongqing, Sichuan Province, China

UNIVERSAL COUPLING

Ref.610A

DIMMENSION TABLE

SIZE	Pipe OD(mm)	D	L1		Bolt NO.-MxL		Weight(kg)	
			S	L	S2	L3	S4	L5
DN40	48-60	155	95	190	2-M12*170	2-M12*260	2,3	2,8
DN50	59-72	165	95	190	2-M12*170	2-M12*260	2,4	2,8
DN65	72-85	180	95	190	2-M12*170	2-M12*260	2,7	3,2
DN80	88-103	185	95	190	4-M12*180	4-M12*280	3,7	4,5
DN100	109-128	225	95	190	4-M12*180	4-M12*280	4,3	5,2
DN125	132-153	250	95	190	4-M12*180	4-M12*280	5,8	7
DN150	159-182	275	110	190	4-M12*210	4-M12*280	6,4	7,5
DN175	192-210	305	130	190	4-M12*220	4-M12*280	7,7	8,7
DN200	218-235	315	130	190	4-M12*220	4-M12*280	9,4	10,8
DN225	242-267	350	130	245	4-M12*220	4-M12*350	12,3	15,4
DN250	272-289	395	130	245	6-M12*220	6-M12*350	13,3	16,8
DN300	315-332	450	130	245	6-M12*220	6-M12*350	16,2	20,2
DN300	322-339	460	130	245	6-M12*220	6-M12*350	16,3	20,3
DN350	351-378	510	130	245	8-M14*235	8-M14*350	23,7	28,3
DN350	374-391	520	130	245	8-M14*235	8-M14*350	27,3	34,6
DN400	417-437	565	130	245	8-M14*235	10-M14*350	29,1	37,1
DN450	476-493	615	130	245	10-M14*235	10-M14*350	33,1	42,2
DN500	500-516	623	130	245	10-M14*240	10-M14*355	36,5	45
DN500	526-546	665	130	245	10-M14*235	10-M14*350	39,3	49,4
DN600	600-630	760	130	245	10-M14*235	10-M14*350	47,6	60
DN600	630-650	790	130	245	10-M14*235	10-M14*350	47,6	60

All the components can be substituted with equivalent or higher-class materials.

DAVINCI VALVES LTD, is constantly looking at all ways of improving our products and services related to the water, fire and industry sector and therefore we reserve the right to change, without prior notice, any of the data contained here. Please contact our Technical Sales Department for detailed advice.
© 2018 DAVINCI VALVES LTD.

"For professionals who wants more"



DAVINCI
VALVES™

www.davincivalves.com