

## DOUBLE ECCENTRIC BUTTERFLY VALVE FLANGED END SERIES 13/14 ref.130C / PN 10-16

### APPLICATION:

Water, HVAC installations, pressurized air, industry, etc.

### STANDARDS:

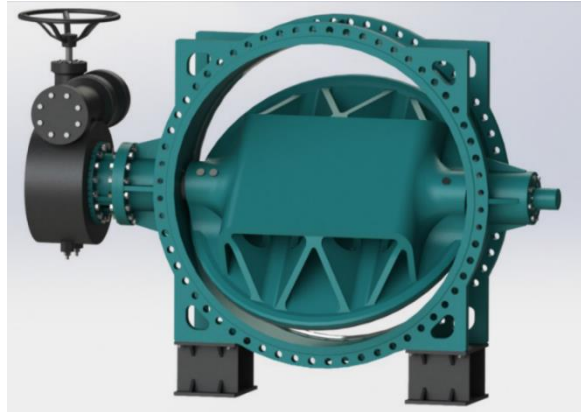
Face to Face: ISO 5752 Series 14(DIN3202 F4)  
Mounting between flanges: PN10/16/25/40 EN 1092-2.  
Pressure Test: EN 12266-1, DIN 3230, BS6755 y ISO 5208:  
Manufacture acc. to the requirements of the EU directive 2014/68/EU  
Equipment's under pressure: mod. H.  
According to EN 1074-2, with WRAS for potable Water

### STANDARDS:

Face to Face: ISO 5752 Series 14(DIN3202 F4)  
Mounting between flanges: PN10/16/25/40 EN 1092-2.  
Pressure Test: EN 12266-1, DIN 3230, BS6755 y ISO 5208:  
Manufacture acc. to the requirements of the EU directive 2014/68/EU  
Equipment's under pressure: mod. H.  
According to EN 1074-2, with WRAS Certificate for potable Water

### GENERAL CHARACTERISTICS:

Range from ND50 up to ND3000.  
Unidirectional as standard  
Top Flange according to ISO 5211.  
Epoxy paint 250 microns RAL5017

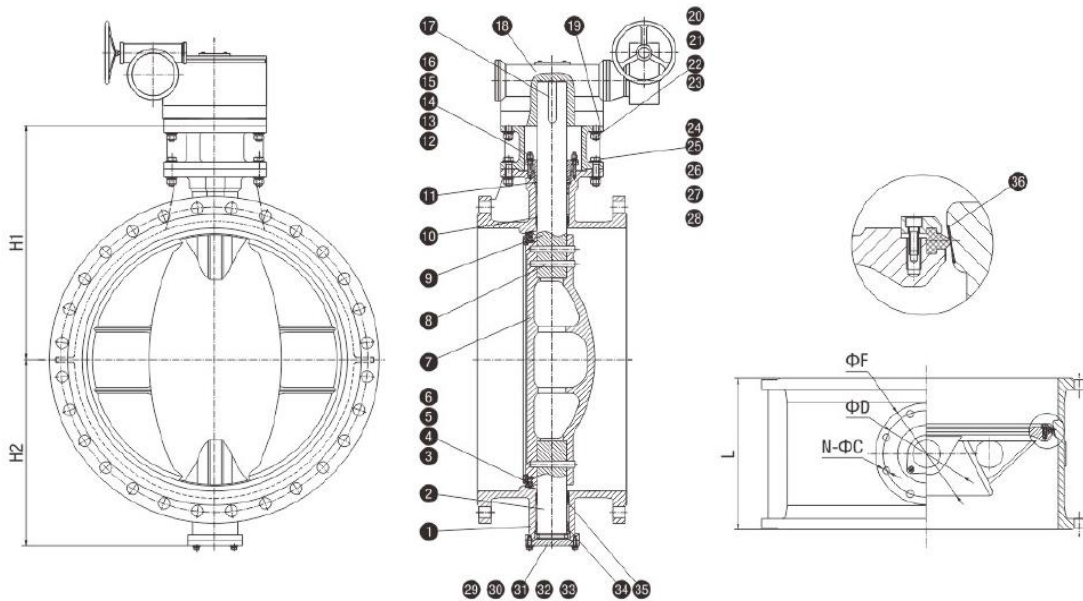


Part	Can be used in water supply and drainage, central air conditioning, heating, sewage, chemical industry, paper making, Marine, food industry, etc.		
Body	Ductile iron/WCB/SS., etc.		
Disc	Ductile iron/WCB		
Seat	NBR	EPDM	VITON
Temperature	-20~80°C	-20~100°C	-10~180°C

*All the components can be substituted with equivalent or higher-class materials.*

DAVINCI VALVES LTD, is constantly looking at all ways of improving our products and services related to the water, fire and industry sector and therefore we reserve the right to change, without prior notice, any of the data contained here. Please contact our Technical Sales Department for detailed advice.  
© 2018 DAVINCI VALVES LTD.  
www.davincivalves.com info@davincivalves.com +34 616553797 / +86 17340168233  
18 Dongyu Street, Square One 11th Floor 1101. Jinjiang District, Chengdu, Sichuan Province, China

## DOUBLE ECCENTRIC BUTTERFLY VALVE FLANGED END SERIES 13/14 ref.130C / PN 10-16



No.	Part	Material	No.	Part	Material	No.	Part	Material
1	Body	GGG40	13	Gland packing	NBR	25	Washer	8.8
2	Below shaft	SS420	14	Stud	8.8	26	Washer	8.8
3	Seal ring	EPDM	15	Washer	8.8	27	Washer	8.8
4	Washer	SS304	16	Washer	8.8	28	Nut	8.8
5	Bolt	SS304	17	Pin	45#	29	Shaft	
6	Nut	SS304	18	Gear box		30	Cover	GGG40
7	Disc	GGG40	19	Yoke	GGG40	31	Bolt	8.8
8	Pin	SS420	20	Nuts	8.8	32	Bolt	8.8
9	Upper shaft	SS420	21	Washer	8.8	33	Washer	8.8
10	O ring	NBR	22	Washer	8.8	34	Gland bush	Copper
11	Gland bush	Copper	23	Bolt	8.8	35	O ring	NBR
12	Packing gland	GGG40	24	Nut	8.8	36	Seat	SS304/SS316

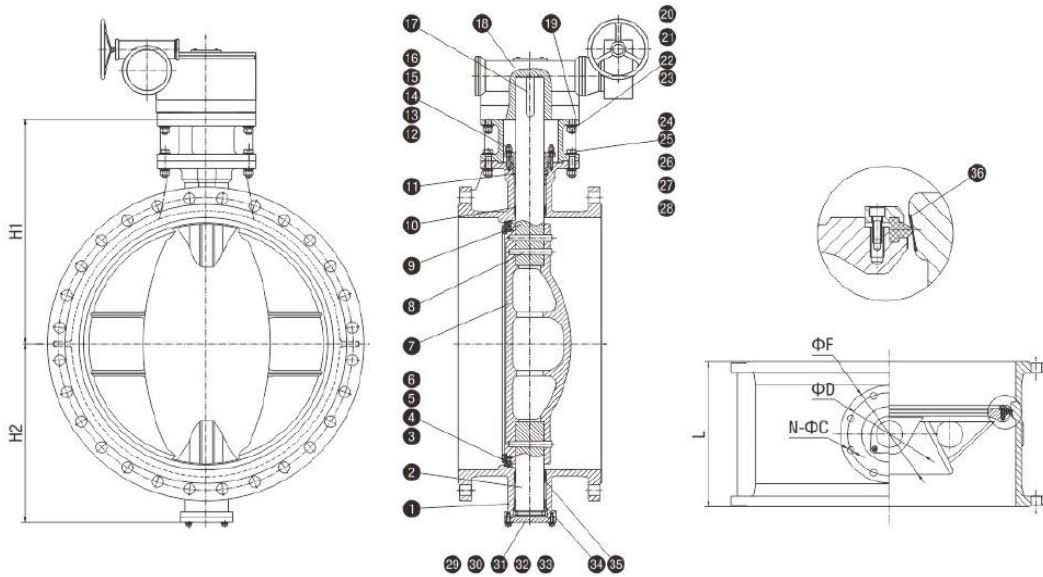
All the components can be substituted with equivalent or higher-class materials.

DAVINCI VALVES LTD, is constantly looking at all ways of improving our products and services related to the water, fire and industry sector and therefore we reserve the right to change, without prior notice, any of the data contained here. Please contact our Technical Sales Department for detailed advice.  
© 2018 DAVINCI VALVES LTD.  
www.davincivalves.com info@davincivalves.com +34 616553797 / +86 17340168233  
18 Dongyu Street, Square One 11th Floor 1101. Jinjiang District, Chengdu, Sichuan Province, China

## DOUBLE ECCENTRIC BUTTERFLY VALVE FLANGED END

### SERIES 13/14

ref.130C / PN 10-16



MM	H1±3	H2±3	Series 13	Series 14	ISO 5211			
			L±3	L±3	Top Flange	ΦF	φD	N-φC
200	330	220	152	230	F10	125	102	4-φ12
250	372	224	165	250	F10	125	102	4-φ12
300	502	280	178	270	F10	125	102	4-φ12
350	520	315	190	290	F10	125	102	4-φ12
400	490	335	216	310	F16	210	165	4-φ22
450	520	400	222	330	F16	210	165	4-φ22
500	570	405	229	350	F16	210	165	4-φ22
600	640	480	267	390	F25	300	254	8-φ18
700	680	530	292	430	F25	300	254	8-φ18
800	750	630	318	470	F25	300	254	8-φ18
900	815	690	330	510	F30	350	298	8-φ22
1000	895	725	410	550	F30	350	298	8-φ22
1200	1020	865	470	630	F35	415	356	8-φ33
1400	1175	1005	530	710	F35	415	356	8-φ33
1600	1280	1190	600	790	F35	415	356	8-φ33
1800	1520	1280	670	870	F48	560	483	12-φ39
2000	1700	1400	760	950	F60	686	603	20-φ39

All the components can be substituted with equivalent or higher-class materials.

DAVINCI VALVES LTD, is constantly looking at all ways of improving our products and services related to the water, fire and industry sector and therefore we reserve the right to change, without prior notice, any of the data contained here. Please contact our Technical Sales Department for detailed advice.  
 © 2018 DAVINCI VALVES LTD.  
 www.davincivalves.com info@davincivalves.com +34 616553797 / +86 17340168233  
 18 Dongyu Street, Square One 11th Floor 1101. Jinjiang District, Chengdu, Sichuan Province, China