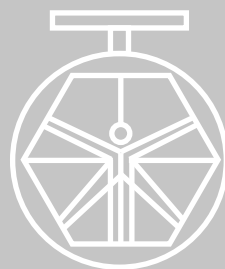


GROUP 200
GATE VALVES
MOD. 200'09

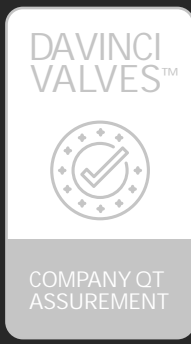
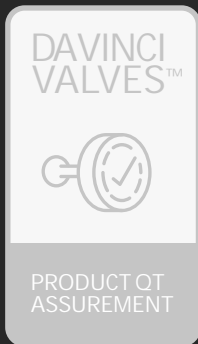


DAVINCI
VALVES™

TECHNICAL DATA SHEET

WATER Series

RESILIENT SEAT GATE VALVES
NON RISING STEM FLANGED END



www.davincivalves.com

18 Dongyu Street, Square One,
11th Floor 1101, Jinjiang District,
Chengdu, Sichuan CHINA

10F/Tower A, Billion Center,
1 Wang Kwong Road, Kowloon Bay
Kowloon HONG KONG

RESILIENT SEAT GATE VALVE NON-RISING STEM F4/F5 Ref.200D / PN 10-16

APPLICATION:

Potable water distribution and pumping,
sewage, irrigation, others



STANDARDS:

Design: DIN 3352.
Manufacture according to: EN 1074-2./GB/T12232-1989
Face to Face: EN 558-1 Serie 14/15.
Mounting between flanges: PN10/16 EN 1092-2, ISO 7005-2.
Pressure Test: EN 12266-1 Rate A. GB/T13927-1992
Body: 24 bars. Seat: 17,6 bars.
EU directive 2014/68/EU: Products excluded, article 1, § 2b up to ND300. Risk Category I MoD. A from ND350 to ND600



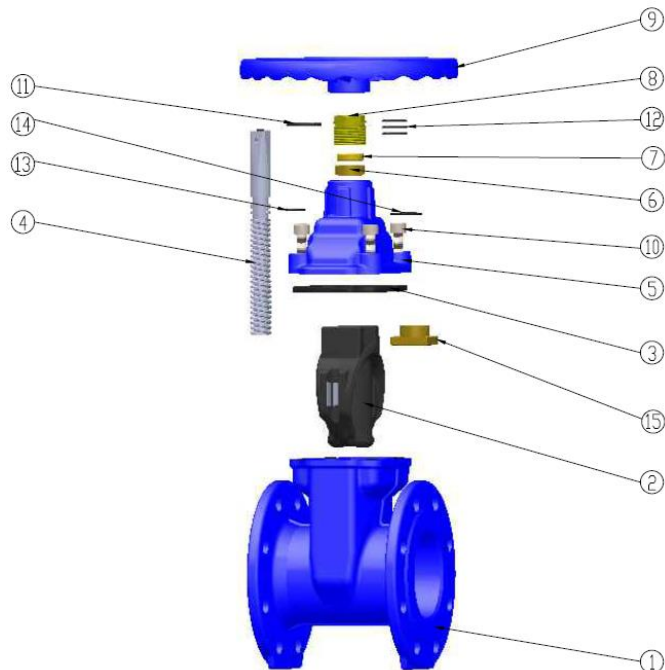
GENERAL CHARACTERISTICS:

Range from ND40 up to ND1200.
Full bore. 100% Tightness in both ways.
Minimum head loss.
Repackable under pipeline pressure.
Low torque values.
Wrass Epoxy paint 250 microns:

WORKING CONDITIONS:

Pressure Ratings: 1.0Mpa; 1.6Mpa;
Working Temperature: -10C +80C
Suitable Media: Water

Nº	ITEM	MATERIAL	STANDARD
1	Body	GJS500	DIN 1693
2	Disc	EPDM+GJS500	DIN 1693
3	Bonnet Gasket	NBR	ISO 4633
4	Stem	SS420	ASTM A959
5	Bonnet	GJS500	DIN 1693
6	Thrust Washer	CuZn39Pb1	EN 12167
7	Thrust	CuZn39Pb1	EN 12167
8	Thrust Nut	CuZn39Pb1	EN 12167
9	Hand wheel	GJS500	ASTM A959
10	Bonnet bolts	CS8.8/A2-70	ASTM A959
11	O Ring	NBR	ISO 4633
12	O Ring	NBR	ISO 4633
13	O Ring	NBR	ISO 4633
14	O Ring	NBR	ISO 4633
15	Stem Nut	CuZn39Pb1	ISO 4633



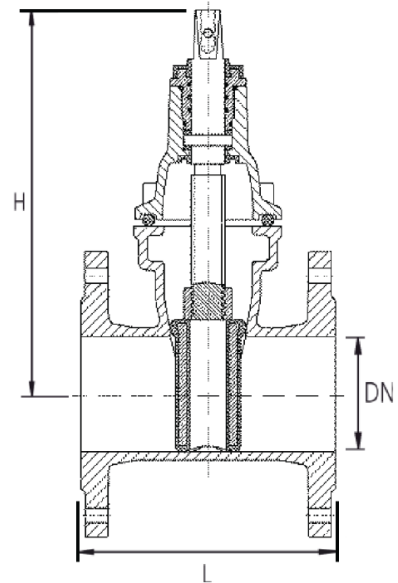
All the components can be substituted with equivalent or higher-class materials.

DAVINCI VALVES LTD, is constantly looking at all ways of improving our products and services related to the water, fire and industry sector and therefore we reserve the right to change, without prior notice, any of the data contained here. Please contact our Technical Sales Department for detailed advice.

© 2018 DAVINCI VALVES LTD.
www.davincivalves.com info@davincivalves.com +34 616553797 / +86 17340168233
18 Dongyu Street, Square One 11th Floor 1101. Jinjiang District, Chengdu, Sichuan Province, China

RESILIENT SEAT GATE VALVE NON-RISING STEM F4/F5 Ref.200D / PN 10-16

ND	L F4	L F5	H	Torque (N.m)	Weight KG
40	140	240	215	40	8,5
50	150	250	215	50	9
65	170	270	250	60	12
80	180	280	275	60	14
100	190	300	320	80	19
125	200	325	355	100	24
150	210	350	398	120	30
200	230	400	495	150	48
250	250	450	590	200	73
300	270	500	670	250	100
350	290	550	760	300	160
400	310	600	855	350	223
450	330	650	930	400	310
500	350	700	1055	450	327
600	390	800	1265	550	632



Liner Sealing face get better sealing & lower closing torque

Position A; Most of factories design is the same level to the sealing face. While when the valve closed, the increasing inlet pressure will push the disc out and press to the valve body, which will cut the disc rubber of position "A" for long term use. Our design aware this defect and innovate the current design to avoid such damage, thus enlarge the disc service life

O Rings can change under pressure



All the components can be substituted with equivalent or higher-class materials.

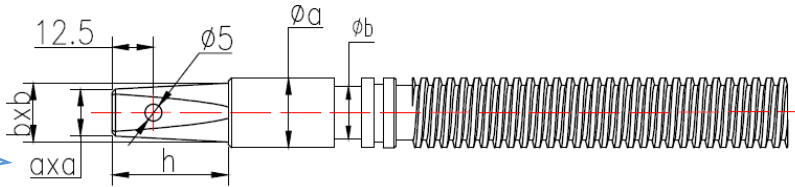
DAVINCI VALVES LTD, is constantly looking at all ways of improving our products and services related to the water, fire and industry sector and therefore we reserve the right to change, without prior notice, any of the data contained here. Please contact our Technical Sales Department for detailed advice.

© 2018 DAVINCI VALVES LTD.
www.davincivalves.com info@davincivalves.com +34 616553797 / +86 17340168233
18 Dongyu Street, Square One 11th Floor 1101. Jinjiang District, Chengdu, Sichuan Province, China

RESILIENT SEAT GATE VALVE NON-RISING STEM F4/F5

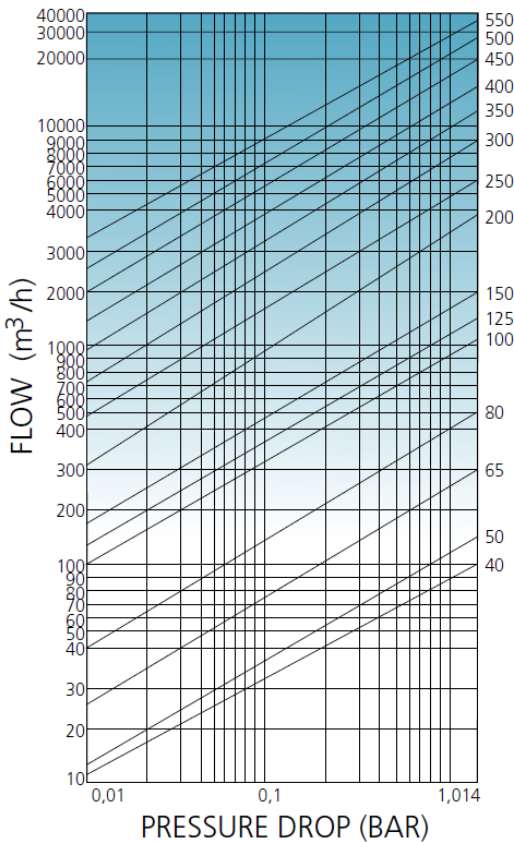
Ref.200D / PN 10-16

Thicker Shaft to support 3MOT according EN1074-2



	DN50	DN65	DN80	DN100	DN125	DN150	DN200	DN250	DN300
øb	ø14	ø16	ø16	ø18	ø19	ø19	ø25	ø27	ø27
øa	ø18	ø21	ø21	ø24	ø26	ø26	ø32	ø34	ø34
axa	14x14	17x17	17x17	19x19	19x19	19x19	24x24	27x27	27x27
bxb	17.3x17.3	20.7x20.7	20.7x20.7	23.2x23.2	23.2x23.2	23.2x23.2	28.7x28.7	31.7x31.7	31.7x31.7
h	32	35	35	40	40	40	45	45	45

FLOW CHARACTERISTIC CHARTS



SPECIAL FEATURES:

- ✓ 4 O-rings on stem (total 6 o-rings in bonnet)
- ✓ The upper 3 o-rings can be replaced online under pressure when valve fully open
- ✓ Liner Sealing face get better sealing & lower closing torque
- ✓ Completely free and full bore self clearing & low pressure loss.
- ✓ Thrust washer-Brass material to get more reliable strength and long service life



TECHNICAL DATA SHEET

All the components can be substituted with equivalent or higher-class materials.

DAVINCI VALVES LTD, is constantly looking at all ways of improving our products and services related to the water, fire and industry sector and therefore we reserve the right to change, without prior notice, any of the data contained here. Please contact our Technical Sales Department for detailed advice.

© 2018 DAVINCI VALVES LTD.
 www.davincivalves.com info@davincivalves.com +34 616553797 / +86 17340168233
 18 Dongyu Street, Square One 11th Floor 1101. Jinjiang District, Chengdu, Sichuan Province, China

"For professionals who wants more"



DAVINCI
VALVES™