





## TELESCOPIC DOUBLE ECCENTRIC BUTTERFLY VALVE ref.130D/ PN 10-16

### APPLICATION:

Water, HVAC installations, pressurized air, industry, etc.

### STANDARDS:

Face to Face: ISO 5752 Series 14(DIN3202 F4)  
Mounting between flanges: PN10/16/25/40 EN 1092-2.  
Pressure Test: EN 12266-1, DIN 3230, BS6755 y ISO 5208:  
Manufacture acc. to the requirements of the EU directive 2014/68/EU  
Equipment's under pressure: mod. H.

### WORKING CONDITIONS:

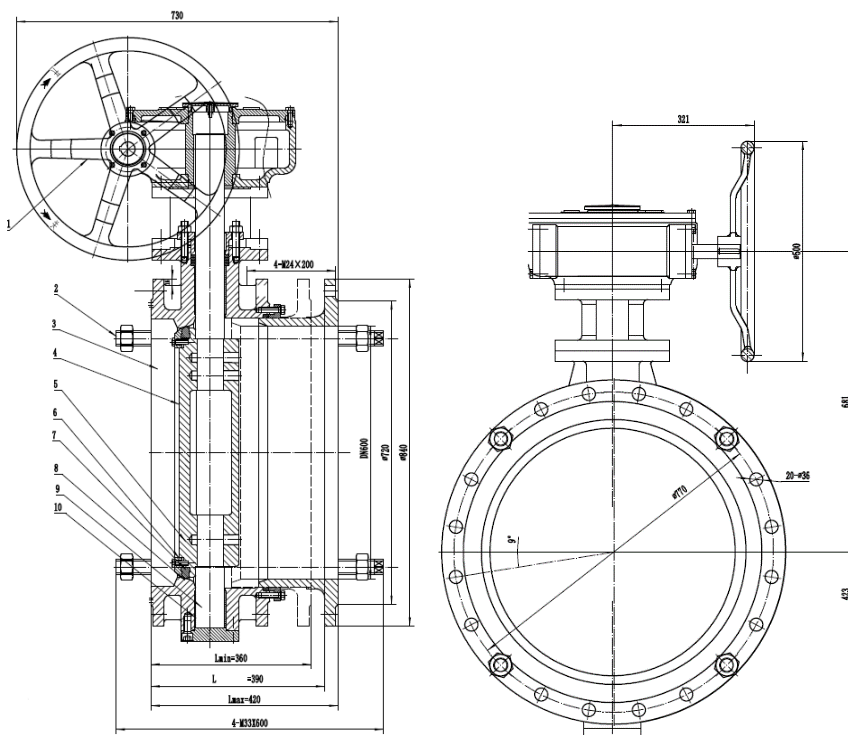
Pressure Ratings: 1.0Mpa; 1.6Mpa  
Working Temperature: -10C- 80C  
Suitable Media: Water  
Consult Factory for other applications

### GENERAL CHARACTERISTICS:

Range from ND50 up to ND3000.  
Bidirectional  
Top Flange according to ISO 5211.  
Epoxy paint 250 microns RAL5017



No.	Part	Material
1	Hand wheel	GJS500
2	Bolts	SS316 A2-70
3	Body	GJS500
4	Disc	GJS500
5	Pin	SS316
6	Clampling	45# Steel
7	Seal Ring	EPDM
8	Seat	D316
9	Stem	SS420
10	Gasket	PTFE



*All the components can be substituted with equivalent or higher-class materials.*

DAVINCI VALVES LTD, is constantly looking at all ways of improving our products and services related to the water, fire and industry sector and therefore we reserve the right to change, without prior notice, any of the data contained here. Please contact our Technical Sales Department for detailed advice.

© 2018 DAVINCI VALVES LTD.

www.davincivalves.com info@davincivalves.com +34 616553797 / +86 17340168233  
18 Dongyu Street, Square One 11th Floor 1101. Jinjiang District, Chengdu, Sichuan Province, China

## BUTTERFLY VALVE DOUBLE ECCENTRIC FLANGED END TYPE SERIE 13/14 ref.130A / PN 25/40

NAME	MATERIAL	SPECIFICATION	REMARKS
Upper Shaft	Stainless Steel	1.4021(SS420)	
	Duplex Stainless Steel	1.4462(S31803)	for rubber lined butterfly valve
Key	Stainless Steel	1.4021(SS420)	
	Duplex Stainless Steel	1.4462(S31803)	for rubber lined butterfly valve
Parking Gland	Ductile Iron	GJS500-7(GGG50), GJ400-15(GGG40)	
	Carbon Steel	1.0619(WCB)	
Shaft Bearing	Bronze	QAI9-2, CC331G	
O ring	Rubber	EPDM, NBR	
Pin	Stainless Steel	1.4021(SS420)	
	Duplex Stainless Steel	1.4462(S31803)	for rubber lined butterfly valve
Body	Ductile Iron	GJS500-7(GGG50), GJ400-15(GGG40)	
Disc	Ductile Iron	GJS500-7(GGG50), GJ400-15(GGG40)	
Lining	Rubber	Nature Bubber	for rubber lined butterfly valve
Retainer Ring	Carbon Steel	1.0038(S235JR)	
	Stainless Steel	1.4301(SS304)	
	Duplex Stainless Steel	1.4462(S31803)	for rubber lined butterfly valve
Disc Sealing Ring	Rubber	EPDM, NBR	
Lower Shaft	Stainless Steel	1.4021(SS420)	
	Duplex Stainless Steel	1.4462(S31803)	for rubber lined butterfly valve
End Cover	Ductile Iron	GJS500-7(GGG50), GJ400-15(GGG40)	
Body Sealing Ring	Stainless Steel	1.4301(SS304)	
Bolt	Stainless Steel	A2-70	
		A4-70	for rubber lined butterfly valve



*All the components can be substituted with equivalent or higher-class materials.*

DAVINCI VALVES LTD, is constantly looking at all ways of improving our products and services related to the water, fire and industry sector and therefore we reserve the right to change, without prior notice, any of the data contained here. Please contact our Technical Sales Department for detailed advice.

© 2018 DAVINCI VALVES LTD.

www.davincivalves.com info@davincivalves.com +34 616553797 / +86 17340168233  
18 Dongyu Street, Square One 11th Floor 1101. Jinjiang District, Chengdu, Sichuan Province, China

## TELESCOPIC DOUBLE ECCENTRIC BUTTERFLY VALVE

ref.130D/ PN 10-16

DN		External Dimension (consult)						Flange Dimension and Bolted Bore Dimension											
								0.6MPa				1.0MPa				1.6MPa			
mm	Inch	H	H1	Length	L±	A	B	D	D1	D2	n-d	D	D1	D2	n-d	D	D1	D2	n-d
50	2	80	309	150	15	180	200	140	110	88	4-14	165	125	99	4-18	165	125	99	4-18
65	2 1/2	95	337	160	15	180	200	160	130	108	4-14	185	145	118	4-18	185	145	118	4-18
80	3	98	347	170	15	180	200	190	150	124	4-18	200	160	132	8-18	200	160	132	8-18
100	4	114	373	190	15	180	200	210	170	144	4-18	220	180	156	8-18	220	180	156	8-18
125	5	128	405	200	15	180	200	240	200	174	8-18	250	210	184	8-18	250	210	184	8-18
150	6	139	440	210	15	270	280	265	225	199	8-18	285	240	211	8-22	285	240	211	8-22
200	8	174	612	230	15	400	425	320	280	254	8-18	340	295	266	8-22	340	295	266	12-22
250	10	215	693	250	15	400	425	375	335	309	12-18	395	350	319	12-22	405	355	319	12-26
300	12	245	747	270	15	450	560	440	395	363	12-22	445	400	370	12-22	460	410	370	12-26
350	14	270	802	290	20	450	560	490	445	413	12-22	505	460	429	16-22	520	470	429	16-26
400	16	305	991	310	20	535	580	540	495	463	16-22	565	515	480	16-26	580	525	480	16-30
450	18	325	1037	330	20	535	580	595	550	518	16-22	615	565	530	20-26	640	585	548	20-30
500	20	360	1127	350	25	535	580	645	600	568	20-22	670	620	582	20-26	715	650	609	20-33
600	24	445	1377	390	30	570	660	755	705	6676	20-26	780	725	682	20-30	840	770	720	20-36
700	28	505	1496	430	30	750	550	860	810	772	24-26	895	840	794	24-30	910	840	794	24-36
800	32	560	1584	470	35	750	550	975	920	878	24-30	1015	950	901	24-33	1025	950	901	24-39
900	36	630	1676	510	35	750	550	1075	1020	978	24-30	1115	1050	1001	28-33	1125	1050	1001	28-39
1000	40	680	1760	550	40	900	750	1175	1120	1078	28-30	1230	1160	1112	28-36	1255	1170	1112	28-42
1200	48	795	2018	630	40	1000	925	1405	1340	1295	32-33	1455	1380	1328	32-39	1485	1390	1328	32-48
1400	56	900	2363	710	50	1000	925	1630	1560	1510	36-36	1675	1590	1530	36-42	1685	1590	1530	36-48
1600	64	1100	2723	790	50	1000	925	1830	1760	1710	40-36	1915	1820	1750	40-48	1930	1820	1750	40-56
1800	72	1124	2844	870	60	1100	980	2045	1970	1718	44-39	2115	2020	1950	44-48	2130	2020	1950	44-56
2000	80	1292	3127	950	60	1100	980	2265	2180	2125	48-42	2325	2230	2150	48-48	2345	2230	2150	48-62

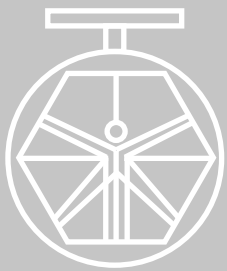
All the components can be substituted with equivalent or higher-class materials.

DAVINCI VALVES LTD, is constantly looking at all ways of improving our products and services related to the water, fire and industry sector and therefore we reserve the right to change, without prior notice, any of the data contained here. Please contact our Technical Sales Department for detailed advice.

© 2018 DAVINCI VALVES LTD.

www.davincivalves.com info@davincivalves.com +34 616553797 / +86 17340168233  
18 Dongyu Street, Square One 11th Floor 1101. Jinjiang District, Chengdu, Sichuan Province, China

ò ' " ' " ' ^ † • < ' • fž • TMS' TMC • \_ • • ' " † ó



DAVINCI  
VALVES™