

RESILIENT SEAT GATE VALVE GROOVE ENDS WITH ISO FLANGE ON TOP 200PSI UL/FM FIRE SYSTEMS

Ref.241A / 200PSI

GENERAL CHARACTERISTICS:

Range from ND50 up to ND300.

Full bore.

100% Tightness in both ways.

Minimum head loss.

Low torque values.

Epoxy paint 250 microns

STANDARDS:

Design: AWWA515

Groove Standard: Metric or AWWA C616

Pressure Test: EN 12266-1 Rate A.

EU directive 2014/68/EU

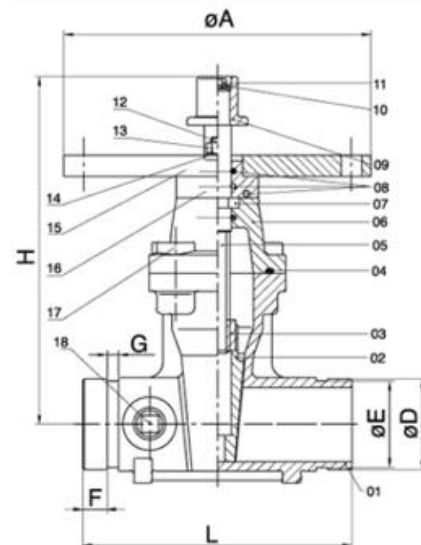
WORKING CONDITIONS:

Pressure Ratings: 200PSI

Working Temperature: -10C +100C

Suitable Media: Water

Consult for other applications



| ITEM | 2-1/2" | 3" | 4" | 5" | 6" | 8" | 10" | 12" |
|------|--------|------|-------|-------|-------|-------|-------|-------|
| L | 190 | 203 | 229 | 254 | 267 | 292 | 330 | 356 |
| H | 289 | 326 | 355 | 410 | 455 | 558 | 648 | 745 |
| øD | 76.1 | 88.9 | 114.3 | 141.3 | 168.3 | 219.1 | 273 | 323.9 |
| øE | 72.3 | 84.9 | 110.1 | 137 | 163.9 | 214.4 | 268.3 | 318.3 |
| F | 15.9 | 15.9 | 15.9 | 15.9 | 15.9 | 19 | 19 | 19 |
| G | 7.9 | 7.9 | 9.5 | 9.5 | 9.5 | 11.1 | 12.7 | 12.7 |
| øA | 305 | 305 | 305 | 305 | 305 | 305 | 305 | 305 |

| ITEM | PART | MATERIAL | ITEM | PART | MATERIAL | ITEM | PART | MATERIAL |
|------|--------|------------------|------|---------------|-----------|------|-----------------------|-----------|
| 1 | Body | DI GJS450 | 7 | Retainer Ring | C95400 | 13 | Blind Nut | Steel |
| 2 | Disc | DI GJS450 + EPDM | 8 | O-ring | EPDM | 14 | Plain Washer | Steel |
| 3 | Nut | BRONZE ASTM B62 | 9 | Scotch | DI GJS450 | 15 | Coupling Flange | DI GJS450 |
| 4 | Gasket | EPDM | 10 | Minipad | Steel | 16 | Platen | DI GJS450 |
| 5 | Stem | AISI420 | 11 | Boltsç | Steel | 17 | Countersunk Head Bolt | Steel |
| 6 | Cap | GJS450 | 12 | Bolt Stud | Steel | 18 | Plug | C95400 |

All the components can be substituted with equivalent or higher-class materials.

DAVINCI VALVES LTD, is constantly looking at all ways of improving our products and services related to the water, fire and industry sector and therefore we reserve the right to change, without prior notice, any of the data contained here. Please contact our Technical Sales Department for detailed advice.
© 2018 DAVINCI VALVES LTD.

www.davincivalves.com info@davincivalves.com +34 616553797 / +86 17340168233
18 Dongyu Street, Square One 11th Floor 1101. Jinjiang District, Chengdu, Sichuan Province, China