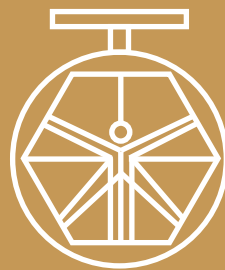


**GROUP 600
ACCESSORIES
MOD. 602/73**



**DAVINCI
VALVES™**

**TECHNICAL
DATA SHEET**
WATER Series

FLANGE OUTLET UNIVERSAL SADDLE

**DAVINCI
VALVES™**



**QUALITY
ASSUREMENT**

**DAVINCI
VALVES™**



**PRODUCT QT
ASSUREMENT**

**DAVINCI
VALVES™**



**COMPANY QT
ASSUREMENT**

www.davincivalves.com

18 Dongyu Street, Square One,
11th Floor 1101, Jinjiang District,
Chengdu, Sichuan CHINA

10F/Tower A, Billion Center,
1 Wang Kwong Road, Kowloon Bay
Kowloon HONG KONG

UNIVERSAL SADDLES WITH FLANGE OUTLET

Ref.602A / PN 10-16

APPLICATION:

Water, HVAC installations, irrigation, industry, others

WORKING CONDITIONS:

Working Temperature:

- 10 °C - + 120 °C. for EPDM

- 10 °C - + 82 °C. for NBR

GENERAL CHARACTERISTICS:

Powder Epoxy Cured coating 250 Mic

Stainless steel rubber insulated strap

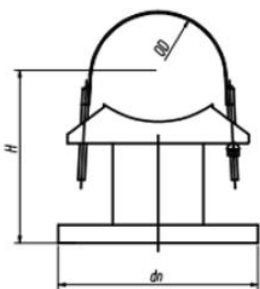
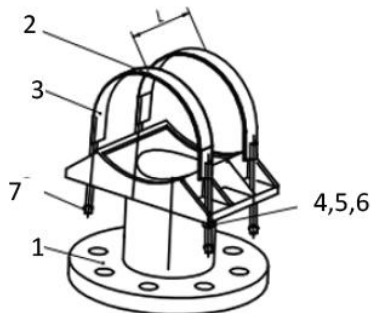
Favorable angle of contact

STANDARDS:

Comply with EN545 Pressure

Test: EN 12266-1. Body: 16 bar.

Flanged Outlet DIN2501- PN10-16



DN	00	DN	PN10	PN16	L	H	N-M
50	48-62	50	165	165	100	140	4-M12
65	57-78	50	165	165	100	150	4-M12
80	75-98	50	165	165	120	155	4-M12
80	75-98	65	185	185	120	155	4-M12
100	108-133	50	165	165	140	165	4-M12
100	108-133	65	185	185	140	165	4-M12
100	108-133	80	200	200	140	170	4-M12
125	122-146	50	165	165	120	180	4-M12
125	122-146	65	185	185	120	180	4-M12
125	122-146	80	200	200	155	185	4-M12
125	122-146	100	220	220	155	195	4-M12
150	158-177	50	165	165	145	190	4-M12
150	158-177	65	185	185	145	190	4-M12
150	158-177	80	200	200	145	200	4-M12
150	158-177	100	220	220	145	205	4-M12
200	206-235	80	200	200	210	225	4-M12
200	206-235	100	220	220	210	230	4-M12
200	206-235	150	285	285	210	245	6-M12
250	248-274	80	200	200	260	265	4-M12
250	248-274	100	220	220	260	270	4-M12
250	248-274	150	285	285	260	280	6-M12
250	248-274	200	340	340	260	290	6-M12
300	313-338	80	200	200	320	295	4-M12
300	313-338	100	220	220	320	300	4-M12
300	313-338	150	285	285	320	310	6-M12
300	313-338	200	340	340	320	320	6-M12
300	313-338	250	395	405	320	330	8-M12
500	508-532	100	220	220	155	405	4-M12

ITEM	MATERIAL
Body	Ductile Iron GJS450
Bands	S.Steel 304
Rubber	EPDM/NBR
Bolt & Nut	CS Dacromet
Washer	CS Dacromet
Nut	CS Dacromet
Caps	Plastic

All the components can be substituted with equivalent or higher-class materials.

DAVINCI VALVES LTD, is constantly looking at all ways of improving our products and services related to the water, fire and industry sector and therefore we reserve the right to change, without prior notice, any of the data contained here. Please contact our Technical Sales Department for detailed advice.
© 2018 DAVINCI VALVES LTD.

"For professionals who wants more"



DAVINCI
VALVES™