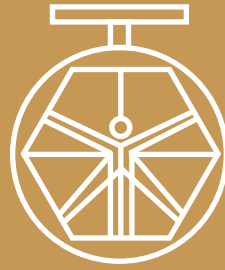


**GROUP 200
GATE VALVES
MOD. 200A/11**



**DAVINCI
VALVES™**

DATA SHEET

WATER Series

GATE VALVES METAL SEAT PN25-40

**DAVINCI
VALVES™**



**QUALITY
ASSUREMENT**

**DAVINCI
VALVES™**



**PRODUCT QT
ASSUREMENT**

**DAVINCI
VALVES™**



**COMPANY QT
ASSUREMENT**

www.davincivalves.com

18 Dongyu Street, Square One,
11th Floor 1101, Jinjiang District,
Chengdu, Sichuan CHINA

10F/Tower A, Billion Center,
1 Wang Kwong Road, Kowloon Bay
Kowloon HONG KONG

METAL TO METAL GATE VALVE NON RISING STEM FLANGED END

Ref.200 / PN 25-40-63-100

APPLICATION:

Water and sewage hydraulic installations, Industry, heating and others.

GENERAL CHARACTERISTICS:

Range from ND40 up to ND600.

Full bore. 100% Tightness in both ways.

Minimum head loss. Low torque values.

STANDARDS

Design according to DIN 3352.

Distance between flanges according to DIN3202-F5-F7

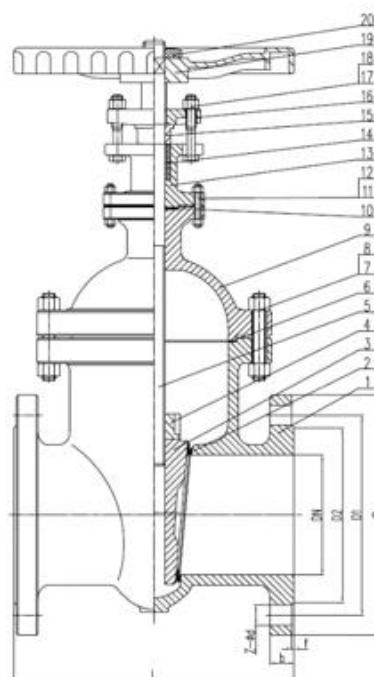
End flange Dimensions EN1092-1. PN10/16/25/40/63/100

Pressure Test DIN3230

WORKING CONDITIONS:

Maximum Working Pressure : 16-25-32-40-64-100 bar.

Metal Seat Working Temperature : - 10 °C / + 150 °C .



NO.	Name parts	Material	NO.	Name parts	Material
1	Body	ASTM A216 WCB	12	Nut	ASTM A194 2H
2	Sealing surface	13Cr	13	Yoke	ASTM A216 WCB
3	Disc	A126 WCB+13Cr	14	Packing	Graphite
4	Stem nut	Copper alloy	15	Packing gland	ASTM A182 F6a
5	Stem	ASTM A182 F6a	16	Gland plate	ASTM A216 WCB
6	Gasket	GRAPHTE+304	17	Gland eyebolt	ASTM A194 B7
7	Bonnet bolt	ASTM A193 B7	18	Nut	ASTM A194 2H
8	Nut	ASTM A194 2H	19	Handwheel	Duction iron
9	Bonnet	ASTM A216 WCB	20	Handwheel nut	Carbon steel
10	Gasket	GRAPHTE+304			
11	Bolt	ASTM A193 B7			

All the components can be substituted with equivalent or higher-class materials.

DAVINCI VALVES LTD, is constantly looking at all ways of improving our products and services related to the water, fire and industry sector and therefore we reserve the right to change, without prior notice, any of the data contained here. Please contact our Technical Sales Department for detailed advice.
© 2018 DAVINCI VALVES LTD.

METAL TO METAL GATE VALVE NON RISING STEM FLANGED END

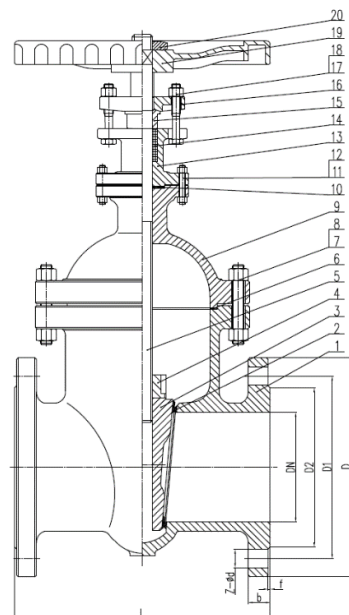
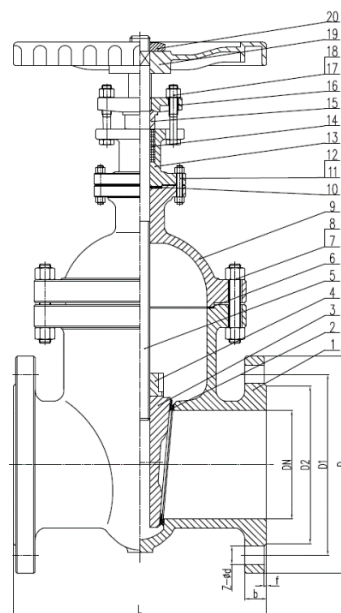
Ref.200 / PN PN 25-40-63-100

PN25

DN	D	D1	D2	Z-Ød	b	f	L
50	165	125	102	4-Ø18	20	3	250
65	185	145	122	8-Ø18	22	3	270
80	200	160	138	8-Ø18	24	3	280
100	235	190	162	8-Ø22	24	3	300
125	270	220	188	8-Ø26	26	3	325
150	300	250	218	8-Ø26	28	3	350
200	360	310	278	12-Ø26	30		
250				12-Ø33			
300				16-Ø33			
350				16-Ø36			
400				16-Ø39			
500				16-Ø42			
600				16-Ø48			

PN40

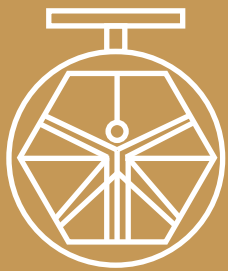
DN	D	D1	D2	Z-Ød	b	f	L
50	165	125	102	4-Ø18	20	3	250
65	185	145	122	8-Ø18	22	3	290
80	200	160	138	8-Ø18	24	3	310
100	235	190	162	8-Ø22	24	3	350
125	270	220	188	8-Ø26	26	3	400
150	300	250	218	8-Ø26	28	3	450
200	375	320	285	12-Ø30	34	3	550
250	450	385	345	12-Ø33	38	3	650
300	515	450	410	16-Ø33	42	4	750
350	580	510	465	16-Ø36	46	4	850
400	660	585	535	16-Ø39	50	4	950
500	755	670	615	16-Ø42	57	4	1150
600	890	795	735	16-Ø48	72	5	1350



All the components can be substituted with equivalent or higher-class materials.

DAVINCI VALVES LTD, is constantly looking at all ways of improving our products and services related to the water, fire and industry sector and therefore we reserve the right to change, without prior notice, any of the data contained here. Please contact our Technical Sales Department for detailed advice.
© 2018 DAVINCI VALVES LTD.

"For professionals who wants more"



DAVINCI
VALVES™

www.davincivalves.com