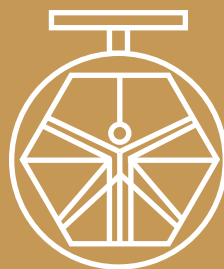


**GRUPO 200  
VÁLVULA DE  
COMPUERTA  
MOD. 241A/55**



**DAVINCI  
VALVES™**

# FICHA TECNICA

## FIRE Series

**VÁLVULA DE COMPUERTA DE  
CIERRE ELÁSTICO RANURADA CON  
BRIDA ISO 300PSI C515 UL/FM**

**DAVINCI  
VALVES™**



**QUALITY  
ASSUREMENT**

**DAVINCI  
VALVES™**



**PRODUCT QT  
ASSUREMENT**

**DAVINCI  
VALVES™**



**COMPANY QT  
ASSUREMENT**

[www.davincivalves.com](http://www.davincivalves.com)

18 Dongyu Street, Square One,  
11th Floor 1101, Jinjiang District,  
Chengdu, Sichuan CHINA

10F/Tower A, Billion Center,  
1 Wang Kwong Road, Kowloon Bay  
Kowloon HONG KONG

## RESILIENT SEAT GATE VALVE RISING STEM GROOVE ENDS 300PSI WITH ISO FLANGE UL / FM FIRE SYSTEMS Ref.241A / 300PSI

### GENERAL CHARACTERISTICS:

Range from ND50 up to ND300.  
Full bore.  
100% Tightness in both ways.  
Minimum head loss.  
Low torque values.  
Epoxy paint 250 microns

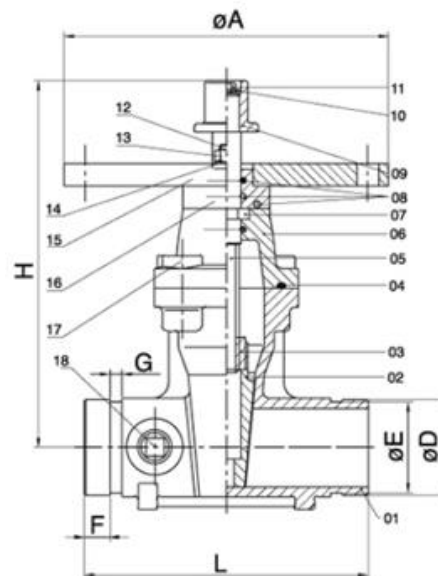
### WORKING CONDITIONS:

Pressure Ratings: 300PSI  
Working Temperature: -10C +100C  
Suitable Media: Water  
Consult for other applications

### STANDARDS:

Design: AWWA515  
Groove Standard: Metric or AWWA C616  
Pressure Test: EN 12266-1 Rate A.  
EU directive 2014/68/EU

ITEM	2"	2-1/2"	3"	4"	5"	6"	8"	10"	12"
L	178	190	203	229	254	267	292	330	356
H	313	340	387	440	546	607	786	946	1110
φA	180	200	220	250	280	300	350	406	406
φD	60.3	76.1	88.9	114.3	141.3	168.3	219.1	273	323.9
φE	57.2	72.3	84.9	110	137	163.9	214.4	268.3	318.3
F	15.9	15.9	15.9	15.9	15.9	15.9	19	19	19
G	7.9	7.9	7.9	9.5	9.5	9.5	11.1	12.7	12.7



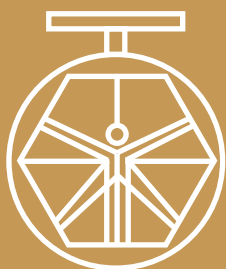
ITEM	PART	MATERIAL	ITEM	PART	MATERIAL	ITEM	PART	MATERIAL
1	Body	DI GJS450	7	Retainer Ring	C95400	13	Blind Nut	Steel
2	Disc	DI GJS450 + EPDM	8	O-ring	EPDM	14	Plain Washer	Steel
3	Nut	BRONZE ASTM B62	9	Scotch	DI GJS450	15	Coupling Flange	DI GJS450
4	Gasket	EPDM	10	Minipad	Steel	16	Platen	DI GJS450
5	Stem	AISI420	11	Boltsç	Steel	17	Countersunk Head Bolt	Steel
6	Cap	GJS450	12	Bolt Stud	Steel	18	Plug	C95400

All the components can be substituted with equivalent or higher-class materials.

DAVINCI VALVES LTD, is constantly looking at all ways of improving our products and services related to the water, fire and industry sector and therefore we reserve the right to change, without prior notice, any of the data contained here. Please contact our Technical Sales Department for detailed advice.  
© 2018 DAVINCI VALVES LTD.

www.davincivalves.com info@davincivalves.com +34 616553797 / +86 17340168233  
18 Dongyu Street, Square One 11th Floor 1101. Jinjiang District, Chengdu, Sichuan Province, China

*"For professionals who wants more"*



DAVINCI  
VALVES™