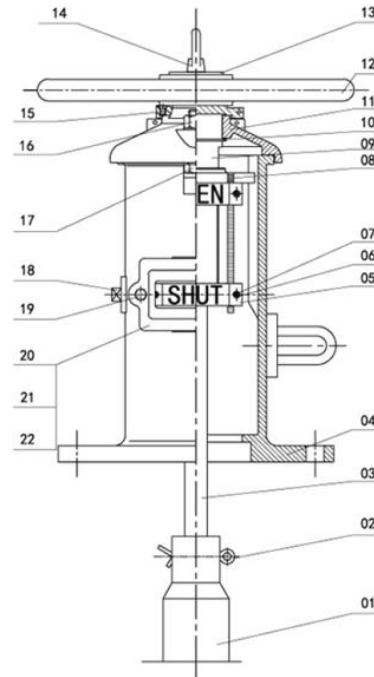


WALL TYPE INDICATOR POST UL/FM FIRE SYSTEMS

Ref.240A

Installation Instruction:

- Unload the upper cover of control lead
- Measure control lead depth, remove the excess part of connector lead and driving rod
- Fit the control rod with full closed valve, turn the position plate to SHUT position
- Load upper cover



NO.	ITEM	Qty.	Material	Remark
1	Joint	1	CI	ASTM A126
2	Cotter Pin	1	1035	ASTM A29
3	Driving Rod	1	1045	ASTM A29
4	Main Body	1	CI	ASTM S12A
5	Indicator Plate	4	A413.0	ASTM A29
6	Nut, Gasket	4	1035	ASTM A29
7	Stud Bolt	4	1035	ASTM A276
8	Position Bracket	1	SS304	ASTM A276
9	Driver	1	SS304	ASTM A29
10	Retaining Ring for Stem	1	1566	ASTM A126
11	Upper Cover	1	CI	ASTM A126
12	Handwheel	11	CI	ASTM A126
13	Gasket	1	A283 Gr.c	ASTM A36
14	Lift Ring	1	1035	ASTM A29
15	Screw	1	1035	ASTM A29
16	Nut	2	1035	ASTM A29
17	Bolt	2	1035	ASTM A29
18	Screwed Plug	1	1035	ASTM A29
19	Bolt, Flat Gasket	4	SS304	ASTM A276
20	Keyhole Plate	2	A283 Gr.c	ASTM A36
21	Keyhole	2	Organic glass	
22	Keyhole Plate Gasket	2	EPDM	ASTM D2000

All the components can be substituted with equivalent or higher-class materials.

DAVINCI VALVES LTD, is constantly looking at all ways of improving our products and services related to the water, fire and industry sector and therefore we reserve the right to change, without prior notice, any of the data contained here. Please contact our Technical Sales Department for detailed advice.
© 2018 DAVINCI VALVES LTD.