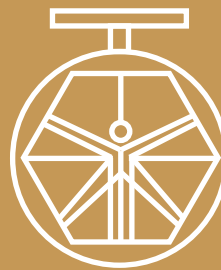


**GROUP 500  
AUTOMATIC  
CONTROL  
VALVES MOD.  
501C/97**



**DAVINCI  
VALVES™**

**TECHNICAL  
DATA SHEET**  
**WATER Series**

**AIR RELIEF VALVES  
FLANGED END TRIPLE FUNCTION**

**DAVINCI  
VALVES™**



**QUALITY  
ASSUREMENT**

**DAVINCI  
VALVES™**



**PRODUCT QT  
ASSUREMENT**

**DAVINCI  
VALVES™**



**COMPANY QT  
ASSUREMENT**

[www.davincivalves.com](http://www.davincivalves.com)

18 Dongyu Street, Square One,  
11th Floor 1101, Jinjiang District,  
Chengdu, Sichuan CHINA

10F/Tower A, Billion Center,  
1 Wang Kwong Road, Kowloon Bay  
Kowloon HONG KONG

## AIR RELIEF VALVE TRIPLE FUCTION PN10/16

ref.501C / PN 10-16

### APPLICATION:

Potable water distribution and pumping,  
irrigation

### STANDARDS:

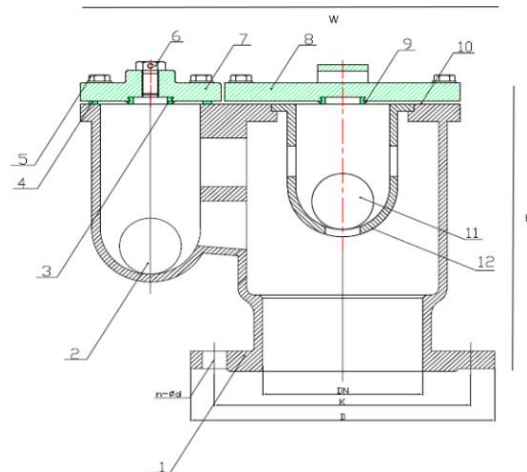
Hydrostatic test according to EN 12266-1, class A.  
EC directive  
Construction according to EN 1074-4 and AWWA C512  
Flanged according to ISO 7005-2

### WORKING CONDITIONS:

Pressure Ratings: 1.0Mpa; 1.6Mpa  
Working Temperature: -10C +100C  
Suitable Media: Water  
End connection: PN 10/ PN 16  
Consult Factory for other applications

### GENERAL CHARACTERISTICS:

Range from ND50 up to ND200  
WRAS certificate for Drinking Water (Rubber and paint)  
Epoxy paint cured 250 microns



### DIMENSIONS

Nº	ITEM	QTY	MATERIAL
1	Body	1	Stainless Steel
2	Ball	1	ABS
3	Seal Ring	1	EPDM
4	Gasket	1	EPDM
5	Screw	10	Ductile Iron
6	Orifice Cover	1	Ductile Iron
7	Right bonnet	1	Carbon Steel
8	Left bonnet	1	Carbon Steel
9	Seal Ring	1	EPDM
10	Gasket	1	EPDM
11	Ball	1	ABS
12	Inner Body	1	Ductile Iron

DN	H	W	K	D	n-d
50	225	240	125	165	4-19
65	230	240	145	185	4-19
80	250	250	160	200	8-19
100	265	270	180	220	8-19
150	360	350	240	285	8-23
200 PN10	440	420	295	340	8-23
200 PN16	440	420	295	340	12-23

*All the components can be substituted with equivalent or higher-class materials.*

DAVINCI VALVES LTD, is constantly looking at all ways of improving our products and services related to the water, fire and industry sector and therefore we reserve the right to change, without prior notice, any of the data contained here. Please contact our Technical Sales Department for detailed advice.  
© 2018 DAVINCI VALVES LTD.

www.davincivalves.com info@davincivalves.com +34 616553797 / +86 17340168233  
18 Dongyu Street, Square One 11th Floor 1101. Jinjiang District, Chengdu, Sichuan Province, China

*"For professionals who wants more"*



DAVINCI  
VALVES™