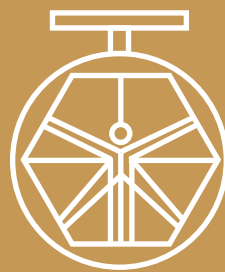


**GROUP 400
CHECK
VALVES
MOD.
460C/28.3**



**DAVINCI
VALVES™**

**TECHNICAL
DATA SHEET**
WATER Series

FOOT CHECK VALVES

**DAVINCI
VALVES™**



**QUALITY
ASSUREMENT**

**DAVINCI
VALVES™**



**PRODUCT QT
ASSUREMENT**

**DAVINCI
VALVES™**



**COMPANY QT
ASSUREMENT**

www.davincivalves.com

18 Dongyu Street, Square One,
11th Floor 1101, Jinjiang District,
Chengdu, Sichuan CHINA

10F/Tower A, Billion Center,
1 Wang Kwong Road, Kowloon Bay
Kowloon HONG KONG

FOOT CHECK VALVE FLANGED END

Ref.460 / PN 10-16

APPLICATION:

Mainly used for Fresh Water, Sea water, all kinds of oil, acid, alkaline liquid etc

GENERAL CHARACTERISTICS:

Range from ND50 up to ND300.

WRAS certificate for Drinking Water (Rubber and paint) available

Minimum head loss.

Epoxy paint 250 microns: RAL 5015.

WORKING CONDITIONS:

Pressure Ratings: 1.0Mpa; 1.6Mpa

Working Temperature: NBR -10C° +80C° EPDM -10C° +120C°

Flow Media: Fresh Water, Sea water, all kinds of oil, acid, alkaline liquid

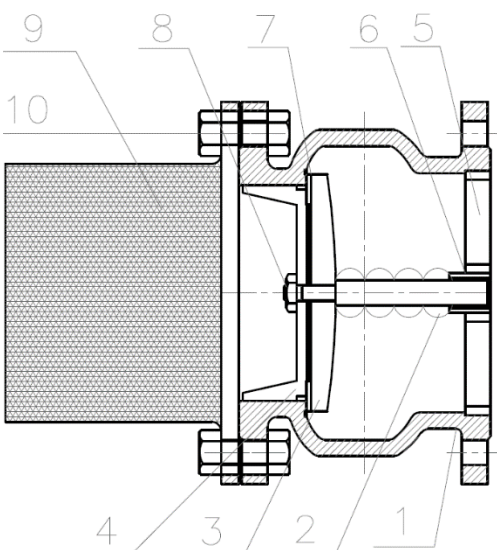
STANDARDS:

End Connections: PN10, PN16.

Comply with EN 558-1, ISO 5752

and EN 1092-2, ISO 7005-2 flange dimension.

Pressure test according to standards: API598 DIN3230 EN12266-1



ND	H screen	L	Weight
050(2")	109	120	5
065(2-1/2")	126	130	6,5
080(3")	130	155	8,5
100(4")	150	165	9,5
125(5")	167	190	13
150(6")	180	210	17
200(8")	195	255	26
250(10")	275	275	44
300(12")	310	310	73

ITEM	PART	MATERIAL
1	Body	GJS400
2	Spring	ss304
3	Broach	GJS400
4	Three-Jaw	GJS400
5	Circle ring	GJS400
6	Shaft Sleeve	Brass
7	Seat	EPDM/NBR
8	Bolts	4,8 CS ZN
9	Filter	Screen 304
10	Bolts	4,8 CS ZN

*other materials aviable under request

All the components can be substituted with equivalent or higher-class materials.

DAVINCI VALVES LTD, is constantly looking at all ways of improving our products and services related to the water, fire and industry sector and therefore we reserve the right to change, without prior notice, any of the data contained here. Please contact our Technical Sales Department for detailed advice.
© 2018 DAVINCI VALVES LTD.

www.davincivalves.com info@davincivalves.com +34 616553797 / +86 17340168233
18 Dongyu Street, Square One 11th Floor 1101. Jinjiang District, Chengdu, Sichuan Province, China

"For professionals who wants more"



DAVINCI
VALVES™