



## GATE VALVE THREAD END

Ref.201A

### APLICACION:

Industry, Water

### GENERAL CHARACTERISTICS:

Range from 1/4" up to 2".

Manufacture acc. to the requirements of the EU directive 2014/68/EU Equipements under pressure:

Cat. III mod. H

### STANDARDS:

Pressure Test : EN 12266-1, DIN 3230, BS6755 y ISO 5208:

Investment casting, Precise Grinding

Thread ASME B 1.20.1 BSz21.DIN2999/259

Inspection testing API598,EN12266

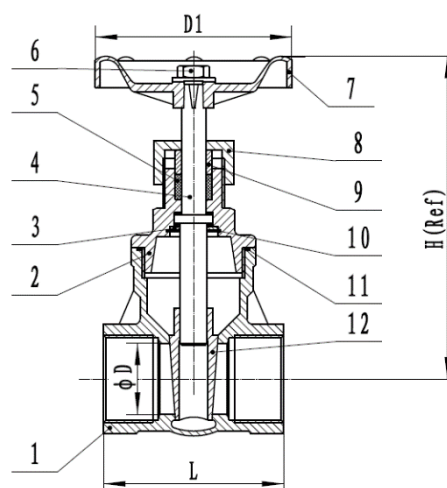
### WORKING CONDITIONS:

Maximum Working Pressure: 200PSI/PN16

Max.Working Temperature : +180

Suitable Media: Water, Oil, Others

Consult Factory for specific applications



ITEM	DESIGNATION	MATERIAL
1	BODY	CF8/CF8M
2	BONNET	CF8/CF8M
3	STOP RING	304
4	STEM	304
5	PACKING	PTFE
6	HANDWHEEL NUT	304
7	HANDWHEEL NUT	ALUMINUM
8	PACKING NUT	304
9	RING	304
10	LOCK NUT	304
11	GASKET	PTFE
12	BALL	CF8/CF8M

DN	D	H	D1	L
1/4"	5	39	31	65
3/8"	6,8	44	36	85
1/2"	9,2	56,5	41	95
3/4"	12,5	59	44	95
1"	15	71	48	111
1.1/4"	20	78	54	111
1.1/2"	25	83	65	135
2"	32	100	72	135
2.1/2"	38	120	80	154
3"	50	140	100	191
4"	64	170	129	246

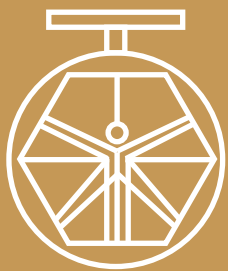
All the components can be substituted with equivalent or higher-class materials.

DAVINCI VALVES LTD, is constantly looking at all ways of improving our products and services related to the water, fire and industry sector and therefore we reserve the right to change, without prior notice, any of the data contained here. Please contact our Technical Sales Department for detailed advice.

© 2018 DAVINCI VALVES LTD.

www.davincivalves.com info@davincivalves.com +34 616553797 / +86 17340168233

*"For professionals who wants more"*



DAVINCI  
VALVES™