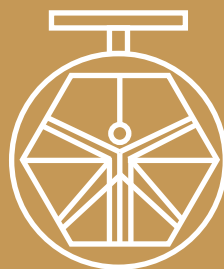


**GROUP 400  
CHECK  
VALVES  
MOD. 460/28**



**DAVINCI  
VALVES™**

**TECHNICAL  
DATA SHEET**

**WATER Series**

**NOZZLE CHECK VALVES  
AXIAL TYPE**

**DAVINCI  
VALVES™**



**QUALITY  
ASSUREMENT**

**DAVINCI  
VALVES™**



**PRODUCT QT  
ASSUREMENT**

**DAVINCI  
VALVES™**



**COMPANY QT  
ASSUREMENT**

[www.davincivalves.com](http://www.davincivalves.com)

18 Dongyu Street, Square One,  
11th Floor 1101, Jinjiang District,  
Chengdu, Sichuan CHINA

10F/Tower A, Billion Center,  
1 Wang Kwong Road, Kowloon Bay  
Kowloon HONG KONG

## NON-SLAM CHECK VALVE FLANGED END

Ref.460 / PN 10-16-25

### GENERAL CHARACTERISTICS:

High strength ductile iron body used for durability and less weight.

·Advanced dynamic design of single body with diffuser provides streamline flow and assures lower head loss.

·One of the lowest head loss check valve, big save in pumping power cost, valve disc with shorter stroker and spring reverse faster than most of check valve.

·Coated with powder epoxy both inside & Outside for corrosion resistance.

·Bronze bushing reduce wearing problem during operation.

·Hydrodynamic design with spring ensures non slamming and water hammerless.

·Stainless steel spring hidden in the diffuser under protection while valve in operation.

·Disc will positively close before reverse flow, and maximize the closing speed up to 0.2 Sec.

· Installation can be vertical/horizontal/ inclined. For size DN800 and up preferred vertical installation



### APPLICATION:

Mainly used for clean water, precleaned sewage water, Fire-fighting, Irrigation, Cooling and HVAC System.

### WORKING CONDITIONS:

Pressure Ratings: 1.0Mpa; 1.6Mpa; 2.5Mpa.  
Working Temperature: -10C-80C  
Flow Media: Clean Water

### STANDARDS:

Size Range: DN50-1200mm  
End Connections: PN10, PN16, PN25.  
Comply with EN 558-1, ISO 5752 and EN 1092-2, ISO 7005-2 flange dimension.

*All the components can be substituted with equivalent or higher-class materials.*

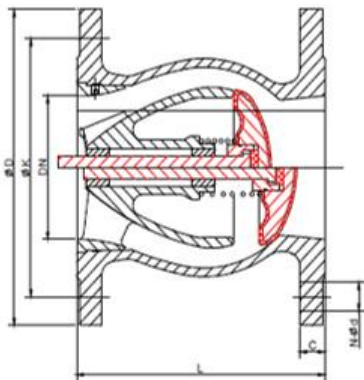
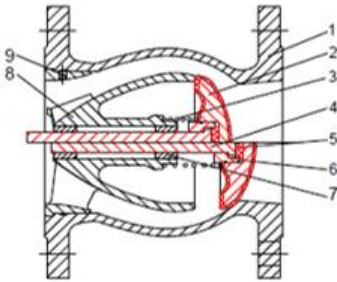
DAVINCI VALVES LTD, is constantly looking at all ways of improving our products and services related to the water, fire and industry sector and therefore we reserve the right to change, without prior notice, any of the data contained here. Please contact our Technical Sales Department for detailed advice.  
© 2018 DAVINCI VALVES LTD.

www.davincivalves.com info@davincivalves.com +34 616553797 / +86 17340168233  
18 Dongyu Street, Square One 11th Floor 1101. Jinjiang District, Chengdu, Sichuan Province, China

## NON-SLAM CHECK VALVE FLANGED END

Ref.460 / PN 10-16-25

### Main valve for DN050-DN350



No.	Part	Material	Standard
1	Body	Ductile iron	GJS 500-7
2	Disc	Ductile iron+rubber	GJS 500-7+EPDM
3	Spring	Stainless Steel	AISI 304/316
4	Stem	Stainless Steel	AISI 420/304/316
5	Washer	Rubber	EPDM
6	Nut	Stainless Steel	AISI 420/304
7	Bushing	Bronze	C61900
8	Diffuser	Ductile iron	GJS 500-7
	Set		
9	Screw	Stainless Steel	AISI 304



DN	L (F/F)	φD			φK			n-φd			C	
		PN10	PN16	PN25	PN10	PN16	PN25	PN10	PN16	PN25	PN10/16	PN25
50	150		165			125		4-19			19	
65	170		185			145		4-19		8-18	19	
80	180		200			160		8-19		8-19	19	
100	190			220	235	180	190	8-19		8-23	19	
125	200		250		270	210	220	8-23		8-28	19	23.5
150	210		285		300	240	250	8-23		8-28	19	26
200	230		340		360	295	310	8-23	12-23	12-31	20	30
250	250	395	405	425	350	355	370	12-23	12-28	16-34	22	34.5
300	270	445	460	485	400	410	430	12-23	12-28	16-34	24.5	39.5
350	290	505	520	555	460	470	490	16-23	16-28	16-37	24.5	44

All the components can be substituted with equivalent or higher-class materials.

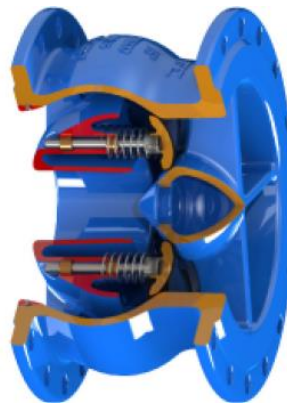
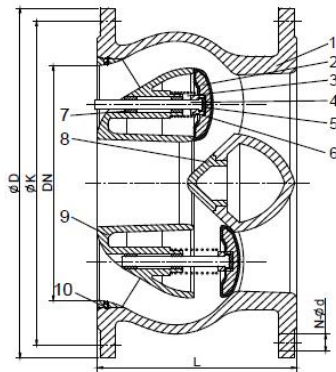
DAVINCI VALVES LTD, is constantly looking at all ways of improving our products and services related to the water, fire and industry sector and therefore we reserve the right to change, without prior notice, any of the data contained here. Please contact our Technical Sales Department for detailed advice.  
© 2018 DAVINCI VALVES LTD.

www.davincivalves.com info@davincivalves.com +34 616553797 / +86 17340168233  
18 Dongyu Street, Square One 11th Floor 1101. Jinjiang District, Chengdu, Sichuan Province, China

## NON-SLAM CHECK VALVE FLANGED END

Ref.460 / PN 10-16-25

### Main valve for DN400-DN1200



No.	Part	Material	Standard
1	Body	Ductile iron	GJS 500-7
2	Disc	Ductile iron+rubber	GJS 500-7+EPDM
3	Spring	Stainless Steel	AISI 304/316
4	Stem	Stainless Steel	AISI 420/304
5	Washer	Plastic	Nylon
6	Nut	Stainless Steel	AISI 304
7	Bushing	Bronze	C61900
8	Plug	Ductile iron	GJS 500-7
9	Diffuser	Ductile iron	GJS 500-7
10	Set Screw	Stainless Steel	AISI 304

DN	L (F/F)	φD			φK			n-φd			C		
		PN10	PN16	PN25	PN10	PN16	PN25	PN10	PN16	PN25	PN10	PN16	PN25
400	310	565	580	620	515	525	550	16-28	16-31	16-41	24.5	24.5	48
450	330	615	640	670	565	585	600	20-28	20-31	20-41	25.5	25.5	49
500	350	670	715	730	620	650	660	20-28	20-34	20-44	26.5	26.5	52
600	390	780	840	845	725	770	770	20-31	20-37	20-50	30	30	58
700	430	910	910	960	840	840	875	24-31	24-37	24-43	39.5	39.5	46.5
800	470	1025	1025	1085	950	950	990	24-34	24-40	24-49	43	43	51
900	510	1125	1125	1185	1050	1050	1090	28-34	28-40	28-49	46.5	46.5	55.5
1000	550	1230	1255	1320	1160	1170	1210	28-37	28-43	28-56	40	50	60
1200	630	1455	1485	1530	1380	1390	1420	32-40	32-49	32-56	45	57	69

All the components can be substituted with equivalent or higher-class materials.

DAVINCI VALVES LTD, is constantly looking at all ways of improving our products and services related to the water, fire and industry sector and therefore we reserve the right to change, without prior notice, any of the data contained here. Please contact our Technical Sales Department for detailed advice.  
© 2018 DAVINCI VALVES LTD.

www.davincivalves.com info@davincivalves.com +34 616553797 / +86 17340168233  
18 Dongyu Street, Square One 11th Floor 1101. Jinjiang District, Chengdu, Sichuan Province, China

*"For professionals who wants more"*



DAVINCI  
VALVES™