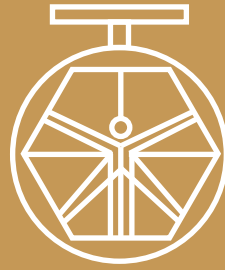


**GROUP 100
BUTTERFLY
VALVES
MOD. 100A/01**



**DAVINCI
VALVES™**

TECHNICAL DATA SHEET

WATER Series

**BUTTERFLY VALVES WAFER TYPE
CENTER STEM**

**DAVINCI
VALVES™**



**QUALITY
ASSUREMENT**

**DAVINCI
VALVES™**



**PRODUCT QT
ASSUREMENT**

**DAVINCI
VALVES™**



**COMPANY QT
ASSUREMENT**

www.davincivalves.com

18 Dongyu Street, Square One,
11th Floor 1101, Jinjiang District,
Chengdu, Sichuan CHINA

10F/Tower A, Billion Center,
1 Wang Kwong Road, Kowloon Bay
Kowloon HONG KONG

WAFFER BUTTERFLY VALVE SERIE 20 PN10/16/ANSI150 WITH LEVER

ref.100A / PN 10-16-ANSI150#

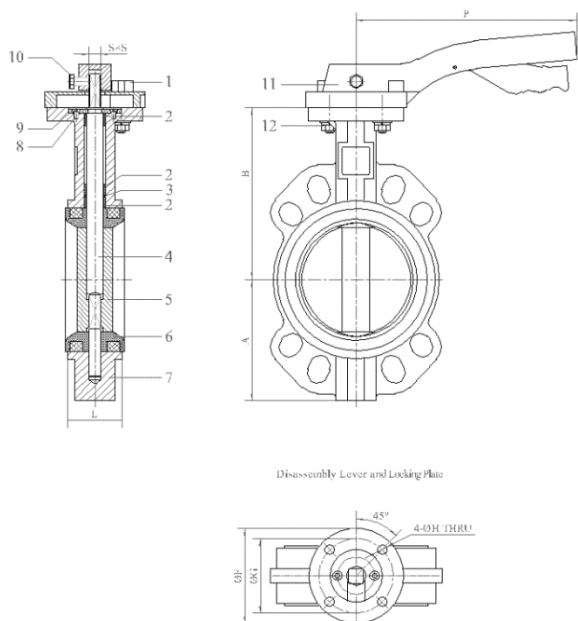


APPLICATION:

Water, HVAC installations, pressurized air, industry, etc.

GENERAL CHARACTERISTICS:

Concentric Disc Valves.
 Range from ND40 up to ND600.
 Tightness in both ways.
 Long neck for heat-insulated installations.
 One-piece shaft. Avoid breakage due to water hammer.
 Cartridge Seat for easy replacement.
 Does not need joints for installation.
 Low load loss.
 Top Flange according to ISO 5211.
 10 position's lever.



ITEM	DESCRIPTION	MATERIAL
1	Locking Plate	ALUMINIUM
2	Bushing	PTFE
3	O-Rings	EPDM
4	Stem	SS420
5	Disc	GJS400 / CF8M
6	Seat	EPDM
7	Body	GJS400
8	Screw	A2
9	Thrust Washer	C.STEEL
10	Screw	A2
11	Lever	ALUMINIUM
12	Bolt & Nut	A2

All the components can be substituted with equivalent or higher-class materials.

DAVINCI VALVES LTD, is constantly looking at all ways of improving our products and services related to the water, fire and industry sector and therefore we reserve the right to change, without prior notice, any of the data contained here. Please contact our Technical Sales Department for detailed advice.

© 2018 DAVINCI VALVES LTD.

www.davincivalves.com info@davincivalves.com +34 616553797 / +86 17340168233
 18 Dongyu Street, Square One 11th Floor 1101. Jinjiang District, Chengdu, Sichuan Province, China

WAFFER BUTTERFLY VALVE SERIE 20 PN10/16/ANSI150 WITH LEVER

ref.100A / PN 10-16-ANSI150#

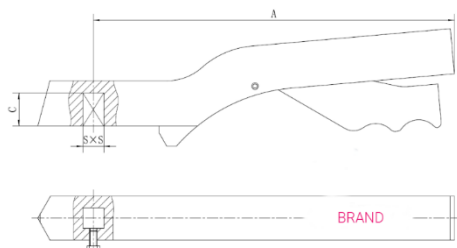
DIMMENSION TABLE

DN	A	B	ØF	ØG	ØH	L	S×S	P
40	70	124	65	50	7	33	9×9	198
50	76	129	65	50	7	42	9×9	198
65	89	136	65	50	7	45	9×9	198
80	95	144	65	50	7	45	9×9	198
100	114	162	90	70	9.5	52	11×11	270
125	127	188	90	70	9.5	54	14×14	270
150	139	204	90	70	9.5	56	14×14	270
200	177	238	90	70	9.5	60	17×17	270
250	203	282	125	102	11.5	66	22×22	540
300	242	311	125	102	11.5	77	22×22	540

STANDARDS:

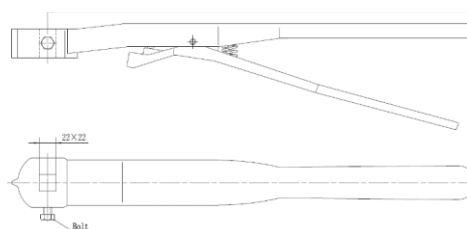
Design: BS EN 593.
 Face to Face: EN 558-1 Serie 20, ISO 5272 Serie 20, DIN 3202.
 Mounting between flanges: PN10 / PN16 EN 1092-2, BS450, ANSI B16.1-5
 Pressure Test: EN 12266-1, DIN 3230, BS6755 y ISO 5208:
 Body: 24 bars. Seat: 17,6 bars.
 Manufacture acc. to the requirements of the EU directive 2014/68/EU Equipment under pressure: mod. H.

ALUMINUM LEVER DN040 TO DN200



DN200	270	17	22
DN125-DN150	270	14	22
DN100	270	11	22
DN40-DN80	198	9	20
DN	A	S	C Min

CAST IRON LEVER DN250/300



DN250-300	540	22	22
DN	A	S	C Min

WORKING CONDITIONS (EPDM):

Maximum Working Pressure: 16 bar.
 Maximum Working Temperature: -10 °C / +120 °C.
 Peak Temperature: -15 °C / 130 °C.



All the components can be substituted with equivalent or higher-class materials.

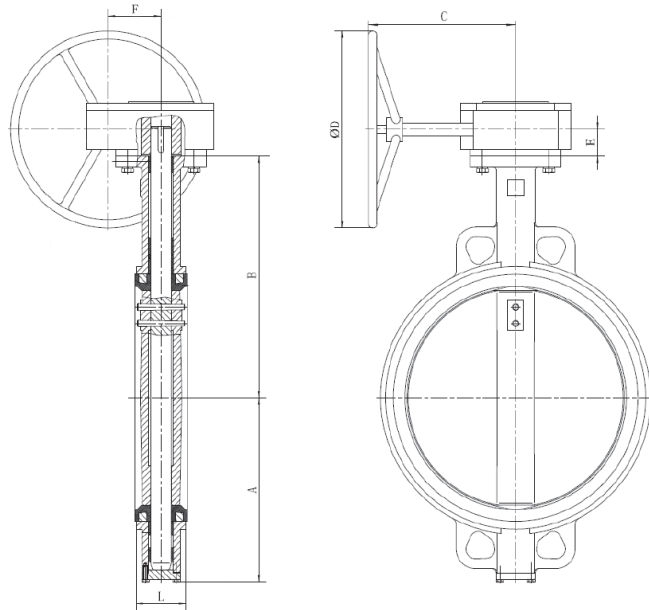
DAVINCI VALVES LTD, is constantly looking at all ways of improving our products and services related to the water, fire and industry sector and therefore we reserve the right to change, without prior notice, any of the data contained here. Please contact our Technical Sales Department for detailed advice.

© 2018 DAVINCI VALVES LTD.

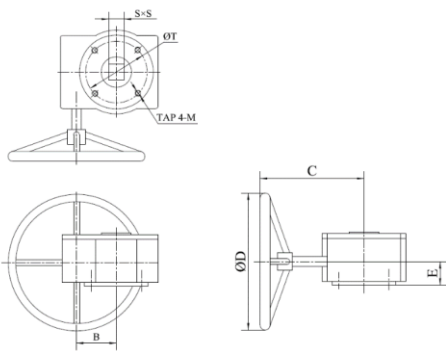
www.davincivalves.com info@davincivalves.com +34 616553797 / +86 17340168233
 18 Dongyu Street, Square One 11th Floor 1101. Jinjiang District, Chengdu, Sichuan Province, China

WAFLER BUTTERFLY VALVE SERIE 20 PN10/16/ANSI150 WITH GEAR BOX

ref.100A / PN 10-16-ANSI150#



GEAR BOX DIMMENSIONS



ND	A	B	C	D	E	F	L	ISO FLANGE FREE SHAFT
40	79	145	144	260	27	43	33	F5
50	85	162					43	F5
65	98	174					45	F5
80	104	181					45	F5
100	123	200					52	F5
125	136	213					54	F7
150	148	225	208	360	39	66	56	F7
200	186	260					60	F7
250	212	292					66	F7
300	251	337	225	360	37	80	77	F10
350	277	368	226	81	42	81	77	F10
400	308	400	217	125	48	95	86	F12
450	342	422	217	125	48	95	105	F12
500	374	479	320	360	115	185	130	F16
600	459	562	335	360	120	185	152	F16

DN	B	C	ØD	E	S	ØT	M
40~80	43	144	138	27	9	50	M6
100					11	70	M8
125~150					14	70	M8
200	66	208	278	39	17	70	M8
250					22	102	M10
300~350	80	225	278	37	22	102	M10
400~450	98	291	376	52	27	165	M20



All the components can be substituted with equivalent or higher-class materials.

DAVINCI VALVES LTD, is constantly looking at all ways of improving our products and services related to the water, fire and industry sector and therefore we reserve the right to change, without prior notice, any of the data contained here. Please contact our Technical Sales Department for detailed advice.

© 2018 DAVINCI VALVES LTD.

www.davincivalves.com info@davincivalves.com +34 616553797 / +86 17340168233
18 Dongyu Street, Square One 11th Floor 1101. Jinjiang District, Chengdu, Sichuan Province, China

"For professionals who wants more"



DAVINCI
VALVES™