

MJ FLANGED SOCKET DI

Ref.1000A / PN 10-16

APPLICATION:

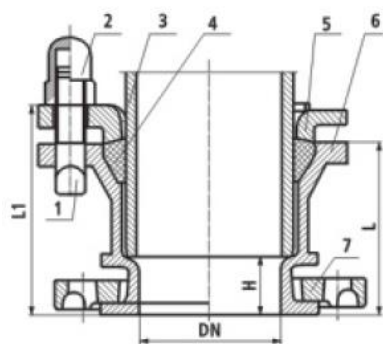
Water, HVAC installations, irrigation, industry, others

GENERAL CHARACTERISTICS:

Size OD60 to OD800,
working pressure PN10/PN16
Bitumen coating / EPOXY 250 Mic

WORKING CONDITIONS:

Working Temperature:
- 10 °C - + 100 °C. for EPDM
- 10 °C - + 82 °C. for NBR



STANDARDS:

Comply with EN545
Coating standard EN30677
Pressure Test: EN 12266-1
Body: 16 bar.

Short Socket

Long Socket

DN	H	L	L1	DN	H	L	L1
60	41	121	141	60	41	190	210
80	41	121	141	80	41	202	222
100	41	121	143	100	41	202	224
125	42.5	132.5	154.5	125	42.5	202	224
150	45	135	157	150	45	225	247
200	50	140	164	200	50	250	274
250	55	145	171	250	55	275	301
300	60	160	186	300	60	300	326
350	66	166	193	350	66	316	343
400	68	168	197	400	68	328	357
450	74	184	218	450	74	360	394
500	78	188	224	500	78	390	426
600	85	205	242	600	85	410	447
700	89	219	262				
800	95	235	280				

NO.	PART	MATERIAL
1	Bolt	Carbon Steel
2	Nut	Carbon Steel
3	Spigot	QT500-7
4	Seal Ring	EPDM
5	Gland	QT500-7
6	Flanged Socket	QT500-7
7	Loose Flange	QT500-7

All the components can be substituted with equivalent or higher-class materials.

DAVINCI VALVES LTD, is constantly looking at all ways of improving our products and services related to the water, fire and industry sector and therefore we reserve the right to change, without prior notice, any of the data contained here. Please contact our Technical Sales Department for detailed advice.
© 2018 DAVINCI VALVES LTD.

www.davincivalves.com info@davincivalves.com +34 616553797 / +86 17340168233
18 Donquy Street, Square One 11th Floor 1101, Jinjiang District, Chengdu, Sichuan Province, China