

**GROUP 200  
GATE VALVES  
MOD. 261A/57**



**DAVINCI  
VALVES™**

**TECHNICAL  
DATA SHEET**

**FIRE Series**

**SYSTEM UL/FM  
RISING STEM  
FLANGED/GROVED ENDS 300PSI**

**DAVINCI  
VALVES™**



**QUALITY  
ASSUREMENT**

**DAVINCI  
VALVES™**



**PRODUCT QT  
ASSUREMENT**

**DAVINCI  
VALVES™**



**COMPANY QT  
ASSUREMENT**

[www.davincivalves.com](http://www.davincivalves.com)

18 Dongyu Street, Square One,  
11th Floor 1101, Jinjiang District,  
Chengdu, Sichuan CHINA

10F/Tower A, Billion Center,  
1 Wang Kwong Road, Kowloon Bay  
Kowloon HONG KONG

## RESILIENT SEAT GATE VALVE RISING STEM FLANGED X GROOVED END 300PSI UL/FM FIRE SYSTEMS Ref.261A / 300PSI

### STANDARDS:

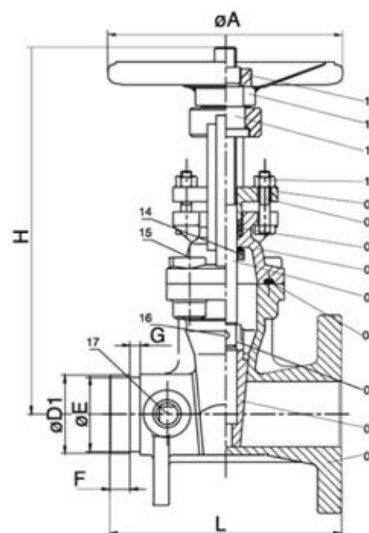
Design: AWWA515  
 Flange standard: ASME/ANSI B16.1 Class 125 or ASME/ANSI B16.42 Class 150 or BS EN1092-2 PN16  
 Groove Standard: Metric or AWWA C606  
 Pressure Test: EN 12266-1 Rate A.

### GENERAL CHARACTERISTICS:

Range from ND50 up to ND300.  
 100% Tightness in both ways.  
 Minimum head loss.  
 Low torque values.  
 Epoxy paint 250 microns

### WORKING CONDITIONS:

Pressure Ratings: 300PSI  
 Working Temperature: -10C +100C  
 Suitable Media: Water  
 Consult for other applications



ITEM	2"	2-1/2"	3"	4"	5"	6"	8"	10"	12"
L	178	190	203	229	254	267	292	330	356
H	313	340	387	440	546	607	786	946	1110
φA	180	200	220	250	280	300	350	406	406
φD1	60.3	76.1	88.9	114.3	141.3	168.3	219.1	273	323.9
φE	57.2	72.3	84.9	110	137	163.9	214.4	268.3	318.3
F	15.9	15.9	15.9	15.9	15.9	15.9	19	19	19
G	7.9	7.9	7.9	9.5	9.5	9.5	11.1	12.7	12.7

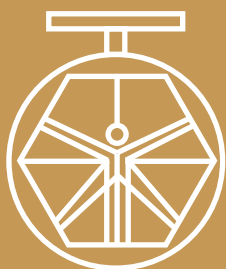
ITEM	PART	MATERIAL	ITEM	PART	MATERIAL	ITEM	PART	MATERIAL
1	Body	DI GJS450	7	Sealing Kits	Graphite	13	Lock Nut	Steel
2	Disc	DI GJS450 + EPDM	8	Bolts	Steel	14	Flat Key	S, Steel 416
3	Connecting part	ASTM B148	9	Platen	DI GJS450	15	Countersunk Head Bolt	Steel
4	Sealing Pad	EPDM	10	Bnut	Steel	16	Cylinder Pin	Steel
5	Stem	AISI304	11	Rotating Nut	C95400	17	Plug	C95400
6	Cap	GJS450	12	Handwheel	Steel			

All the components can be substituted with equivalent or higher-class materials.

DAVINCI VALVES LTD, is constantly looking at all ways of improving our products and services related to the water, fire and industry sector and therefore we reserve the right to change, without prior notice, any of the data contained here. Please contact our Technical Sales Department for detailed advice.  
 © 2018 DAVINCI VALVES LTD.

www.davincivalves.com info@davincivalves.com +34 616553797 / +86 17340168233  
 18 Dongyu Street, Square One 11th Floor 1101. Jinjiang District, Chengdu, Sichuan Province, China

*"For professionals who wants more"*



DAVINCI  
VALVES™