

SWING CHECK VALVE THREAD END

Ref.413A

APLICACION:

Industry, Water

GENERAL CHARACTERISTICS:

Range from 1/4" up to 3".

Manufacture acc. to the requirements of the EU directive 2014/68/EU Equipements under



STANDARDS:

Pressure Test : EN 12266-1, DIN 3230, BS6755 y ISO 5208:

Investment casting, Precise Grinding

Thread ASME B 1.20.1 BSz21.DIN2999/259

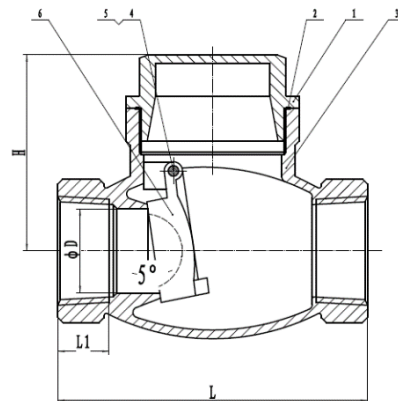
WORKING CONDITIONS:

Maximum Working Pressure: 200PSI/PN16

Max.Working Temperature : +180

Suitable Media: Water, Oil, Others

Consult Factory for specific applications



ITEM	DESIGNATION	MATERIAL
1	BONNET	CF8/CF8M
2	GASKET	PTFE
3	BODY	CF8/CF8M
4	HANGER PIN	304
5	PLUG GASKET	PTFE
6	DISC	CF8/CF8M
5	PLUG GASKET	PTFE
6	DISC	CF8/CF8M

SIZE	D	L	H	L1
1/4"	6	63	42	10
3/8"	10	63	42	10
1/2"	15	65	45	12
3/4"	20	80	53	15
1"	25	90	60	17
1.1/4"	31	104	64	17
1.1/2"	38	120	76	20
2"	50	140	82	23
2.1/2"	62	163	90	25
3"	75	191	100	28

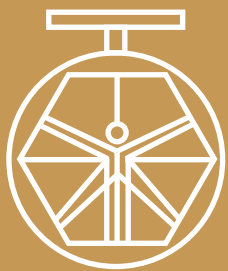
All the components can be substituted with equivalent or higher-class materials.

DAVINCI VALVES LTD, is constantly looking at all ways of improving our products and services related to the water, fire and industry sector and therefore we reserve the right to change, without prior notice, any of the data contained here. Please contact our Technical Sales Department for detailed advice.

© 2018 DAVINCI VALVES LTD.

www.davincivalves.com info@davincivalves.com +34 616553797 / +86 17340168233

"For professionals who wants more"



DAVINCI
VALVES™