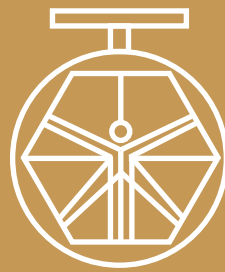


**GROUP 100  
BUTTERFLY  
VALVES  
MOD. 100A/01**



**DAVINCI  
VALVES™**

# TECHNICAL DATA SHEET

## WATER Series

**BUTTERFLY VALVES WAFER TYPE  
CENTER STEM**

**DAVINCI  
VALVES™**



**QUALITY  
ASSUREMENT**

**DAVINCI  
VALVES™**



**PRODUCT QT  
ASSUREMENT**

**DAVINCI  
VALVES™**



**COMPANY QT  
ASSUREMENT**

[www.davincivalves.com](http://www.davincivalves.com)

18 Dongyu Street, Square One,  
11th Floor 1101, Jinjiang District,  
Chengdu, Sichuan CHINA

10F/Tower A, Billion Center,  
1 Wang Kwong Road, Kowloon Bay  
Kowloon HONG KONG

## ALUMINUM WAFER BUTTERFLY VALVE ref.100A / PN 10

### WORKING CONDITIONS (EPDM):

Maximum Working Pressure: 10 bar.  
Maximum Working Temperature: -10 °C / +120 °C.  
Peak Temperature: -15 °C / 130 °C.

### APPLICATION:

Water, HVAC installations, pressurized air, industry, etc.

### GENERAL CHARACTERISTICS:

Concentric Disc Valves.  
Range from ND40 up to ND200.  
Tightness in both ways.  
Long neck for heat-insulated installations.  
Does not need joints for installation.  
Low load loss.  
Top Flange according to ISO 5211.  
10 position's lever.

### STANDARDS:

Design: JIS B2064/DIN3354/API609  
Face to Face: JISB2002/DIN3230/ANSI B16.1  
Pressure Test: JIS B2003/DIN3230/API598  
Body: 15 bars. Seat: 11 bars.  
Manufacture acc. to the requirements of the EU directive 2014/68/EU Equipment under pressure: mod. H.



### Model HA:

Malleable cast iron handle  
10 position zinc plated steel throttling plate  
Economy utility



### Model HB:

Malleable cast iron handle  
10 position zinc plated steel throttling plate  
With padlock hole



### Model HC:

Carbon Steel handle  
10 position zinc plated steel throttling plate  
Beautiful, lower weight



### Model HD:

Malleable cast iron handle  
10 position ABS throttling plate  
With padlock hole



### Model HE:

Malleable cast iron handle  
10 position zinc plated steel throttling plate  
High strength, durable



### Model HF:

Aluminum alloy handle  
10 position aluminum alloy throttling plate  
Resistance corrosive, lower weight

All the components can be substituted with equivalent or higher-class materials.

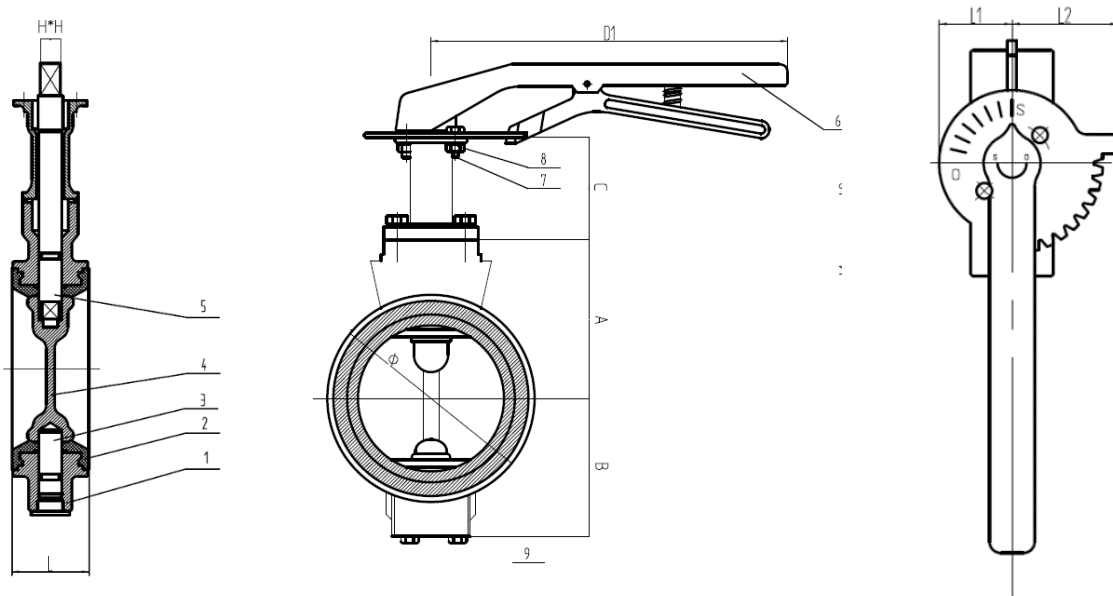
## ALUMINUM WAFER BUTTERFLY VALVE

ref.100A / PN 10

### Seat Temperature Ratings

Material		NBR	Neoprene	EPDM	Hypalon	Viton	PTFE
Temperature Ratings	°C	-20~100	-40~100	-40~120	-32~135	-12~230	-50~200
	°F	-4~212	-40~212	-40~248	-25.6~275	10.4~446	-58~392

Seat materials are capable of withstanding lower temperatures without damage. However, the elastomer becomes hard and torques increase. Some flow media may further restrict the published temperature limits or significantly reduce seat life.

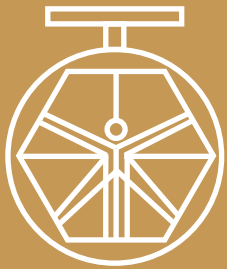


ND	A	B	H*H	C	L	φ	Weight
50	62	58	9*9	72	43	92	1,33
65	64	63	9*9	72	45	117	1,59
80	76	76	9*9	72	45	128	1,75
100	84	84	11*11	72	52	147	2,07
125	115	119	14*14	72	56	179	3,89
150	124	133	14*14	72	56	202	4,61
200	155	155	17*17	72	59	258	7,27

ITEM	DESCRIPTION	MATERIAL
1	Body	ADC12
2	Seat	EPDM
3	Stem	SS410
4	Disc	CF8/CF8M
5	Stem	SS410
6	Handle	AL
7	Nut	201
8	Bolt & Nut	201
9	Plug Screw	AL

All the components can be substituted with equivalent or higher-class materials.

*"For professionals who wants more"*



DAVINCI  
VALVES™