

**GROUP 200
GATE VALVES
MOD. 200A/09**



**DAVINCI
VALVES™**

TECHNICAL DATA SHEET

WATER Series

**RESILIENT SEAT GATE VALVES NP25
NON RISING STEM FLANGED END**

**DAVINCI
VALVES™**



**QUALITY
ASSUREMENT**

**DAVINCI
VALVES™**



**PRODUCT QT
ASSUREMENT**

**DAVINCI
VALVES™**



**COMPANY QT
ASSUREMENT**

www.davincivalves.com

18 Dongyu Street, Square One,
11th Floor 1101, Jinjiang District,
Chengdu, Sichuan CHINA

10F/Tower A, Billion Center,
1 Wang Kwong Road, Kowloon Bay
Kowloon HONG KONG

RESILIENT SEAT GATE VALVE NON-RISING STEM F4/F5

Ref.200A / PN 25

APPLICATION:

Potable water distribution and pumping, sewage, irrigation

GENERAL CHARACTERISTICS:

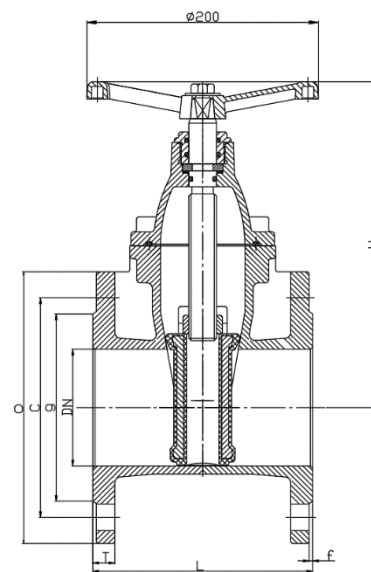
Range from ND40 up to ND300.
Full bore.
100% Tightness in both ways.
Repackable under pipeline pressure.
Low torque values.
Epoxy paint 250 microns.

STANDARDS:

Design: DIN 3352.
Face to Face: EN 558-1 Serie 14/15.
Mounting between flanges: PN25 EN 1092-2, ISO 7005-2.
Pressure Test: EN 12266-1 Rate A. Body: 38 bars. Seat: 28 bars.

WORKING CONDITIONS:

Working Temperature: -10C +90C
Suitable Media: Water



ITEM	MATERIAL	ITEM	MATERIAL
BODY	GJS500	O-RINGS	EPDM
GATE	GJS500/EPDM	SHAFT-NET O-RINGS	NBR
NUT	ZCuZn38	O-RINGS	EPDM
SHAFT	2Cr13	DUST COVER	NBR
BONNET GASKET	EPDM	GLAND NUT	HPb59-1
BONNET	GJS500	BOLTS	A2
ORING	EPDM	DUST PROTECTOR	NBR

ND	L F4	L F5	O	C	g	f	T	H	Torque (N.m)
50	150	250	165	125	98,5	3	17	195	50
65	170	270	185	145	119	3	17	222	60
80	180	280	200	160	133	3	18	251	60
100	190	300	235	190	162	3	19	282	80
125	200	325	270	220	188	3	19	343	100
150	210	350	300	250	218	3	20	382	120
200	230	400	360	310	278	3	22	464	150
250	250	450	425	370	334	3	24,5	562	200
300	270	500	485	430	390	3	27,5	642	250

All the components can be substituted with equivalent or higher-class materials.

DAVINCI VALVES LTD, is constantly looking at all ways of improving our products and services related to the water, fire and industry sector and therefore we reserve the right to change, without prior notice, any of the data contained here. Please contact our Technical Sales Department for detailed advice.

© 2018 DAVINCI VALVES LTD.
www.davincivalves.com info@davincivalves.com +34 616553797 / +86 17340168233
18 Dongyu Street, Square One 11th Floor 1101. Jinjiang District, Chengdu, Sichuan Province, China

"For professionals who wants more"



DAVINCI
VALVES™