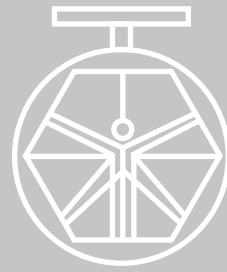


GROUP 400
CHECK
VALVES MOD.
410\$26

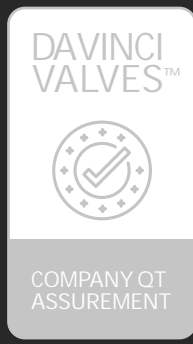
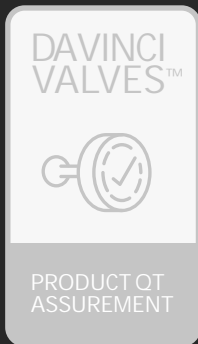


DAVINCI
VALVES™

TECHNICAL DATA SHEET

WATER Series

SWING CHECK VALVES
FLANGED ENDS



www.davincivalves.com

18 Dongyu Street, Square One,
11th Floor 1101, Jinjiang District,
Chengdu, Sichuan CHINA

10F/Tower A, Billion Center,
1 Wang Kwong Road, Kowloon Bay
Kowloon HONG KONG

SWING CHECK VALVE FLANGED END

Ref.410 / PN 10-16

APPLICATION:

Water and sewage hydraulic installations, heating.

GENERAL CHARACTERISTICS:

Epoxy paint 250 Mic

Working temperature -10°C to 120°C

Full Bore

Optional Lever&Weight and hydraulic dumper

Brass seat, others materials be able (Bronze, aisi304)

STANDARDS:

Manufacture according to ISO 9001 2008.

Face to Face: EN 558-1 Series 48.

Mounting with flanges: PN10 / PN16 EN 1092-2.

Pressure Test: EN 12266-1 Rate A.

Body: 24 bar. Asiento / Seat: 17,6 bar. Pressure: Cat. III mod. H.



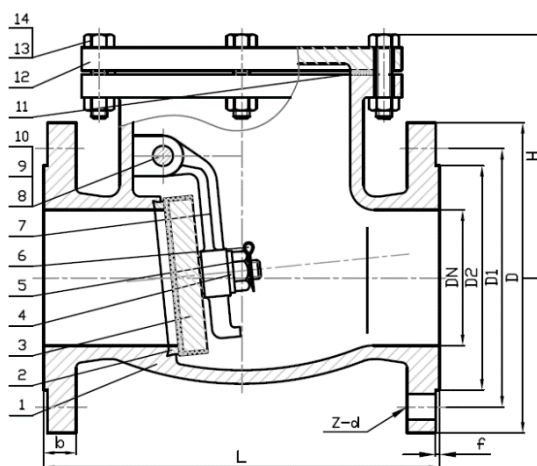
WORKING CONDITIONS:

Maximum Working Pressure: 16 bar.

Metal Seat Working Temperature: -10 °C / + 120 °C.

Maximum Fluid Speed: 3,2 M/s.

Nº	PART NAME	MATERIAL	STANDARD
1	BODY	DUCTILE IRON	GJS500
2	BODY SEAT RING	BRASS	
3	DISC	DUCTILE IRON/EPDM	GJ500/BS2494
4	WASHER	S. STEEL	A2
5	NUT	S. STEEL	A2
6	COTTER PIN	S. STEEL	A2
7	ARM	DUCTILE IRON	GJS500
8	HING PIN	S. STEEL	AISI420
9	PLUG	S. STEEL	A2
10	MINIPAD	TFL	
11	GASKET	EPDM	BS2494
12	BONNET	DUCTILE IRON	GJS500
13	BOLT	S. STEEL	A2
14	NUT	S. STEEL	A2



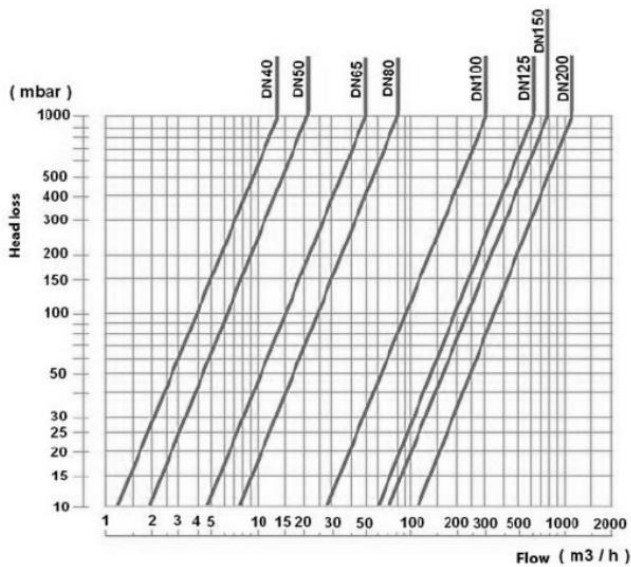
All the components can be substituted with equivalent or higher-class materials.

DAVINCI VALVES LTD, is constantly looking at all ways of improving our products and services related to the water, fire and industry sector and therefore we reserve the right to change, without prior notice, any of the data contained here. Please contact our Technical Sales Department for detailed advice.
© 2018 DAVINCI VALVES LTD.

www.davincivalves.com info@davincivalves.com +34 616553797 / +86 17340168233
18 Dongyu Street, Square One 11th Floor 1101. Jinjiang District, Chengdu, Sichuan Province, China

SWING CHECK VALVE FLANGED END

Ref.410 / PN 10-16



DN	D Ø	D1 Ø	D2 Ø	L	b	f	Z-d (pn16)	H
40	150	110	84	180	18	3	4-Ø19	120
50	165	125	99	200	20	3	4-Ø19	137
65	185	145	118	240	20	3	4-Ø19	147
80	200	160	132	260	22	3	8-Ø19	159
100	220	180	156	300	24	3	8-Ø19	180
125	250	210	184	350	26	3	8-Ø19	203
150	285	240	211	400	26	3	8-Ø23	223
200	340	295	266	500	30	3	12-Ø23	258
250	405	355	319	600	32	3	12-Ø28	290
300	460	410	370	700	32	4	12-Ø28	325
350	520	470	429	800	36	4	16-Ø23	361
400	580	525	480	900	38	4	16-Ø31	388
450	640	585	548	1000	40	4	20-Ø31	450
500	715	650	609	1100	42	4	20-Ø34	518
600	840	770	720	1300	48	5	20-Ø37	620
800	1025	950	901	1700	58	5	24-Ø40	763
900	1125	1050	1001	1900	62	5	28-Ø40	960

All the components can be substituted with equivalent or higher-class materials.

DAVINCI VALVES LTD, is constantly looking at all ways of improving our products and services related to the water, fire and industry sector and therefore we reserve the right to change, without prior notice, any of the data contained here. Please contact our Technical Sales Department for detailed advice.
© 2018 DAVINCI VALVES LTD.

www.davincivalves.com info@davincivalves.com +34 616553797 / +86 17340168233
18 Dongyu Street, Square One 11th Floor 1101. Jinjiang District, Chengdu, Sichuan Province, China

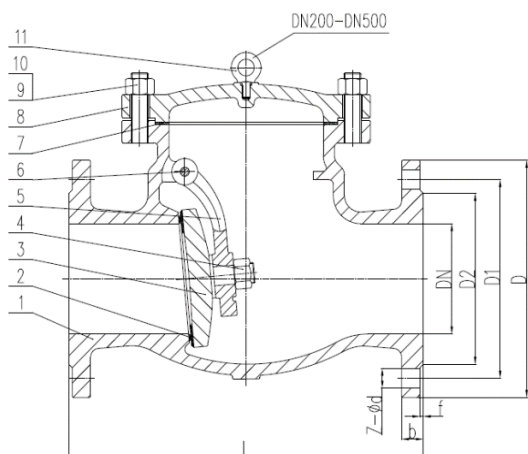
SWING CHECK VALVE FLANGED END

Ref.410 / PN 10-16

PN25

Liquid painting for Industrial applications

Body in WCB .



No.	Part	Material	No.	Part	Material
1	Body	ASTM A216 WCB	7	Gasket	Graphite+304
2	Sealing Surface	13Cr	8	Bonnet	ASTM A216 WCB
3	Disc	A216 WCB+13Cr	9	Bolt	ASTM A193 B7
4	Nut	ASTM A194 2H	10	Nut	ASTM A194 2H
5	Arm	ASTM A216 WCB	11	Eyebolt	ASTM A181
6	Pin	ASTM A182 F6a			

DN	D	D1	D2	Z-φd	b	f	L
40	150	110	88	4-φ18	18	3	200
50	165	125	102	4-φ18	20	3	230
65	185	145	122	8-φ18	22	3	290
80	200	160	138	8-φ18	24	3	310
100	235	190	162	8-φ22	24	3	350
125	270	220	188	8-φ26	26	3	400
150	300	250	218	8-φ26	28	3	480
200	360	310	278	12-φ26	30	3	550
250	425	370	335	12-φ30	32	3	650
300	485	430	395	16-φ30	34	4	750
350	555	490	450	16-φ33	38	4	850
400	620	550	505	16-φ36	40	4	950
450	670	600	555	20-φ36	46	4	1050
500	730	660	615	20-φ36	48	4	1150

All the components can be substituted with equivalent or higher-class materials.

DAVINCI VALVES LTD, is constantly looking at all ways of improving our products and services related to the water, fire and industry sector and therefore we reserve the right to change, without prior notice, any of the data contained here. Please contact our Technical Sales Department for detailed advice.
© 2018 DAVINCI VALVES LTD.

www.davincivalves.com info@davincivalves.com +34 616553797 / +86 17340168233
18 Dongyu Street, Square One 11th Floor 1101. Jinjiang District, Chengdu, Sichuan Province, China

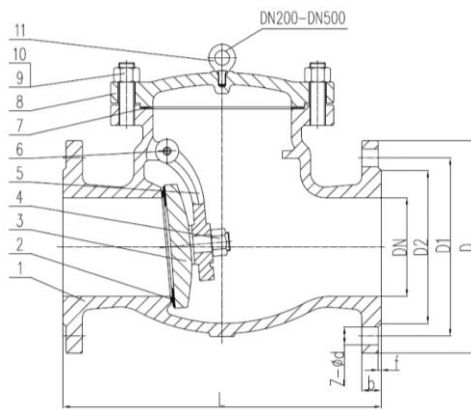
SWING CHECK VALVE FLANGED END

Ref.410 / PN 10-16

PN40

Liquid painting for Industrial applications

Body in WCB .



No.	Part	Material	No.	Part	Material
1	Body	ASTM A216 WCB	7	Gasket	Graphite+304
2	Sealing Surface	13Cr	8	Bonnet	ASTM A216 WCB
3	Disc	A216 WCB+13Cr	9	Bolt	ASTM A193 B7
4	Nut	ASTM A194 2H	10	Nut	ASTM A194 2H
5	Arm	ASTM A216 WCB	11	Eyebolt	ASTM A181
6	Pin	ASTM A182 F6a			

DN	D	D1	D2	Z-φd	b	f	L
40	150	110	88	4-18	18	3	200
50	135	125	102	4-18	20	3	230
65	185	145	122	8-18	22	3	290
80	200	160	138	8-18	24	3	310
100	235	190	162	8-22	24	3	350
125	270	220	188	8-26	26	3	400
150	300	250	218	8-26	28	3	480
200	375	320	285	12-30	30	3	550
250	450	385	345	12-33	32	3	650
300	515	450	410	16-33	34	4	750
350	580	510	465	16-36	38	4	850
400	660	585	535	16-39	40	4	950
450	685	610	560	20-39	46	4	1050
500	755	670	615	20-42	48	4	1150

All the components can be substituted with equivalent or higher-class materials.

DAVINCI VALVES LTD, is constantly looking at all ways of improving our products and services related to the water, fire and industry sector and therefore we reserve the right to change, without prior notice, any of the data contained here. Please contact our Technical Sales Department for detailed advice.
© 2018 DAVINCI VALVES LTD.

www.davincivalves.com info@davincivalves.com +34 616553797 / +86 17340168233
18 Dongyu Street, Square One 11th Floor 1101. Jinjiang District, Chengdu, Sichuan Province, China

"For professionals who wants more"



DAVINCI
VALVES™