

UNIDIRECTIONAL SEALING KNIFE VALVE HEAVY SEAT REPLACEABLE

ref.801A / PN 10-16



MODEL: 800A

WORKING PRESSURE:

DN50-DN100 16Bar DN125-DN200 14Bar
 DN250-DN300 12Bar DN350-DN400 10Bar
 DN450-DN550 8Bar DN600-DN650 5Bar
 DN700-DN750 4Bar DN800-DN900 3Bar
 DN1000-DN1400 2Bar





STANDARDS:

Design: MSS SP-81
 Flange Standard: DIN PN10, PN16, 150LB, JIS 10K, TABLE E/D
 Face to Face: MSS SP-81
 Testing Standard: API-598
 Transmission: manual, electric, pneumatic, hydraulic, electro-hydraulic, gear

GENERAL CHARACTERISTICS:

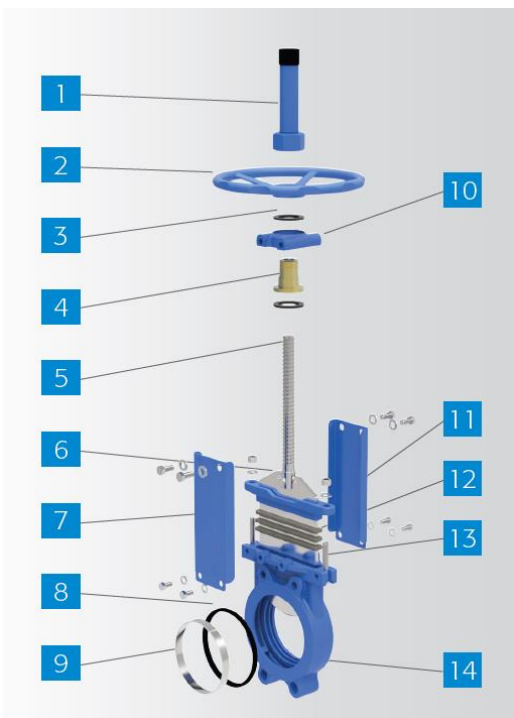
Main Material: WCB, CF3M, CF8
 Wedge Material: SS316L, SS304
 Sealing Material: NBR, EPDM, FKM, Metal
 Packing Aramid fiber, high-water-based rubber packing graphite wheel for Applicable
 Medium: pulp, cement slurry, gold or powder, coal slurry pulp, chemical treatment of sewage, sedimentation tanks, asphalt, acid and other liquids and other media.

FEATURES:

-  Unidirectional sealing
-  1PC Body design
-  Full port design
-  Mixed with a variety of materials packing

PRODUCT DESCRIPTION:

800A Series Knife gate valve is with replaceable rubber seal knife gate structure, its sealing principle is mainly by closely connection between gate and rubber seals. Its main characters are that the rubber sealing ring is set in seat' groove and is locked by metal seat, which will prevent rubber seal off when opening and closing the valve. If the seal is broken, you can remove the metal seat and replace the rubber seal, which will greatly improve valve' working efficiency. This valve is a cost-effective, high-performance products. The series of knife gate valve can be equipped with pneumatic actuators, in order to meet the requirements of different industrial and mining use.



| No. | Part | Material | QTY |
|-----|---------------|---------------------------|-----|
| 1 | Handle Cover | Q235+painting | 1 |
| 2 | Hand Wheel | GGG40 | 1 |
| 3 | Bearing | ZChSnSb 10-6 | 2 |
| 4 | Stem nut | Brass | 1 |
| 5 | stem | 2Cr13/SS304/SS316 | 1 |
| 6 | disc | SS304/SS316/F55/2205 | 1 |
| 7 | yoke | Q235 | 1 |
| 8 | seat | EPDM/NBR/PTFE/Metal | 1 |
| 9 | seat Cover | SS304/SS316 | 1 |
| 10 | yoke head | GGG40 | 1 |
| 11 | packing gland | WCB/CF8 | 1 |
| 12 | packing | Aramid PTFE | 3-5 |
| 13 | bolt | Fe+Zn With Painting/SS304 | N |
| 14 | body | WCB/GGG40/CF8/CF8M | 1 |

All the components can be substituted with equivalent or higher-class materials.

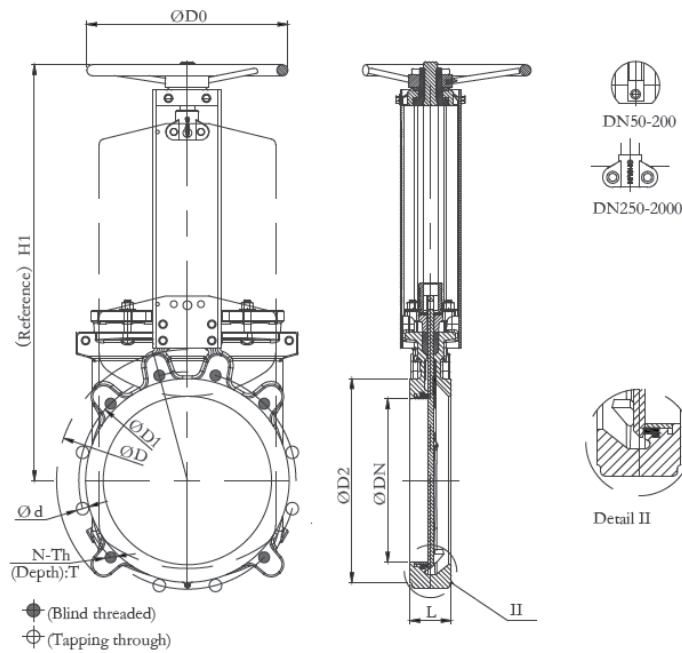
DAVINCI VALVES LTD, is constantly looking at all ways of improving our products and services related to the water, fire and industry sector and therefore we reserve the right to change, without prior notice, any of the data contained here. Please contact our Technical Sales Department for detailed advice.
 © 2018 DAVINCI VALVES LTD.

www.davincivalves.com info@davincivalves.com +34 616553797 / +86 17340168233

UNIDIRECTIONAL SEALING KNIFE VALVE HEAVY SEAT REPLACEABLE

ref.801A / PN 10-16

Dimension



ANSI 150LB

| DN | L | D | D1 | D2 | D0 | N-Th | d(φ) | H1 |
|--------|----|-----|-----|-----|-----|---------|------|-----|
| 2" | 48 | 152 | 121 | 92 | 180 | 4-5/8" | 19 | 260 |
| 2-1/2" | 48 | 178 | 140 | 105 | 200 | 4-5/8" | 19 | 292 |
| 3" | 51 | 191 | 153 | 127 | 200 | 4-5/8" | 19 | 320 |
| 4" | 51 | 229 | 191 | 157 | 240 | 8-5/8" | 19 | 358 |
| 5" | 57 | 254 | 216 | 186 | 260 | 8-3/4" | 22 | 395 |
| 6" | 57 | 279 | 242 | 216 | 280 | 8-3/4" | 22 | 450 |
| 8" | 70 | 343 | 299 | 270 | 300 | 8-3/4" | 22 | 532 |
| 10" | 70 | 406 | 362 | 324 | 320 | 12-7/8" | 25 | 670 |
| 12" | 76 | 483 | 432 | 381 | 350 | 12-7/8" | 25 | 758 |
| 14" | 76 | 533 | 476 | 413 | 400 | 12-1" | 29 | 857 |
| 16" | 89 | 597 | 540 | 470 | 450 | 16-1" | 29 | 946 |

DIN2632 PN10

| DN | L | D | D1 | D2 | D0 | N-Th | d(φ) | H1 |
|-----|----|-----|-----|-----|-----|--------|------|-----|
| 50 | 48 | 165 | 125 | 99 | 180 | 4-M16 | 18 | 260 |
| 65 | 48 | 185 | 145 | 118 | 200 | 4-M16 | 18 | 292 |
| 80 | 51 | 200 | 160 | 132 | 200 | 8-M16 | 18 | 320 |
| 100 | 51 | 220 | 180 | 156 | 240 | 8-M16 | 18 | 358 |
| 125 | 57 | 250 | 210 | 184 | 260 | 8-M16 | 18 | 395 |
| 150 | 57 | 285 | 240 | 211 | 280 | 8-M20 | 23 | 450 |
| 175 | 57 | 305 | 265 | 237 | 280 | 12-M20 | 23 | 504 |
| 200 | 70 | 340 | 295 | 266 | 300 | 8-M20 | 23 | 532 |
| 250 | 70 | 395 | 350 | 319 | 320 | 12-M20 | 23 | 670 |
| 300 | 76 | 445 | 400 | 370 | 350 | 12-M20 | 23 | 758 |
| 350 | 76 | 505 | 460 | 429 | 400 | 16-M20 | 23 | 857 |
| 400 | 89 | 565 | 515 | 480 | 450 | 16-M24 | 27 | 946 |

All the components can be substituted with equivalent or higher-class materials.

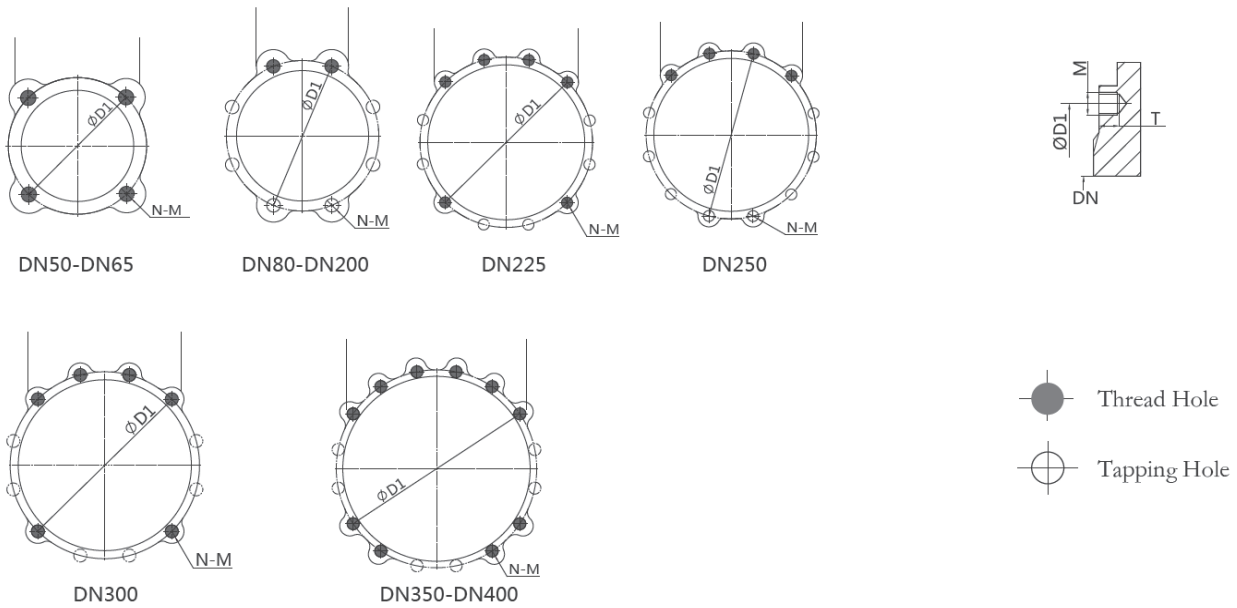
DAVINCI VALVES LTD, is constantly looking at all ways of improving our products and services related to the water, fire and industry sector and therefore we reserve the right to change, without prior notice, any of the data contained here. Please contact our Technical Sales Department for detailed advice.

© 2018 DAVINCI VALVES LTD.

www.davincivalves.com info@davincivalves.com +34 616553797 / +86 17340168233

UNIDIRECTIONAL SEALING KNIFE VALVE HEAVY SEAT REPLACEABLE ref.801A / PN 10-16

PN10 Threaded hole and Tapping hole



| PN10 | | | | | | |
|------|-----|----|----|----|-------------|--------------|
| DN | D1 | N | M | T | Thread Hole | Tapping Hole |
| 50 | 125 | 4 | 16 | 13 | 2 | 2 |
| 65 | 145 | 4 | 16 | 13 | 2 | 2 |
| 80 | 160 | 8 | 16 | 13 | 2 | 6 |
| 100 | 180 | 8 | 16 | 13 | 2 | 6 |
| 125 | 210 | 8 | 16 | 16 | 2 | 6 |
| 150 | 240 | 8 | 16 | 16 | 2 | 6 |
| 200 | 295 | 8 | 16 | 20 | 2 | 6 |
| 225 | 310 | 12 | 20 | 20 | 6 | 6 |
| 250 | 350 | 12 | 20 | 20 | 4 | 8 |
| 300 | 400 | 12 | 20 | 20 | 6 | 6 |
| 350 | 460 | 16 | 20 | 20 | 10 | 6 |
| 400 | 515 | 16 | 24 | 24 | 10 | 6 |

All the components can be substituted with equivalent or higher-class materials.

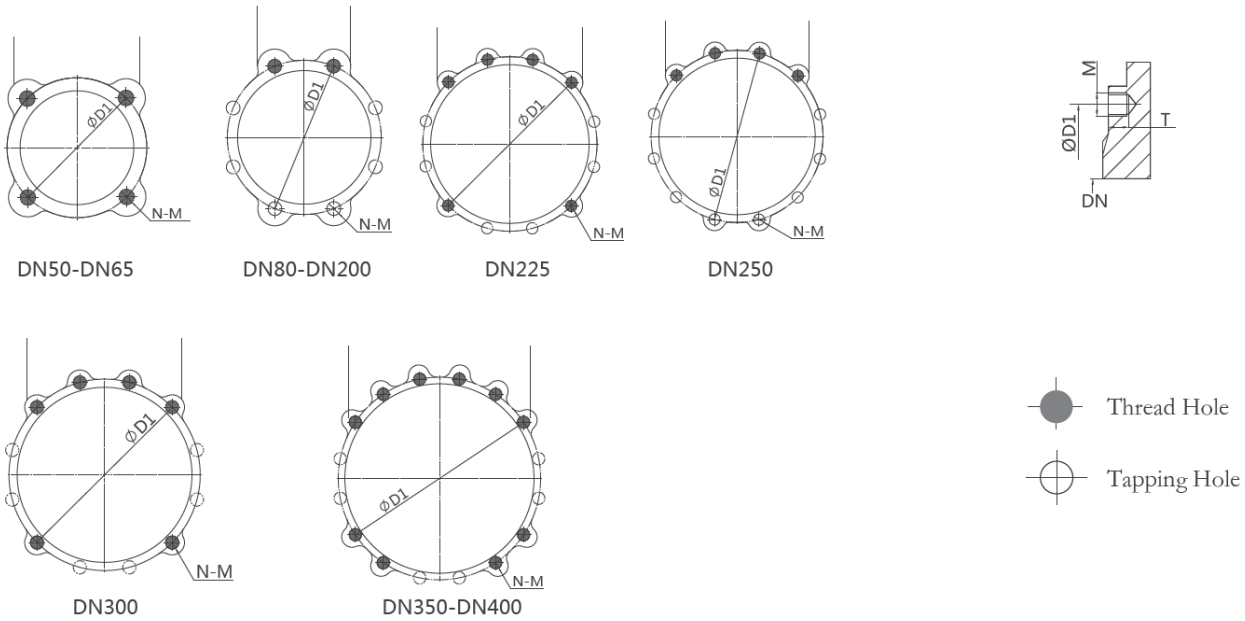
DAVINCI VALVES LTD, is constantly looking at all ways of improving our products and services related to the water, fire and industry sector and therefore we reserve the right to change, without prior notice, any of the data contained here. Please contact our Technical Sales Department for detailed advice.

© 2018 DAVINCI VALVES LTD.

www.davincivalves.com info@davincivalves.com +34 616553797 / +86 17340168233

UNIDIRECTIONAL SEALING KNIFE VALVE HEAVY SEAT REPLACEABLE ref.801A / PN 10-16

150LB Threaded hole and Tapping hole



ANSI 150LB

| DN | D1 | N | M | T | Thread Hole | Tapping Hole |
|--------|-----|----|---------|----|-------------|--------------|
| 2" | 121 | 4 | M5/8-11 | 13 | 2 | 2 |
| 2-1/2" | 140 | 4 | M5/8-11 | 13 | 2 | 2 |
| 3" | 153 | 4 | M5/8-11 | 13 | 2 | 2 |
| 4" | 191 | 8 | M5/8-11 | 13 | 2 | 6 |
| 5" | 216 | 8 | M3/4-10 | 16 | 2 | 6 |
| 6" | 242 | 8 | M3/4-10 | 16 | 2 | 6 |
| 8" | 299 | 8 | M3/4-10 | 20 | 2 | 6 |
| 10" | 362 | 12 | M7/8-9 | 20 | 2 | 6 |
| 12" | 432 | 12 | M7/8-9 | 20 | 6 | 6 |
| 14" | 476 | 12 | M1-8 | 20 | 6 | 6 |
| 16" | 540 | 16 | M1-8 | 24 | 10 | 6 |

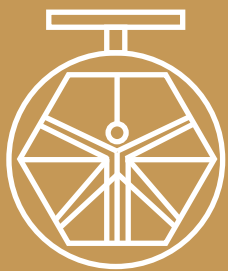
All the components can be substituted with equivalent or higher-class materials.

DAVINCI VALVES LTD, is constantly looking at all ways of improving our products and services related to the water, fire and industry sector and therefore we reserve the right to change, without prior notice, any of the data contained here. Please contact our Technical Sales Department for detailed advice.

© 2018 DAVINCI VALVES LTD.

www.davincivalves.com info@davincivalves.com +34 616553797 / +86 17340168233

"For professionals who wants more"



DAVINCI
VALVES™

www.davincivalves.com