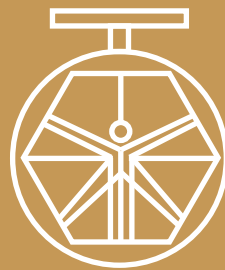


**GROUP 621  
ACCESSORIES  
MOD. 621/75**



**DAVINCI  
VALVES™**

**TECHNICAL  
DATA SHEET  
WATER Series**

**FLANGE ADAPTOR FOR PVC/PE/HDPE PIPES**

**DAVINCI  
VALVES™**



**QUALITY  
ASSUREMENT**

**DAVINCI  
VALVES™**



**PRODUCT QT  
ASSUREMENT**

**DAVINCI  
VALVES™**



**COMPANY QT  
ASSUREMENT**

[www.davincivalves.com](http://www.davincivalves.com)

18 Dongyu Street, Square One,  
11th Floor 1101, Jinjiang District,  
Chengdu, Sichuan CHINA

10F/Tower A, Billion Center,  
1 Wang Kwong Road, Kowloon Bay  
Kowloon HONG KONG

## RESTRAINED FLANGE ADAPTOR FOR PE/HDPE/PVC PIPE

### APPLICATION:

Water, HVAC installations, irrigation, industry, others

### WORKING CONDITIONS:

Working Temperature:

- 10 °C - + 120 °C. for EPDM

- 10 °C - + 82 °C. for NBR

### GENERAL CHARACTERISTICS:

Size DN50 to DN300,

working pressure PN10/PN16

Powder Epoxy Cured coating 250 Mic

### STANDARDS:

Comply with EN545

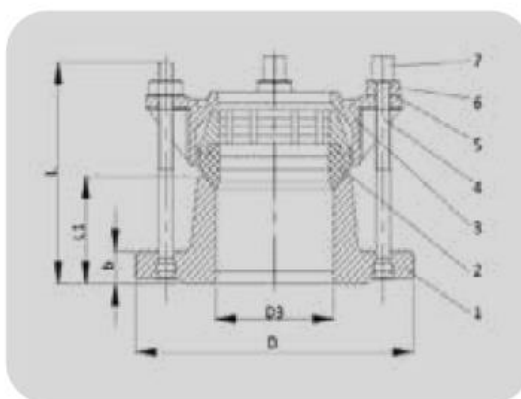
Pressure Test: EN 12266-1.

Body: 16 bar.

Flange EN1092-2 PN10/PN16



Sr.No.	Name	Material
1	Body	Ductile Iron
2	End ring	Ductile Iron
3	Gasket	EPDM
4	Bolt	Dacromet coated steel
5	Washer	Dacromet coated steel
6	Nut	Dacromet coated steel
7	Cap	Plastic



*All the components can be substituted with equivalent or higher-class materials.*

DAVINCI VALVES LTD, is constantly looking at all ways of improving our products and services related to the water, fire and industry sector and therefore we reserve the right to change, without prior notice, any of the data contained here. Please contact our Technical Sales Department for detailed advice.  
© 2018 DAVINCI VALVES LTD.

www.davincivalves.com info@davincivalves.com +34 616553797 / +86 17340168233  
18 Dongyu Street, Square One 11th Floor 1101. Jinjiang District, Chengdu, Sichuan Province, China

## RESTRAINED FLANGE ADAPTOR FOR PE/HDPE/PVC PIPE

### DIMMENSION TABLE

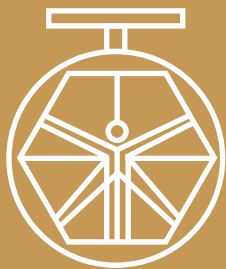
DN(mm)	OD(mm)	D3(mm)	D(mm)	b(mm)	L1	L	L	Weight(kg)
50	50	50	165	19	63	115	M12*2	3.16
50/60/65	63	78	180	19	63	110	M12*4	4.29
60/65	75	92	180	19	63	110	M12*4	4.39
80	90	105	180	19	63	110	M12*4	4.58
100	110	126	200	19	63	110	M12*4	6.44
125	125	135	220	19	63	120	M12*4	6.63
150	160	177	285	19	63	120	M12*4	8.39
200	200	217	340	19	63	130	M14*4	13.57
200	225	214	340	20	88	140	M14*4	14.72
250	250	268	400	22	88	140	M16*6	23.89
250	280	275	400	22	88	150	M16*6	24.89
300	315	334	455	24	88	150	M16*6	27.89

*All the components can be substituted with equivalent or higher-class materials.*

DAVINCI VALVES LTD, is constantly looking at all ways of improving our products and services related to the water, fire and industry sector and therefore we reserve the right to change, without prior notice, any of the data contained here. Please contact our Technical Sales Department for detailed advice.  
© 2018 DAVINCI VALVES LTD.

www.davincivalves.com info@davincivalves.com +34 616553797 / +86 17340168233  
18 Dongyu Street, Square One 11th Floor 1101, Jinjiang District, Chengdu, Sichuan Province, China

*"For professionals who wants more"*



DAVINCI  
VALVES™

[www.davincivalves.com](http://www.davincivalves.com)