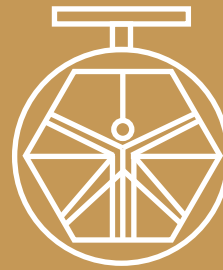


**GROUP 400
CHECK
VALVES
MOD.
400C/22**



**DAVINCI
VALVES™**

TECHNICAL DATA SHEET

WATER Series

**BALL CHECK VALVES
FLANGED END**

**DAVINCI
VALVES™**



**QUALITY
ASSUREMENT**

**DAVINCI
VALVES™**



**PRODUCT QT
ASSUREMENT**

**DAVINCI
VALVES™**



**COMPANY QT
ASSUREMENT**

www.davincivalves.com

18 Dongyu Street, Square One,
11th Floor 1101, Jinjiang District,
Chengdu, Sichuan CHINA

10F/Tower A, Billion Center,
1 Wang Kwong Road, Kowloon Bay
Kowloon HONG KONG

BALL CHECK VALVE FLANGED END

Ref.400C / PN 10-16

APPLICATION:

Waste water, sewage, sticky fluids, raising water

GENERAL CHARACTERISTICS:

Range from ND50 up to ND600.

The rubber ball is totally encapsulated for superior sealing and corrosion resistance.

Installation in horizontal or vertical position.

Low head loss. Low noise.

100% sealing at 0.3bar

Epoxy paint 250 microns RAL 5015.

STANDARDS:

Design: BS5153, EN 1074-3.

Face to Face: EN 558-1 Series 48.

Mounting between flanges: PN10/16 EN 1092-2, ISO 7005-2.

Pressure Test: EN 12266-1 Rate A.

Body: 24 bar. Seat: 11 bar.

EU directive 2014/68/EU Equipment's under pressure: Cat. III mod. H.

WORKING CONDITIONS:

Maximum Working Pressure: 16 bar.

Working Temperature: - 5 °C / + 90 °C.

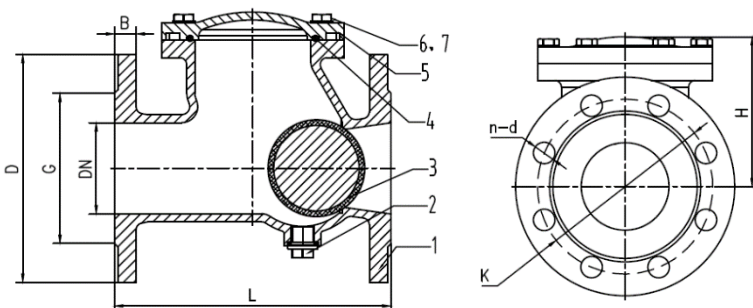
Suitable Media: Water

Consult Factory for other applications



ITEM	PART	MATERIAL
1	Body	GJS500
2	Ball	Steel + NBR
3	Gasket	NBR
4	Bonnet	GJS500
5	Purge Plug	A2
6	Bolts	A2

ND	L	H	Weight KG
050(4")	200	98	8,7
065(5")	240	115	11,3
080(6")	260	137	15,4
100(4")	300	154	18,8
125(5")	350	180	27,7
150(6")	400	220	40,1
200(8")	500	287	61,1
250(10")	600	355	101
300(12")	700	425	145
400(16")	900	584	305



All the components can be substituted with equivalent or higher-class materials.

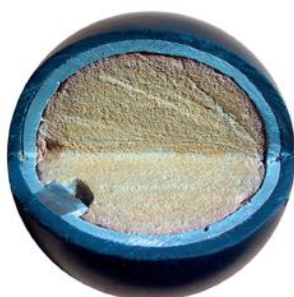
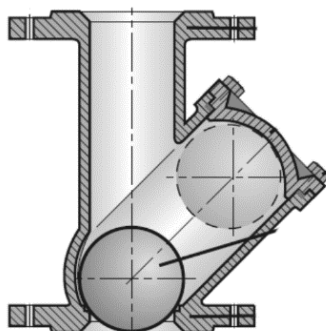
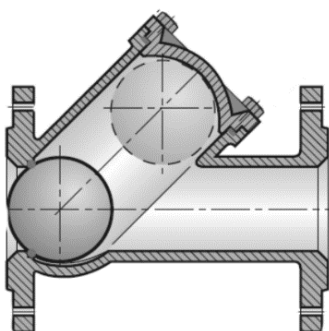
DAVINCI VALVES LTD, is constantly looking at all ways of improving our products and services related to the water, fire and industry sector and therefore we reserve the right to change, without prior notice, any of the data contained here. Please contact our Technical Sales Department for detailed advice.
© 2018 DAVINCI VALVES LTD.

www.davincivalves.com info@davincivalves.com +34 616553797 / +86 17340168233
18 Dongyu Street, Square One 11th Floor 1101. Jinjiang District, Chengdu, Sichuan Province, China

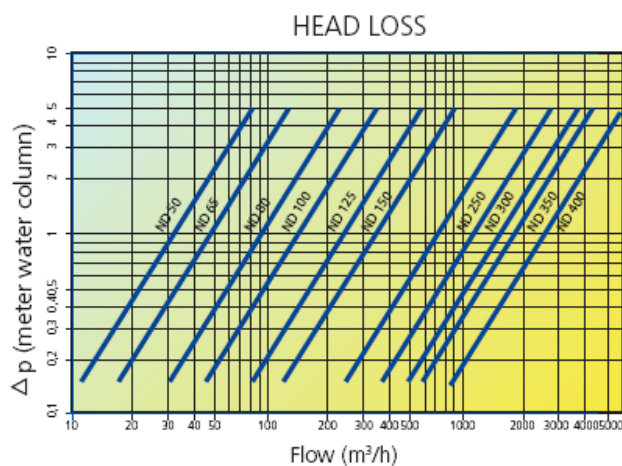
BALL CHECK VALVE FLANGED END

Ref.400C / PN 10-16

Horizontal or Vertical Installation



DETAIL OF THE INTERIOR OF THE BALL



All the components can be substituted with equivalent or higher-class materials.

DAVINCI VALVES LTD, is constantly looking at all ways of improving our products and services related to the water, fire and industry sector and therefore we reserve the right to change, without prior notice, any of the data contained here. Please contact our Technical Sales Department for detailed advice.
© 2018 DAVINCI VALVES LTD.

www.davincivalves.com info@davincivalves.com +34 616553797 / +86 17340168233
18 Dongyu Street, Square One 11th Floor 1101. Jinjiang District, Chengdu, Sichuan Province, China

"For professionals who wants more"



DAVINCI
VALVES™