

**GROUP 200
GATE VALVES
MOD. 261A/58**



**DAVINCI
VALVES™**

**TECHNICAL
DATA SHEET**

FIRE Series

**SYSTEM UL/FM
FLANGED ENDS WITH ISO TOP 200PSI**

**DAVINCI
VALVES™**



**QUALITY
ASSUREMENT**

**DAVINCI
VALVES™**



**PRODUCT QT
ASSUREMENT**

**DAVINCI
VALVES™**



**COMPANY QT
ASSUREMENT**

www.davincivalves.com

18 Dongyu Street, Square One,
11th Floor 1101, Jinjiang District,
Chengdu, Sichuan CHINA

10F/Tower A, Billion Center,
1 Wang Kwong Road, Kowloon Bay
Kowloon HONG KONG

RESILIENT SEAT GATE VALVE FLANGED X GROOVED END 200PSI WITH ISO FLANGE FIRE SYSTEMS Ref.261A / 200PSI

STANDARDS:

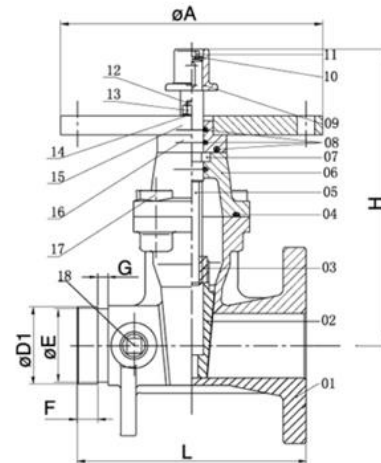
Design: AWWA515
 Flange standard: ASME/ANSI B16.1 Class 125 or
 ASME/ANSI B16.42 Class 150 or BS EN1092-2 PN16
 Groove Standard: Metric or AWWA C606
 Pressure Test: EN 12266-1 Rate A.

GENERAL CHARACTERISTICS:

Range from ND50 up to ND300.
 100% Tightness in both ways.
 Minimum head loss.
 Low torque values.
 Epoxy paint 250 microns

WORKING CONDITIONS:

Pressure Ratings: 200PSI
 Working Temperature: -10C +100C
 Suitable Media: Water
 Consult for other applications



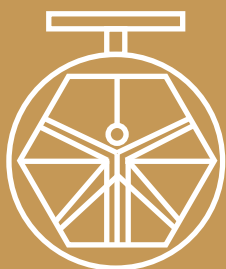
ITEM	2-1/2"	3"	4"	5"	6"	8"	10"	12"
L	190	203	229	254	267	292	330	356
H	289	326	355	410	455	558	648	745
øD	76.1	88.9	114.3	141.3	168.3	219.1	273	323.9
øE	72.3	84.9	110.1	137	163.9	214.4	268.3	318.3
F	15.9	15.9	15.9	15.9	15.9	19	19	19
G	7.9	7.9	9.5	9.5	9.5	11.1	12.7	12.7
øA	305	305	305	305	305	305	305	305

ITEM	PART	MATERIAL	ITEM	PART	MATERIAL	ITEM	PART	MATERIAL
1	Body	DI GJS450	7	Retainer Ring	C95400	13	Blind Nut	Steel
2	Disc	DI GJS450 + EPDM	8	O-ring	EPDM	14	Plain Washer	Steel
3	Nut	BRONZE ASTM B62	9	Scotch	DI GJS450	15	Coupling Flange	DI GJS450
4	Gasket	EPDM	10	Minipad	Steel	16	Platen	DI GJS450
5	Stem	AISI420	11	Boltsç	Steel	17	Countersunk Head Bolt	Steel
6	Cap	GJS450	12	Bolt Stud	Steel	18	Plug	C95400

All the components can be substituted with equivalent or higher-class materials.

DAVINCI VALVES LTD, is constantly looking at all ways of improving our products and services related to the water, fire and industry sector and therefore we reserve the right to change, without prior notice, any of the data contained here. Please contact our Technical Sales Department for detailed advice.
 © 2018 DAVINCI VALVES LTD.

"For professionals who wants more"



DAVINCI
VALVES™