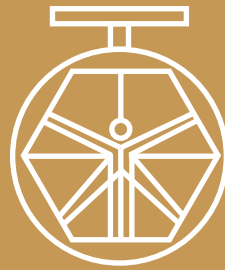


**GROUP 200
GATE VALVES
MOD. 241A/16**



**DAVINCI
VALVES™**

**TECHNICAL
DATA SHEET**

FIRE Series

**SYSTEM UL/FM
RISING STEM GROOVE ENDS**

**DAVINCI
VALVES™**



**QUALITY
ASSUREMENT**

**DAVINCI
VALVES™**



**PRODUCT QT
ASSUREMENT**

**DAVINCI
VALVES™**



**COMPANY QT
ASSUREMENT**

www.davincivalves.com

18 Dongyu Street, Square One,
11th Floor 1101, Jinjiang District,
Chengdu, Sichuan CHINA

10F/Tower A, Billion Center,
1 Wang Kwong Road, Kowloon Bay
Kowloon HONG KONG

RESILIENT SEAT GATE VALVE RISING STEM GROOVE ENDS 200PSI UL / FM FIRE SYSTEMS Ref.241A / 200PSI

GENERAL CHARACTERISTICS:

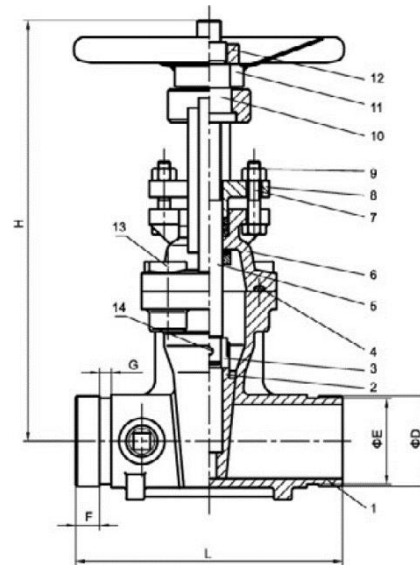
Range from ND50 up to ND300.
Full bore.
100% Tightness in both ways.
Minimum head loss.
Low torque values.
Epoxy paint 250 microns

WORKING CONDITIONS:

Pressure Ratings: 200PSI
Working Temperature: -10C +100C
Suitable Media: Water
Consult for other applications

STANDARDS:

Design: AWWA515
Groove Standard: Metric or AWWA C616
Pressure Test: EN 12266-1 Rate A.
EU directive 2014/68/EU



| SIZE | L | H | φD | φE | F | G |
|--------|-----|-----|-----|-----|----|-----|
| 2" | 178 | 313 | 60 | 57 | 16 | 7.9 |
| 2 1/2" | 190 | 340 | 76 | 72 | 16 | 7.9 |
| 3" | 203 | 387 | 89 | 85 | 16 | 7.9 |
| 4" | 229 | 440 | 114 | 110 | 16 | 9.5 |
| 5" | 254 | 546 | 141 | 137 | 16 | 9.5 |
| 6" | 267 | 607 | 168 | 164 | 16 | 9.5 |
| 8" | 292 | 786 | 219 | 214 | 19 | 11 |
| 10" | 330 | 946 | 273 | 268 | 19 | 13 |
| 12" | 356 | ### | 324 | 318 | 19 | 13 |

| ITEM | PART | MATERIAL | Standard |
|------|-----------------|------------------|---------------------------------|
| 1 | Body | DI GJS450 | ASTM A536 65-45-12 |
| 2 | Disc | DI GJS450 + EPDM | ASTM A536 65-45-12 + ASTM D2000 |
| 3 | Connecting part | ASTM B148 | ASTM B148 |
| 4 | Sealing Pad | EPDM | ASTM D2000 |
| 5 | Stem | AISI304 | ASTM A276 |
| 6 | Yoke | GJS450 | ASTM A536 65-45-12 |

| ITEM | PART | MATERIAL | Standard |
|------|-----------------------|-------------|--------------------|
| 7 | Bolt | Graphite | ASTM A29 |
| 8 | Gland | Steel | ASTM A536 65-45-12 |
| 9 | Nut | DI GJS450 | ASTM A29 |
| 10 | Rotating Nut | Steel | ASTM B148 |
| 11 | Handwheel | C95400 | ASTM A29 |
| 12 | Lock Nut | Steel | ASTM A29 |
| 13 | Countersunk Head Bolt | Steel | ASTM A29 |
| 14 | Cylinder Pin | S,Steel 416 | ASTM A276 |

All the components can be substituted with equivalent or higher-class materials.

DAVINCI VALVES LTD, is constantly looking at all ways of improving our products and services related to the water, fire and industry sector and therefore we reserve the right to change, without prior notice, any of the data contained here. Please contact our Technical Sales Department for detailed advice.
© 2018 DAVINCI VALVES LTD.

"For professionals who wants more"



DAVINCI
VALVES™