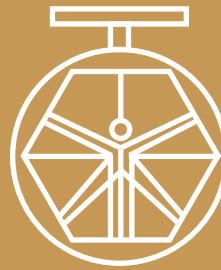


**GROUP 500
AIR RELIEF
MOD. 501/31**



**DAVINCI
VALVES™**

**TECHNICAL
DATA SHEET
WATER Series**

AIR RELIEF VALVES THREADED

**DAVINCI
VALVES™**



**QUALITY
ASSUREMENT**

**DAVINCI
VALVES™**



**PRODUCT QT
ASSUREMENT**

**DAVINCI
VALVES™**



**COMPANY QT
ASSUREMENT**

www.davincivalves.com

18 Dongyu Street, Square One,
11th Floor 1101, Jinjiang District,
Chengdu, Sichuan CHINA

10F/Tower A, Billion Center,
1 Wang Kwong Road, Kowloon Bay
Kowloon HONG KONG

SINGLE AIR RELIEF VALVE FUNCTION THREADED END PN10/16 ref.501A / GAS / NPT

ARVS-Single Air Release Valve

ARVS-Single air release valve is commonly installed in the peak of the pipeline, and used for exhausting the compressed air in pipeline system, generally there will be about 2% of dissolved air in water and it will release as bubbles and thru the air release valve nozzle. It can prevent the existence of bubble gap for flow, this can help a better efficiency for transmission of flow.

Features:

- High grade ductile iron body, reduce the weight and much longer life than cast iron.
- Simple mechanism with lever and float.
- The float and internal mechanism are made of AISI 304 stainless steel and last for much longer life cycles.
- Epoxy coating for both inside and outside.
- Male connection can easily be connected to isolated valves, no need further nipples..
- End connection can be BSPT or NPT thread.



Service Fields:

For clean water system.

Fuel Flow system

Technical Data:

Size range; DN 15- DN 25mm

Ratings : 1.0Mpa; 1.6Mpa

Working temp. : -10 °C - 80 °C.

Flow Media : Clean water

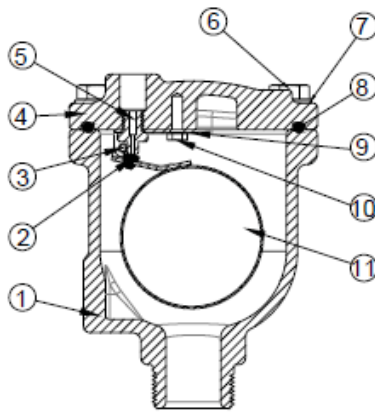
Connection : PN10, PN16, BSPT
and NPT male.

All the components can be substituted with equivalent or higher-class materials.

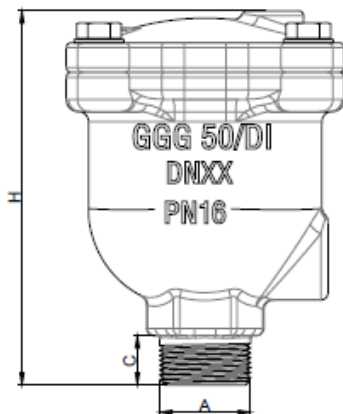
DAVINCI VALVES LTD, is constantly looking at all ways of improving our products and services related to the water, fire and industry sector and therefore we reserve the right to change, without prior notice, any of the data contained here. Please contact our Technical Sales Department for detailed advice.
© 2018 DAVINCI VALVES LTD.

www.davincivalves.com info@davincivalves.com +34 616553797 / +86 17340168233
18 Dongyu Street, Square One 11th Floor 1101, Jinjiang District, Chengdu, Sichuan Province, China

SINGLE AIR RELIEF VALVE FUNCTION THREADED END PN10/16 ref.501A / GAS / NPT



Dimension



Low Performance-Venting Capacity



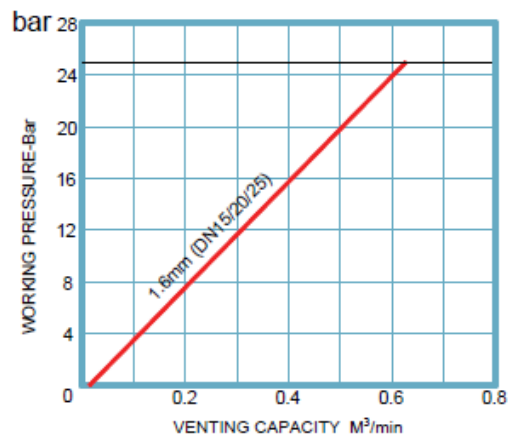
Parts List

No.	Part Name	Material	Standard
1	Body	Ductile Iron	EN GJS 500-7
2	Seat	Rubber	EPDM/NBR
3	Pin	Stainless Steel	AISI 304
4	Bonnet	Ductile Iron	EN GJS 500-7
5	Small Nozzle	Stainless Steel	AISI 304
6	Hex Bolt	Stainless Steel	AISI 304
7	Washer	Stainless Steel	AISI 304
8	O-ring	Rubber	NBR
9	Support Plate	Stainless Steel	AISI 304
10	Hex Bolt	Stainless Steel	AISI 304
11	Float	Stainless Steel	AISI 304

DN	Model No.	A	C	H
15	ARVS-0015-BP	G 1/2	20	152
20	ARVS-0020-BP	G 3/4"	20	152
25	ARVS-0025-BP	G 1"	20	152

Remarks: BP-- British Pipe Thread.

Air release during working conditions



All the components can be substituted with equivalent or higher-class materials.

DAVINCI VALVES LTD, is constantly looking at all ways of improving our products and services related to the water, fire and industry sector and therefore we reserve the right to change, without prior notice, any of the data contained here. Please contact our Technical Sales Department for detailed advice.
© 2018 DAVINCI VALVES LTD.

"For professionals who wants more"



DAVINCI
VALVES™