

**GROUP 500**

**A**      

**MOD.**

**50**  



**DAVINCI  
VALVES™**

# TECHNICAL DATA SHEET

## WATER Series

**AIR RELIEF VALVES  
FLANGED END   FUNCTION**

**DAVINCI  
VALVES™**



**QUALITY  
ASSUREMENT**

**DAVINCI  
VALVES™**



**PRODUCT QT  
ASSUREMENT**

**DAVINCI  
VALVES™**



**COMPANY QT  
ASSUREMENT**

[www.davincivalves.com](http://www.davincivalves.com)

18 Dongyu Street, Square One,  
11th Floor 1101, Jinjiang District,  
Chengdu, Sichuan CHINA

10F/Tower A, Billion Center,  
1 Wang Kwong Road, Kowloon Bay  
Kowloon HONG KONG

## AIR RELIEF VALVE DOUBLE FUCTION PN10/16

ref.501A / PN 10-16-25-ANSI150#

### APPLICATION:

Potable water distribution and pumping, irrigation

### STANDARDS:

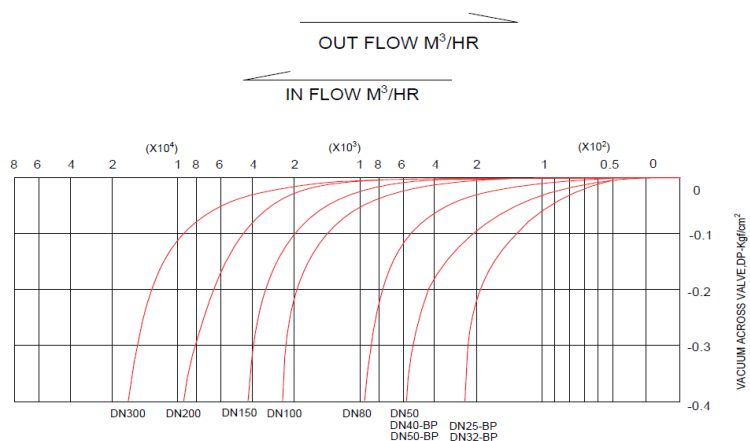
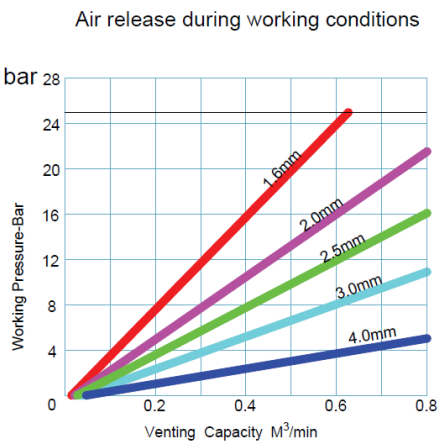
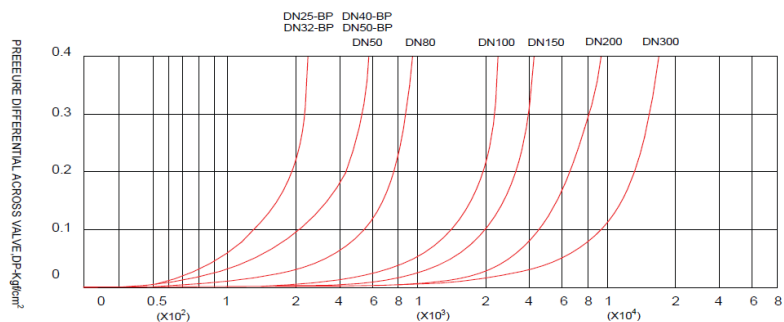
Hydrostatic test according to EN 12266-1, class A.  
EC directive  
Construction according to EN 1074-4 and AWWA C512  
Flanged according to ISO 7005-2

### WORKING CONDITIONS:

Pressure Ratings: 1.0Mpa; 1.6Mpa; 2.5Mpa  
Working Temperature: -10C +100C  
Suitable Media: Water  
End connection: PN 10/ PN 16/ PN25  
Consult Factory for other applications

### GENERAL CHARACTERISTICS:

Range from ND50 up to ND300  
WRAS certificate for Drinking Water (Rubber and paint)  
Epoxy paint cured 250 microns



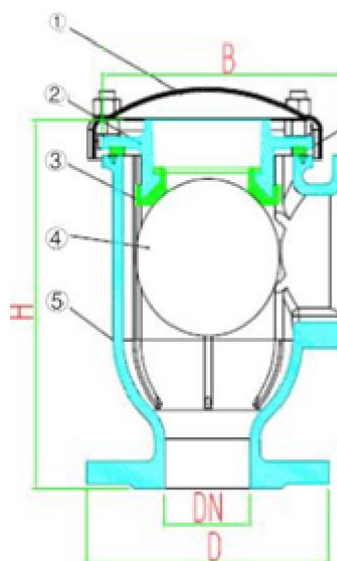
All the components can be substituted with equivalent or higher-class materials.

DAVINCI VALVES LTD, is constantly looking at all ways of improving our products and services related to the water, fire and industry sector and therefore we reserve the right to change, without prior notice, any of the data contained here. Please contact our Technical Sales Department for detailed advice.  
© 2018 DAVINCI VALVES LTD.

## AIR RELIEF VALVE DOUBLE FUCTION PN10/16

ref.501A / PN 10-16-25-ANSI150#

Nº	ITEM	MATERIAL
1	ANTI DUST COVER	CARBON STEEL
2	COVER	GJS400
3	SEALING	EPDM
4	FLOAT	SS304
5	BODY	GJS400
6	BOLTING	A2-70/CARBON STEEL



Full Bore DN050-DN100  
Reduce Bore DN150-200

### DIMENSIONS

DN	H	B	D	Peso KG
50	285	175	165	14
65	285	175	185	16.0
80	285	175	200	16.5
100	420	280	235	29.0
150	420	280	300	31.0
200	420	280	360	35.0

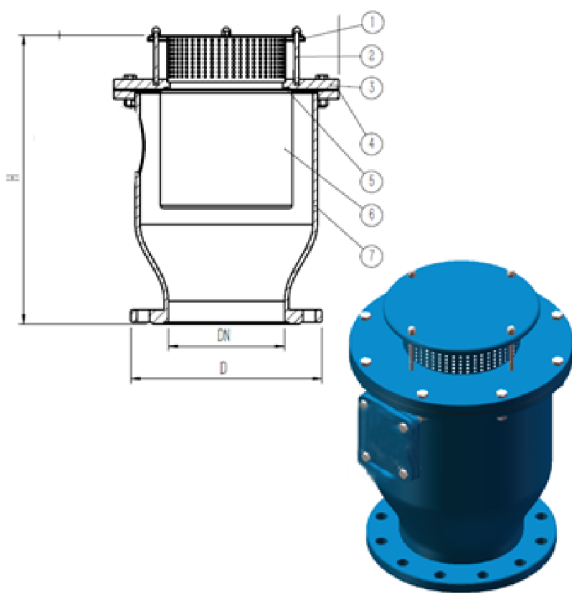
*All the components can be substituted with equivalent or higher-class materials.*

DAVINCI VALVES LTD, is constantly looking at all ways of improving our products and services related to the water, fire and industry sector and therefore we reserve the right to change, without prior notice, any of the data contained here. Please contact our Technical Sales Department for detailed advice.  
© 2018 DAVINCI VALVES LTD.

## AIR RELIEF VALVE DOUBLE FUCTION PN10/16

ref.501A / PN 10-16-25-ANSI150#

Full Bore DN150-DN300



Nº	ITEM	MATERIAL
1	ANTI DUST COVER	CARBON STEEL
2	DOUBLE END STUDSBM	CARBON STEEL
3	COVER	CARBON STEEL
4	GASKET	EPDM
5	O-RING	NBR
6	FLOAT	PLASTIC
7	BODY	CARBON STEEL

TECHNICAL DATA SHEET

DN	H	D	PESO (KG)
150	311	175	165
200	311	175	185
250	311	175	200
300	415	280	235

*All the components can be substituted with equivalent or higher-class materials.*

DAVINCI VALVES LTD, is constantly looking at all ways of improving our products and services related to the water, fire and industry sector and therefore we reserve the right to change, without prior notice, any of the data contained here. Please contact our Technical Sales Department for detailed advice.  
© 2018 DAVINCI VALVES LTD.

www.davincivalves.com info@davincivalves.com +34 616553797 / +86 17340168233  
18 Dongyu Street, Square One 11th Floor 1101. Jinjiang District, Chengdu, Sichuan Province, China

*"For professionals who wants more"*



DAVINCI  
VALVES™