

**GROUP 1000
ACCESSORIES
MOD.
1000B/96**



**DAVINCI
VALVES™**

**TECHNICAL
DATA SHEET
WATER Series**

FITTINGS

**DAVINCI
VALVES™**



**QUALITY
ASSUREMENT**

**DAVINCI
VALVES™**



**PRODUCT QT
ASSUREMENT**

**DAVINCI
VALVES™**



**COMPANY QT
ASSUREMENT**

www.davincivalves.com

18 Dongyu Street, Square One,
11th Floor 1101, Jinjiang District,
Chengdu, Sichuan CHINA

10F/Tower A, Billion Center,
1 Wang Kwong Road, Kowloon Bay
Kowloon HONG KONG

FITTINGS DI ref.1000B / PN 10-16-25

Size and Weight of Pipe Fittings

No.	Name	Symbol	DN (mm)	Page
1	Flange Spigot		40-2600	25
2	Flange Socket		40-2600	26
3	Socket Collar		40-2600	27
4	Double Socket 90° Bend		40-2600	28
5	Double Socket 45° Bend		40-2600	29
6	Double Socket 22.5° Bend		40-2600	30
7	Double Socket 11.25° Bend		40-2600	31
8	Socket Spigot 90° Bend		40-2600	32
9	Socket Spigot 45° Bend		40-2600	33
10	Socket Spigot 22.5° Bend		40-2600	34
11	Socket Spigot 11.25° Bend		40-2600	35
12	Double Flange 90° Bend		40-1400	36
13	Double Flange 45° Bend		40-2600	37
14	Double Flange 22.5° Bend		40-2600	38
15	Double Flange 11.25° Bend		40-2600	39
16	Double Flange 90° Duck Foot Bend		40-1000	40
17	Double Socket Reducer		80-2600	41-42
18	Double Flange Reducer		80-2600	43-44
19	Double Socket Offset Pipe		100-300	45
20	Socket Spigot Offset Pipe		100-300	45
21	Integrated/Welded Flange Pipe		80-2600	46
22	Double Socket Tee with Flange Branch		80-2600	47-49

All the components can be substituted with equivalent or higher-class materials.

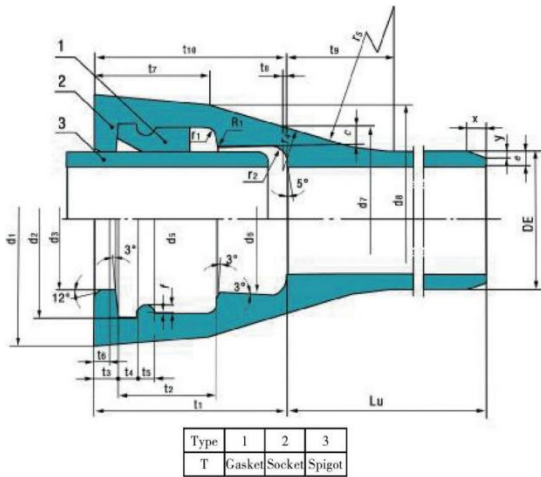
FITTINGS DI ref.1000B / PN 10-16-25

No.	Name	Symbol	DN (mm)	Page
23	All Flange Tee		80-2600	50-52
24	All Socket Tee		80-2600	53-55
25	Socket Spigot Tee with Socket Branch		80-2000	56-58
26	Socket Spigot Tee with Flange Branch		80-2200	59-61
27	Double Socket Level Invert Tee with Flange Branch		80-1400	62-63
28	All Socket Level Invert Tee		80-600	64-65
29	Socket Spigot Level Invert Tee with Flange Branch		80-600	66-67
30	All Socket 45° Lateral Tee		80-600	68
31	All Flange 45° Lateral Tee		80-600	69
32	All Socket Cross		80-600	70
33	All Flange Cross		80-1400	71
34	Socket Spigot and Double Socket Cross		40-1400	72
35	Plug		80-1600	73-74
36	Cap		80-1400	75-76
37	Bell Mouth		40-2600	77
38	Blind/Blank Flange		60-800	78-80
39	Reducing Flange		80-1400	81-83
40	All Flanged Tee with Radial Branch		80-600	84
41	All Flanged Y Tee		80-600	84
42	90° Double Flanged Long Radius Bend		80-1200	85
43	Gland for K Type Joint		100-2600	86
44	Bolts and Nuts		80-2600	87

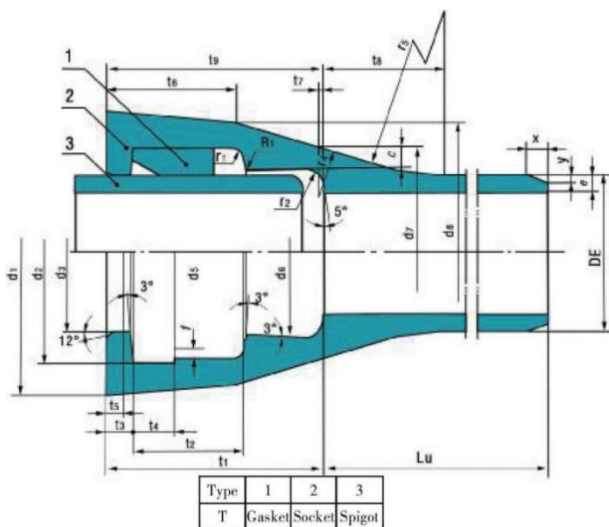
All the components can be substituted with equivalent or higher-class materials.

FITTINGS DI ref.1000B / PN 10-16-25

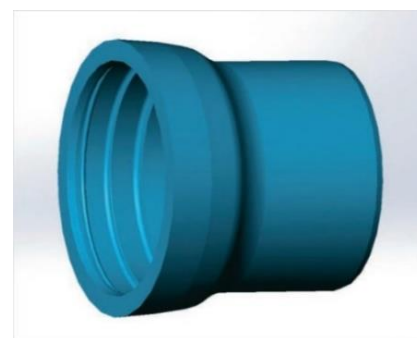
T type socket



DN80~1200 T type join



DN1400~1600 T type join



All the components can be substituted with equivalent or higher-class materials.

DAVINCI VALVES LTD, is constantly looking at all ways of improving our products and services related to the water, fire and industry sector and therefore we reserve the right to change, without prior notice, any of the data contained here. Please contact our Technical Sales Department for detailed advice. © 2018 DAVINCI VALVES LTD.
www.davincivalves.com info@davincivalves.com +34 616553797 / +86 17340168233
 18 Dongyu Street, Square One 11th Floor 1101. Jinjiang District, Chengdu, Sichuan Province, China

FITTINGS DI ref.1000B / PN 10-16-25

T type socket

DN	DE		d1	d2		d3		d5		d6	
80	98	+1	140	123		100.5		119.1		103.2	
100	118	-2.8	163	143	±1	120.5	±1	138.9	±1	123.4	
150	170	+1 -2.8	217	195		172.5		190.6		175.3	
200	222	+1 -3	278	250	+1.5	224.5	+1.5	245.2	+1.5	227.8	±2
250	274	+1 -3.1	336	301.5	-1	276.5	-1	296.9	-1	279.7	
300	326	+1 -3.3	393	356.5	+1.8	328.5	+1.8	351.7	+1.8	332.1	±2
350	378	+1 -3.4	448	408	-1	380.5	-1	403.4	-1	383.8	
400	429	+1 -3.5	500	462	+2.1 -1	431.5	+2.1 -1	457.2	+2.1 -1	435.8	±2.5
450	480	+1 -3.6	540	514	+2.2 -1	482.5	+2.2 -1	509	+2.2 -1	487	
500	532	+1 -3.8	604	568	+2.4 -1	534.5	+2.4 -1	562.6	+2.4 -1	539.4	±3
600	635	+1 -4	713	673.4	+2.7 -1	637.5	+2.7 -1	668	+2.7 -1	642.6	
700	738	+1 -4.2	824	788	+3.5 -1	740.5	+3.5 -1	779.3	+3.5 -1	745.8	±3.5
800	842	+1 -4.5	943	894	+3.8 -1	844.5	+3.8 -1	885.9	+3.8 -1	850	±3.8
900	945	+1 -4.8	1052	1000	+4.1 -1	947.5	+4.1 -1	991.3	+4.1 -1	953.2	±4.1
1000	1048	+1 -5	1158	1105	+4.4 -1	1050.5	+4.4 -1	1097.4	+4.4 -1	1056.4	±4.4
1100	1152	+1 -5.2	1267	1211	+4.7 -1	1155	+4.7 -1	1202.5	+4.7 -1	1160.2	±4.7
1200	1255	+1 -5.5	1377	1317	+5 -1	1258	+5 -1	1308	+5 -1	1264	±5
1400	1462	+1 -6	1610	1529	+5.6 -1	1465	+5.6 -1	1509	+5.6 -1	1471	±5.6
1600	1668	+1 -6.5	1814	1740	+6.2 -1	1673	+6.2 -1	1717	+6.2 -1	1678	±6.2

All the components can be substituted with equivalent or higher-class materials.

FITTINGS DI ref.1000B / PN 10-16-25

T type socket

DN	D7	D8	C	F		T1	T2	T3	T4		T5	T6
80	122	135	8	3.5	0 -0.8	85	40	12	6	0 -0.5	5	8
100	425	155.7	8.4	3.5		88	40	12	6		5	8
150	195.6	209	9.1	3.5		94	40	12	6		5	8
200	251	265	9.8	4		100	45	15	7		6	10
250	305	323	10.5	4		105	47	15	7		6	10
300	368.5	384	11.2	4.5	110	50	17	8.5	7		12	
350	410.3	433	11.9	4.5	110	50	17	8.5	7		12	
400	463	482.4	12.6	5	110	55	19	9.5	8		14	
450	518.4	533	13.3	5	0 -1	120	55	19	9.5		8	15
500	569.7	590.6	14	5.5	120	60	21	11	9		16	
600	676.7	698.8	15.4	6	120	65	21	12	10	16		
700	789	813	16.8	7	150	80	21	18	12	16		
800	892.2	922.3	18.2	8	160	85	21	18	14	16		
900	999.2	1030.5	19.6	9	0 -1.2	175	90	21	20	16	16	
1000	1106	1139	21	9	185	95	22	20	16	16		
1100	1213.5	1247.3	22.4	10	200	100	24	23	-0.8	18	16	
1200	1321	1355.6	23.8	10	215	105	25	23	18	17		
1400	1535	1584.5	26.6	-	-	239	115	27	25	-	18	
1600	1748	-	-	-	-	262	125	30	27	-	20	

All the components can be substituted with equivalent or higher-class materials.

FITTINGS DI ref.1000B / PN 10-16-25

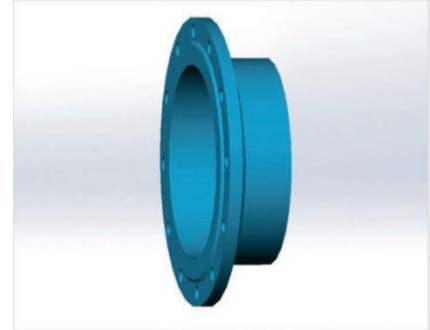
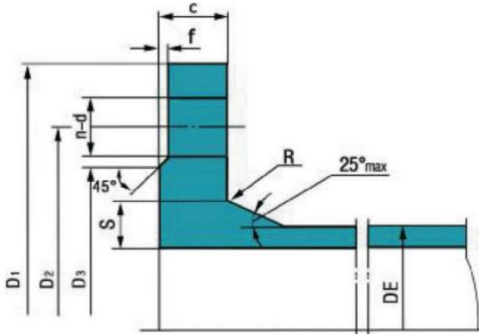
T type socket

DN	T7	T8	T9	T10	R1	R2	R4	R5	X	Y	MASS (kg)
80	48	5	39	80	4	5	22	62	6	2	3.2
100	48	5	39	88	4	5	17	68	9	3	4.3
150	48	5	43	94	4	5	18.5	74	9	3	7.1
200	56	6.2	48	100	4	6	35	70	9	3	10.3
250	58	6.8	48	105	4	6	36	72	9	3	14.2
300	61	7.2	56	110	6	7	37	74	9	3	18.6
350	61	5.1	55	113	6	7	24.5	98	9	3	23.7
400	68	5.1	58	116	6	8	26	104	9	3	29.3
450	68	6	66	120	6	8	28	105	9	3	36.2
500	75	7	63	120	6	10	29	116	9	3	42.8
600	80	9.2	62	120	6	10	32	128	9	3	59.3
700	90	10.6	77	150	8	10	35	140	15	5	79.1
800	96.5	12.4	86.5	160	8	10	38	160	15	5	102.6
900	103	14.2	92.5	175	8	10	142	175	15	5	129.9
1000	110	16	103	185	8	10	45	200	15	5	161.3
1100	116	17	107.5	200	10	12	46.5	207.5	15	5	194.7
1200	122	17.8	112	215	10	12	48	215	15	5	237.7
1400	125	19	129	239	10	12	100	205	20	7	279.3
1600	125	19	165	262	10	10	380	210	21	7	375.4

All the components can be substituted with equivalent or higher-class materials.

FITTINGS DI ref.1000B / PN 10-16-25

P N10 flange



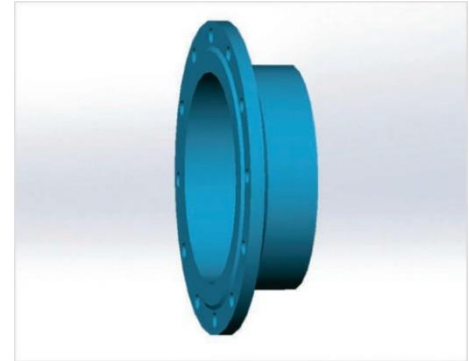
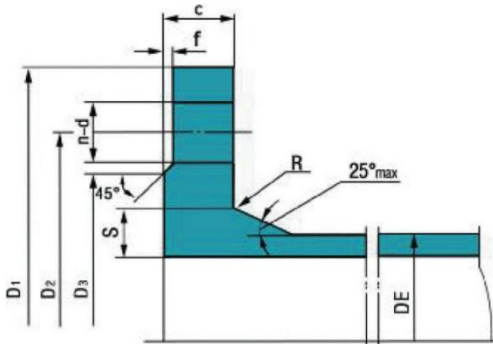
DN	D1	D2	D3	DE	C	F	S	R	BOLTS			MASS (kg)
									d	size	n	
80	200	160	132	98	19	3	15	6	19	M16	8	2.9
100	220	180	156	118	19	3	15	6	19	M16	8	3.3
150	285	240	211	170	19	3	15	8	23	M20	8	5.1
200	340	295	266	222	20	3	16	8	23	M20	8	7.1
250	400	350	319	274	22	3	17.5	10	23	M20	12	9.9
300	455	400	370	326	24.5	4	19.5	10	23	M20	12	12.9
350	505	460	429	378	24.5	4	19.5	10	23	M20	16	14.7
400	565	515	480	429	24.5	4	19.5	10	28	M24	16	17.7
450	615	565	530	480	24.5	4	20.5	12	28	M24	20	20.2
500	670	620	582	532	26.5	4	21	12	28	M24	20	24.3
600	780	725	682	635	30	5	24	12	31	M27	20	33.7
700	895	840	794	738	32.5	5	23	16	31	M27	24	46.3
800	1015	950	901	842	35	5	24.5	16	34	M30	24	62.1
900	1115	1050	1001	945	37.5	5	26.5	16	34	M30	28	73
1000	1230	1160	1112	1048	40	5	28	16	37	M33	28	92.9
1100	1340	1270	1218	1152	42.5	5	30	20	37	M33	32	105
1200	1455	1380	1328	1255	45	5	31.5	20	40	M36	32	138
1400	1675	1590	1530	1462	46	5	32	20	43	M39	36	174.7
1500	1785	1700	1640	1668	47.5	5	33	20	43	M39	36	201.4
1600	1915	1820	1750	1668	49	5	34.5	20	49	M45	40	241.8
1800	2115	2020	1950	1875	52	5	36.5	20	49	M45	44	281.9
2000	2325	2230	2150	2082	55	5	38.5	20	49	M45	48	336.5
2200	2550	2440	2370	2288	59	6	41.5	20	56	M52	52	345.6
2400	2750	2650	2570	2495	62	6	43.5	20	56	M52	56	398.8
2600	2960	2850	2780	2702	65	6	45.5	20	56	M52	60	436.9

All the components can be substituted with equivalent or higher-class materials.

DAVINCI VALVES LTD, is constantly looking at all ways of improving our products and services related to the water, fire and industry sector and therefore we reserve the right to change, without prior notice, any of the data contained here. Please contact our Technical Sales Department for detailed advice. © 2018 DAVINCI VALVES LTD.
www.davincivalves.com info@davincivalves.com +34 616553797 / +86 17340168233
 18 Dongyu Street, Square One 11th Floor 1101. Jinjiang District, Chengdu, Sichuan Province, China

FITTINGS DI ref.1000B / PN 10-16-25

P N16 flange



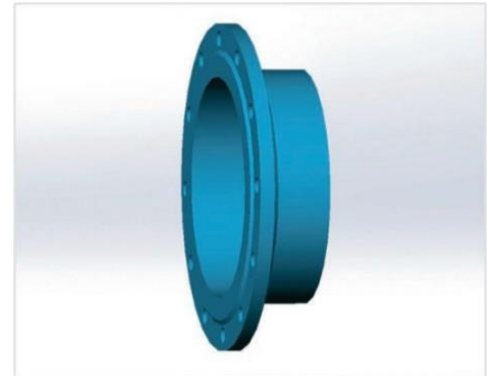
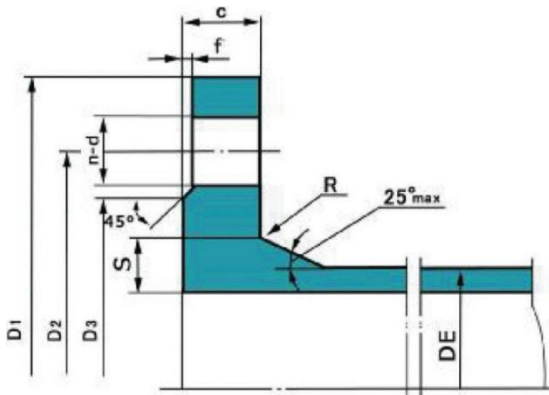
DN	D1	D2	D3	DE	C	F	S	R	BOLTS			MASS (kg)
									d	size	n	
80	200	160	132	98	19	3	15	6	19	M16	8	2.9
100	220	180	156	118	19	3	15	6	19	M16	8	3.3
150	285	240	211	170	19	3	15	8	23	M20	8	5.1
200	340	295	266	222	20	3	16	8	23	M20	12	6.9
250	400	355	319	274	22	3	17.5	10	28	M24	12	9.6
300	455	410	370	326	24.5	4	19.5	10	28	M24	12	12.6
350	520	470	429	378	26.5	4	21	10	28	M24	16	17.4
400	580	525	480	429	28	4	22.5	10	31	M27	16	22.2
450	640	585	548	480	30	4	24	12	31	M27	20	28.1
500	715	650	609	532	31.5	4	25	12	34	M30	20	37.7
600	840	770	720	635	36	5	29	12	37	M33	20	57.4
700	910	840	794	738	39.5	5	27.5	16	37	M33	24	58
800	1025	950	901	842	43	5	30	16	40	M36	24	77
900	1125	1050	1001	945	46.5	5	32.5	16	40	M36	28	92
1000	1255	1170	1112	1048	50	5	35	16	43	M39	28	127.4
1100	1355	1270	1218	1152	53.5	5	37.5	20	43	M39	32	141
1200	1485	1390	1328	1255	57	5	40	20	49	M45	32	192.9
1400	1685	1590	1530	1462	60	5	42	20	49	M45	36	231.5
1500	1820	1710	1640	1565	62.5	5	44	20	56	M52	36	280.3
1600	1930	1820	1750	1668	65	5	45.5	20	56	M52	40	331.1
1800	2130	2020	1950	1875	70	5	49	20	56	M52	44	393.7
2000	2345	2230	2150	2082	75	5	52.5	20	62	M56	48	474.5
2200	2555	2440	2370	2288	81	6	56.5	20	62	M56	52	512.3
2400	2765	2650	2570	2495	86	6	60	20	62	M56	56	601
2600	2965	2850	2780	2702	91	6	63.5	20	62	M56	60	672

All the components can be substituted with equivalent or higher-class materials.

DAVINCI VALVES LTD, is constantly looking at all ways of improving our products and services related to the water, fire and industry sector and therefore we reserve the right to change, without prior notice, any of the data contained here. Please contact our Technical Sales Department for detailed advice. © 2018 DAVINCI VALVES LTD.
www.davincivalves.com info@davincivalves.com +34 616553797 / +86 17340168233
 18 Dongyu Street, Square One 11th Floor 1101. Jinjiang District, Chengdu, Sichuan Province, China

FITTINGS DI ref.1000B / PN 10-16-25

P N25 flange



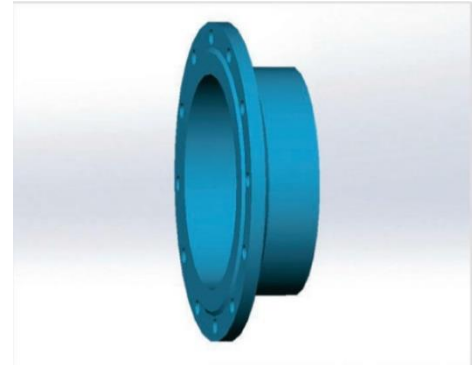
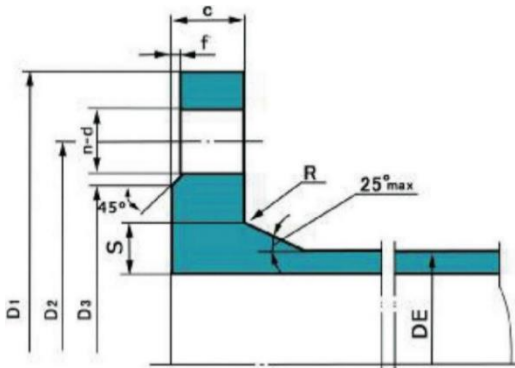
DN	D1	D2	D3	DE	C	F	S	R	BOLTS			MASS (kg)
									d	size	n	
80	200	160	132	98	19	3	15	6	19	M16	8	2.9
100	235	190	156	118	19	3	15	6	19	M20	8	3.8
150	300	250	211	170	20	3	16	8	23	M24	8	6.1
200	360	310	274	222	22	3	17.5	8	23	M24	12	8.9
250	425	370	330	274	24.5	3	19.5	10	28	M27	12	13.2
300	485	430	389	326	27.5	4	22	10	28	M27	16	18
350	555	490	448	378	30	4	24	10	28	M30	16	25.3
400	620	550	503	429	32	4	25.5	10	31	M33	16	33.2
450	670	600	548	480	34.5	4	27.5	12	31	M33	20	39
500	730	660	609	532	36.5	4	29	12	34	M33	20	48.3
600	845	770	720	635	42	5	33.5	12	37	M36	20	69.2
700	960	875	820	738	46.5	5	32.5	16	37	M39	24	89
800	1085	990	928	842	51	5	35.5	16	40	M45	24	122
900	1185	1090	1028	945	55.5	5	39	16	40	M45	28	146
1000	1320	1210	1140	1048	60	5	42	16	43	M52	28	194
1100	1420	1310	1240	1152	64.5	5	45	20	43	M52	32	224
1200	1530	1420	1350	1255	69	5	48.5	20	49	M52	32	271
1400	1755	1640	1560	1462	74	5	52	20	49	M56	36	368
1600	1975	1860	1780	1668	81	5	56.5	20	56	M56	40	486
1800	2195	2070	1985	1875	88	5	61.5	20	56	M64	44	601.9
2000	2425	2300	2210	2082	95	5	66.5	20	56	M64	48	784.9

All the components can be substituted with equivalent or higher-class materials.

DAVINCI VALVES LTD, is constantly looking at all ways of improving our products and services related to the water, fire and industry sector and therefore we reserve the right to change, without prior notice, any of the data contained here. Please contact our Technical Sales Department for detailed advice. © 2018 DAVINCI VALVES LTD.
www.davincivalves.com info@davincivalves.com +34 616553797 / +86 17340168233
 18 Dongyu Street, Square One 11th Floor 1101. Jinjiang District, Chengdu, Sichuan Province, China

FITTINGS DI ref.1000B / PN 10-16-25

P N40 flange



DN	D1	D3	C	D	F	S	MASS (kg)
40	150	84	19	16	3	15	1.7
50	165	99	19	16	3	15	2.1
60	175	108	19	16	3	15	2.1
65	185	118	19	16	3	15	2.4
80	200	132	19	16	3	15	2.9
100	235	156	19	16	3	15	3.8
125	270	184	23.5	20.5	3	16.5	5.9
150	300	211	26	23	3	18	8
200	375	284	30	27	3	21	14
250	450	345	34.5	31.5	3	24	23.2
300	515	409	39.5	35.5	4	27.5	33.5
350	580	465	44	40	4	31	46.7
400	660	535	48	44	4	33.5	66.9
500	755	615	52	48	4	36.5	82.3
600	890	735	58	53	5	40.5	124.1

Nominat Size DN	D2	Holes		Blots
		Number	Diameter L2	Nominal Diameter
40	110	4	19	M16
50	125	4	19	M16
60	135	8	19	M16
65	145	8	19	M16
80	160	8	19	M16
100	190	8	23	M20
125	220	8	28	M24
150	250	8	28	M24
200	320	12	31	M27
250	385	12	34	M30
300	450	16	34	M30
350	510	16	37	M33
400	585	16	40	M36
500	670	20	43	M39
600	795	20	49	M45

All the components can be substituted with equivalent or higher-class materials.

FITTINGS DI ref.1000B / PN 10-16-25

Flange Spigot

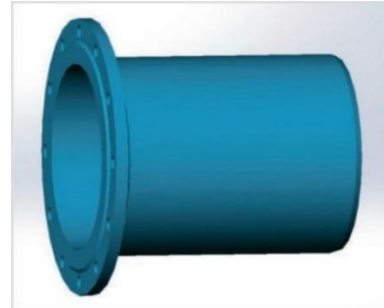
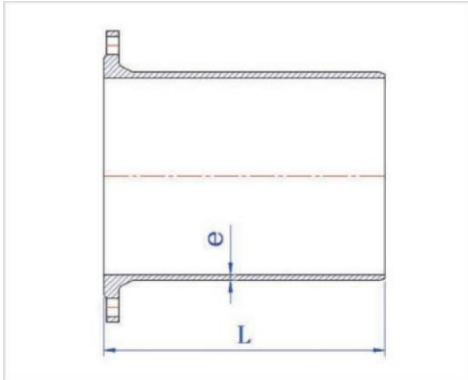


Table 1 dimensions and weight

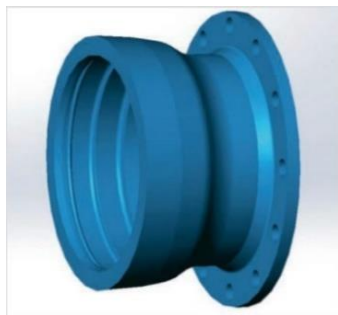
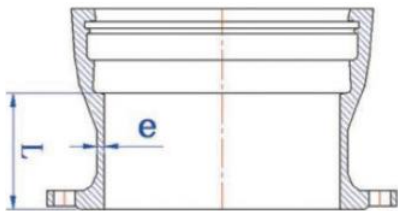
DN/mm	e/mm	L/mm	Weight (Kg)			Remark	
			PN10	PN16	PN25	ISO2531	GB/T13295
65	7	345	6.6	6.6	6.6		
80	7	350	7.8	7.8	7.8		
100	7.2	360	9.6	9.6	10.2		
125	7.5	370	12.4	12.4	13.0		
150	7.8	380	15.6	15.6	16.6		
200	8.4	400	22.5	22.5	24.5		
250	9	420	32.0	31.5	35.5		
300	9.6	440	43.0	42.5	47.5		
350	10.2	460	52.0	55.0	64.0		
400	10.8	480	64.0	70.4	81.0		
450	11.4	500	79.0	88.0	103.0		
500	12	520	94.0	109.0	121.0		
600	13.2	560	133.0	159.0	173.0		
700	14.4	600	179.0	197.0	228.0	Compliant	Compliant
800	15.6	600	226.0	245.0	294.0		
900	16.8	600	272.0	295.0	356.0		
1000	18	600	328.0	369.0	447.0		
1100	19.2	600	386.0	424.4	508.4		
1200	20.4	600	456.0	520.0	620.0		
1400	22.8	710	664.0	732.0	884.0		
1500	24	750	790.4	866.4	1017		
1600	25.2	780	922.0	1024	1173		
1800	27.6	850	1196	1322	1562		
2000	30	920	1534	1687	2040		
2200	32.4	990	1948	2115	/		
2400	34.8	1060	2409	2611	/		
2600	37.2	1130	2918	3153	/		

All the components can be substituted with equivalent or higher-class materials.

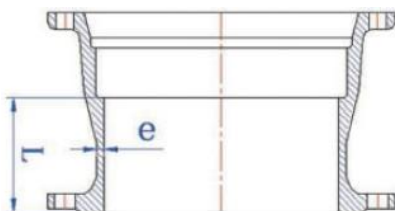
FITTINGS DI ref.1000B / PN 10-16-25

F langed Socket

Table 2 dimensions and weight



T Type



K Type

DN/mm	e/mm	L/mm	T Type Weight			K Type Weight		
			PN10	PN16	PN25	PN10	PN16	PN25
65	7.0	125	7.6	7.6	7.6	/	/	/
80	7.0	130	7.6	7.6	7.6	9.0	9.0	9.0
100	7.2	130	9.1	9.1	9.6	11.4	11.4	12.4
125	7.5	135	11.9	11.9	12.5	13.8	13.8	14.4
150	7.8	135	14.2	14.2	15.2	16.7	16.7	17.6
200	8.4	140	20.5	20.0	22.0	22.7	22.7	24.5
250	9.0	145	30.0	32.0	33.3	30.7	30.3	34.0
300	9.6	150	37	36.5	42.0	45.4	45.1	50.3
350	10.2	155	45	48.0	56.0	52.9	55.7	63.6
400	10.8	160	55	60.0	71.0	62.2	68.7	77.9
450	11.4	165	66.5	86.2	87.5	72.8	82.1	92.5
500	12.0	170	78	93.0	104.0	85.7	100.1	110.5
600	13.2	180	108	135.0	149.0	114.6	139.6	152.0
700	14.4	190	144	159.0	216.0	161.0	175.0	211.0
800	15.6	200	189	235.0	287	206.0	225.0	274.0
900	16.8	210	262.5	284.1	340.1	243.5	265.1	321.1
1000	18.0	220	328.3	366.0	458.0	307.3	345.0	417.6
1100	19.2	230	406.0	442.6	526.6	367.8	406.2	490.2
1200	20.4	240	496	554.3	664.0	456.0	521.0	664.0
1400	22.8	310	759.4	820.2	959.9	613.3	674.1	813.8
1500	24.0	330	1007	1083	1233	724.6	800.6	950.6
1600	25.2	330	1185	1278	1438	897.0	999.0	1176
1800	27.6	350	1308	1421	1638	1137	1263	1503
2000	30.0	370	1645	1798	2150	1428	1581	1933
2200	32.4	390	/	/	/	1783	1950	/
2400	34.8	410	/	/	/	2140	2465	/
2600	37.2	480	/	/	/	2679	3045	/

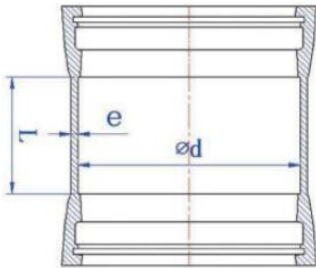
All the components can be substituted with equivalent or higher-class materials.

FITTINGS DI ref.1000B / PN 10-16-25

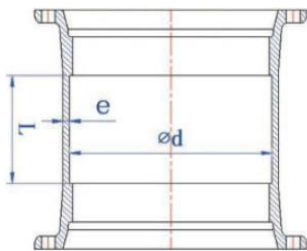
Socket Collar

T Type

Table 3 dimensions and weight



K Type



DN/ mm	e/mm	T Type			K Type		
		L/mm	d/mm	Weight	L/mm	d/mm	Weight
65	7	155	93	6.6			
80	7	160	109	7.9	410	109	13.5
100	7.2	160	130	9.9	410	130	16.5
125	7.5	165	156	12.9	415	156	20.7
150	7.8	165	183	15.9	415	183	24.4
200	8.4	170	235	23	420	235	32.6
250	9	175	288	31.5	425	288	42.5
300	9.6	180	340	41	430	340	61.7
350	10.2	185	393	52	435	393	78.6
400	10.8	190	445	64	440	445	100.4
450	11.4	195	498	91	445	498	126.9
500	12	200	550	93	450	550	134.6
600	13.2	210	655	129	460	655	171.9
700	14.4	220	760	172	470	760	261.5
800	15.6	230	865	225.7	480	865	323.4
900	16.8	240	970	291	490	970	407.7
1000	18	250	1075	357	500	1075	454.4
1100	19.2	260	1180	455	610	1180	627.8
1200	20.4	270	1285	566	620	1285	760
1400	22.8	340	1492	890	660	1492	1076
1500	24	350	1596	1113	700	1596	1248
1600	25.2	360	1699	1395	710	1699	1421
1800	27.6	380	1905	1822	730	1905	1828
2000	30	400	2107	2272	750	2107	2301
2200	32.4	420	2316	/	770	2316	2845
2400	34.8	440	2521	/	790	2521	3465
2600	37.2	460	2728	/	810	2728	4166

D values increase for T Type DN1200-2600 to ensure thickness and installation

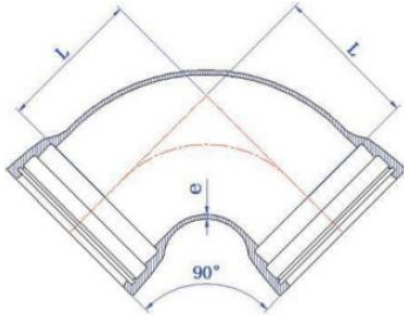
L values increase 250mm for ≤DN1000, 350mm for > DN1000, and d values increase for DN1400-2600 for K Type

All the components can be substituted with equivalent or higher-class materials.

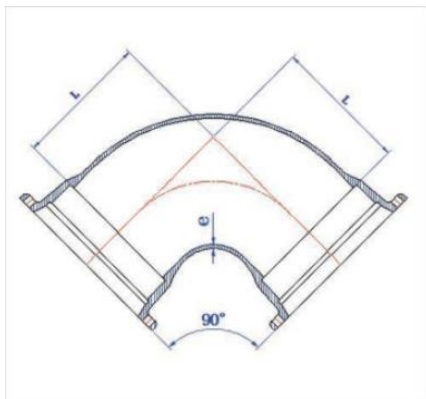
FITTINGS DI ref.1000B / PN 10-16-25

Double Socket 90° Bend

Table 4 dimensions and weight



T Type



K Type



DN/mm	e/mm	L/mm	Weight (Kg)		Remark	
			T	K	ISO2531	GB13295
65	7	85	6.9	/		
80	7	100	8.6	11.1		
100	7.2	110	11.4	16.2		
125	7.5	145	15.7	19		
150	7.8	170	20.5	25.5		
200	8.4	220	33	37.4		
250	9	270	48.5	51.3		
300	9.6	320	68	80.5		
350	10.2	370	98.4	109		
400	10.8	420	129	139		
450	11.4	470	163	172		
500	12	520	204	210	Compliant	Compliant
600	13.2	620	303	300		
700	14.4	720	436	428		
800	15.6	820	595	572		
900	16.8	920	793	778		
1000	18	1020	1045	986		
1100	19.2	1120	1358	1176		
1200	20.4	1220	1663	1624		
1400	22.8	1220	2419	2419		
1500	24	1270	2985	2598		
1600	25.2	1290	3444	3014		
1800	27.6	1320	4283	3833		

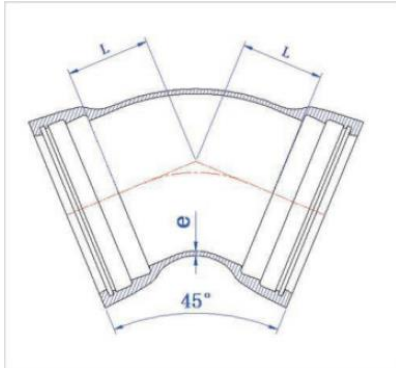
All the components can be substituted with equivalent or higher-class materials.

FITTINGS DI ref.1000B / PN 10-16-25

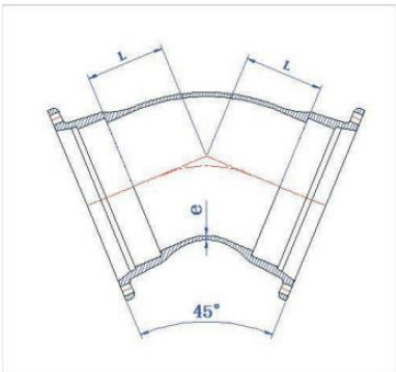
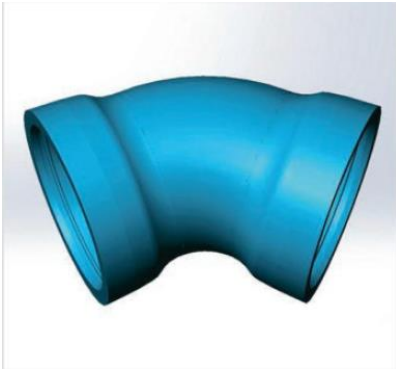
Double Socket 45° Bend

Table 5 dimensions and weight

DN/mm	e/mm	L/mm	Weight (Kg)		Remark	
			T	K	ISO2531	GB13295
65	7	50	6.3	/		
80	7	50	7.7	10.3		
100	7.2	60	10.1	14.9		
125	7.5	75	13.6	16.9		
150	7.8	85	17.4	22.5		
200	8.4	110	27	31.4		
250	9	130	38.5	41.3		
300	9.6	150	53	65.3		
350	10.2	175	70	80.5		
400	10.8	195	89	99.4		
450	11.4	220	123	132		
500	12	240	139	145.4	Compliant	Compliant
600	13.2	285	202	198		
700	14.4	330	282	302		
800	15.6	370	378	395		
900	16.8	415	496	539		
1000	18	460	635	734		
1100	19.2	505	842.5	769.7		
1200	20.4	550	986	937		
1400	22.8	515	1509	1273		
1500	24	540	1803	1415		
1600	25.2	565	2117	1740		
1800	27.6	610	2615	2296		
2000	30	660	/	2970		
2200	32.4	710	/	3762	As sizes of the sockets go up, their weights become higher than ISO2531	
2400	34.8	755	/	4854		
2600	37.2	805	/	5943		



T Type



K Type



All the components can be substituted with equivalent or higher-class materials.

FITTINGS DI ref.1000B / PN 10-16-25

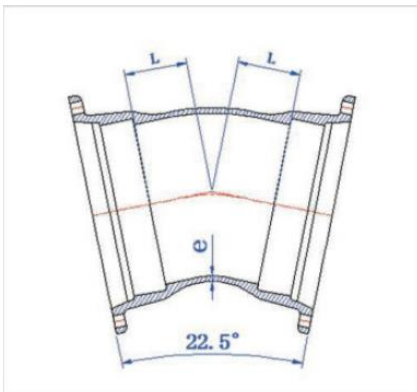
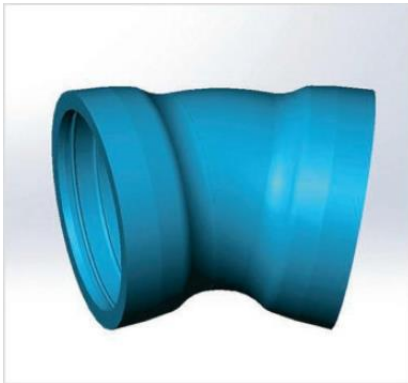
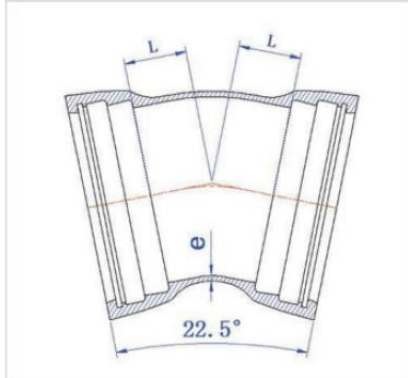
Double Socket 22.5° Bend

Table 6 dimensions and weight

DN/mm	e/mm	L/mm	Weight (Kg)		Remark	
			T	K	ISO2531	GB13295
65	7	35	6	/		
80	7	40	7.3	9.9		
100	7.2	40	9.3	14.1		
125	7.5	50	12.6	15.9		
150	7.8	55	15.9	21		
200	8.4	65	24	28.4		
250	9	75	33.5	36.3	Compliant	Compliant
300	9.6	85	44.5	55.5		
350	10.2	95	58	68.2		
400	10.8	110	74	84.4		
450	11.4	120	93	110		
500	12	130	111	117.6		
600	13.2	150	157	154		
700	14.4	175	248	240		
800	15.6	195	331	308		
900	16.8	220	432	417		
1000	18	240	550	469		
1100	19.2	260	710	568		
1200	20.4	285	851	689		
1400	22.8	260	1241	857		
1500	24	270	1410	994.6		
1600	25.2	280	1628	1198		
1800	27.6	305	2037	1588		
2000	30	330	/	2144		
2200	32.4	355	/	2707	Compliant	Compliant
2400	34.8	380	/	3548		
2600	37.2	400	/	4309		

T Type

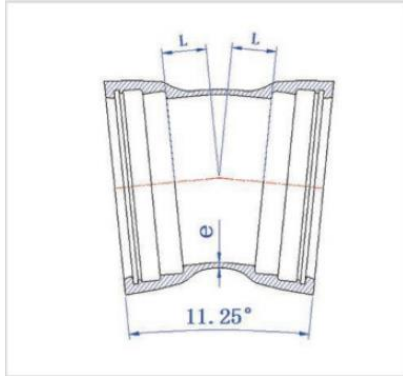
K Type



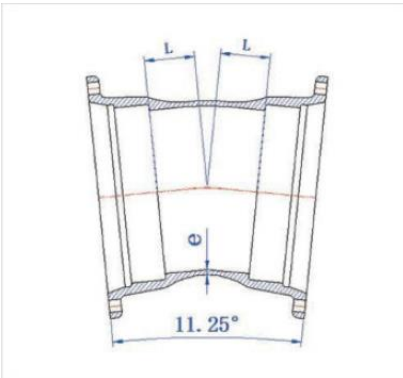
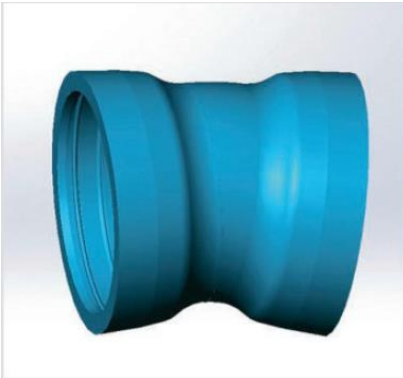
All the components can be substituted with equivalent or higher-class materials.

FITTINGS DI ref.1000B / PN 10-16-25

Double Socket 11.25° Bend



T Type



K Type



Table 7 dimensions and weight

DN/mm	e/mm	L/mm	Weight (Kg)		Remark	
			T	K	ISO2531	GB13295
65	7	25	5.9	/		
80	7	30	7.1	9.7		
100	7.2	30	8.9	12.3		
125	7.5	35	11.9	15.2		
150	7.8	35	14.8	18.2		
200	8.4	40	22	24.2		
250	9	50	30.5	32.7	Compliant	Compliant
300	9.6	55	40.5	53.4		
350	10.2	60	52	62.6		
400	10.8	65	65	73.6		
450	11.4	70	70.5	88.5		
500	12	75	96	102.7		
600	13.2	85	134	135.4		
700	14.4	95	216	180.8		
800	15.6	110	286	231.3		
900	16.8	120	374	298.7		
1000	18	130	473	380.5		
1100	19.2	140	600	455		
1200	20.4	150	724	541		
1400	22.8	130	1047	672		
1500	24	140	1198	785.6		
1600	25.2	140	1376	1007		
1800	27.6	155	1704	1331		
2000	30	165	/	1702		
2200	32.4	190	/	2183	Compliant	Compliant
2400	34.8	205	/	2898		
2600	37.2	215	/	3512		

T Type 11.25° double sockets DN700-1500 weights are higher than ISO2531 standard

As DN goes up, K Type sockets weights grow higher than ISO2531 standard

All the components can be substituted with equivalent or higher-class materials.

FITTINGS DI ref.1000B / PN 10-16-25

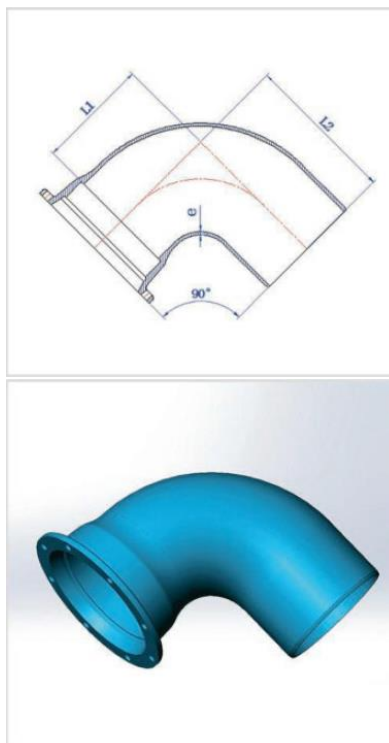
Socket Spigot 90° Bend

Table 8 dimensions and weight

DN/mm	e/mm	L1/mm	L2/mm	Weight (Kg)		Remark	
				τ	κ	ISO2531	GB13295
65	7	85	265	6.4	/	Compliant	
80	7	100	280	9	9.3		
100	7.2	110	300	11.9	14.3		
125	7.5	145	325	14.4	16.3		
150	7.8	170	350	21.4	23.9		
200	8.4	220	400	34.2	36.4		
250	9	270	450	54.1	51.6		
300	9.6	320	500	69.6	75		
350	10.2	370	550	99.7	90.5		
400	10.8	420	600	130	135		
450	11.4	470	670	165	148.5		
500	12	520	720	205	183.3		
600	13.2	620	820	301	268.3		
700	14.4	720	900	379	374		
800	15.6	820	1000	521	508		
900	16.8	920	1100	694	675		
1000	18	1020	1200	896	875		
1100	19.2	1120	1300	1139	1103		
1200	20.4	1220	1400	1422	1366		
1400	22.8	1220	1400	1924	1778		
1500	24	1270	1525	2332	2138		
1600	25.2	1290	1555	2685	2470		
1800	27.6	1320	1560	3320	3095		



T Type

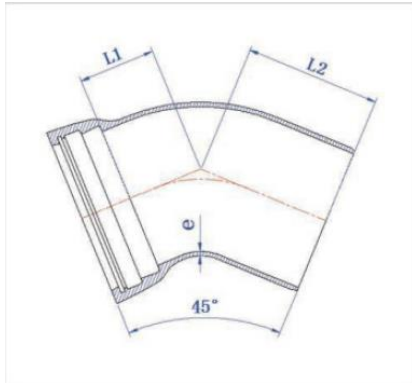


K Type

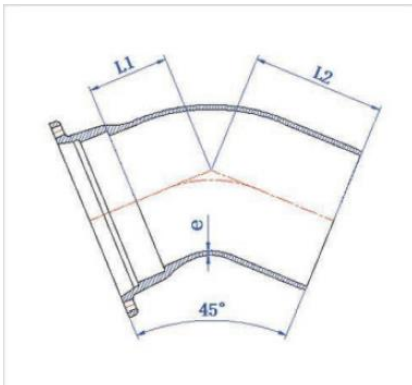
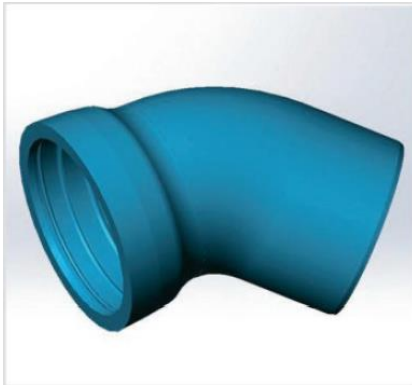
All the components can be substituted with equivalent or higher-class materials.

FITTINGS DI ref.1000B / PN 10-16-25

Socket Spigot 45° Bend



T Type



K Type

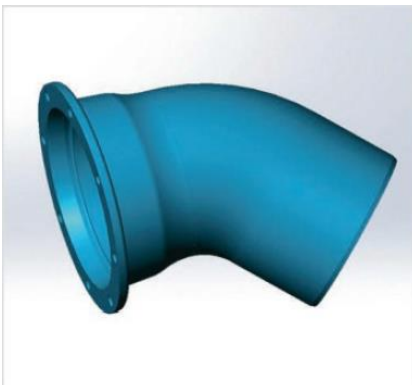


Table 9 dimensions and weight

DN/mm	e/mm	L1/mm	L2/mm	Weight (Kg)		Remark	
				T	K	ISO2531	GB13295
65	7	50	230	5.8	/	Compliant	
80	7	50	235	8.1	8.4		
100	7.2	60	245	10.6	13		
125	7.5	75	255	12.3	14.2		
150	7.8	85	265	18.2	20.7		
200	8.4	110	290	28.2	30.4		
250	9	130	310	40.2	36.7		
300	9.6	150	330	54.6	42.9		
350	10.2	175	355	71.3	69.3		
400	10.8	195	375	89.9	95.1		
450	11.4	220	420	125	109.5		
500	12	240	440	139	142		
600	13.2	285	485	200	198		
700	14.4	330	580	310	302		
800	15.6	370	620	418	357.3		
900	16.8	415	665	554	778		
1000	18	460	760	710	710		
1100	19.2	505	805	805	769		
1200	20.4	550	850	985	929		
1400	22.8	515	815	1329	1183		
1500	24	540	840	1568	1374		
1600	25.2	565	885	1845	1631		
1800	27.6	610	890	2282	2058		
2000	30	660	920	/	2656		
2200	32.4	710	990	/	3378		
2400	34.8	755	1025	/	4243		
2600	37.2	805	1120	/	5272		

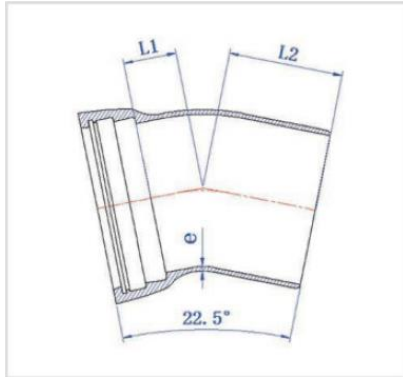
As DN goes up, K Type sockets weights grow higher than GB13295 standard

All the components can be substituted with equivalent or higher-class materials.

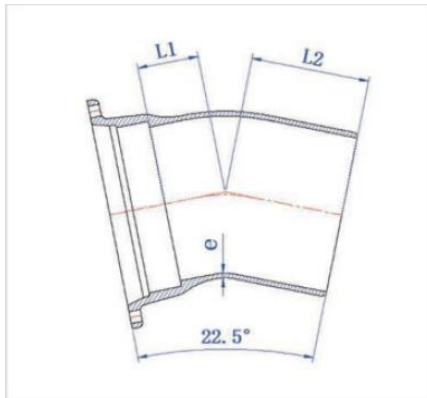
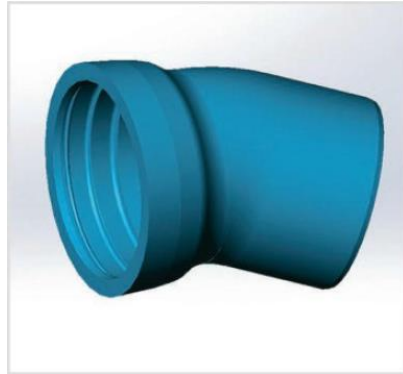
FITTINGS DI ref.1000B / PN 10-16-25

Socket Spigot 22.5° Bend

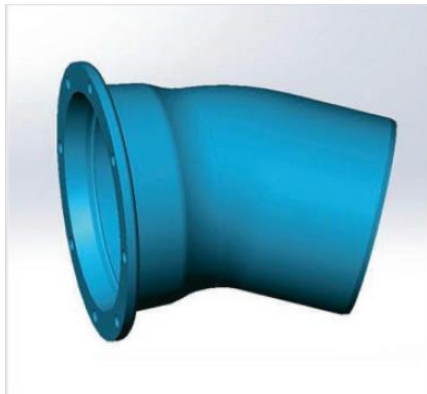
Table 10 dimensions and weight



T Type



K Type



DN/mm	e/mm	L1/mm	L2/mm	Weight (Kg)		Remark	
				T	K	ISO2531	GB13295
65	7	35	215	5.5	/	Compliant	
80	7	40	220	7.7	8.1		
100	7.2	40	220	9.8	10.2		
125	7.5	50	230	11.2	13.1		
150	7.8	55	235	16.8	16.2		
200	8.4	65	245	25.2	22.8		
250	9	75	255	35.2	31.1		
300	9.6	85	265	46.2	46.5		
350	10.2	95	275	59	56.9		
400	10.8	110	290	79.5	84.7		
450	11.4	120	320	107	87.8		
500	12	130	330	117	104.2		
600	13.2	150	350	161	142.7		
700	14.4	175	425	248	240		
800	15.6	195	445	331	308		
900	16.8	220	470	432	388		
1000	18	240	540	550	425		
1100	19.2	260	560	588.7	552.3		
1200	20.4	285	585	851	669		
1400	22.8	260	560	1241	833.1		
1500	24	270	570	1320	961.3		
1600	25.2	280	640	1398	1377		
1800	27.6	305	665	2245	1837		
2000	30	330	730	/	2373		
2200	32.4	355	755	/	2505		
2400	34.8	380	780	/	3168		
2600	37.2	400	800	/	3805		

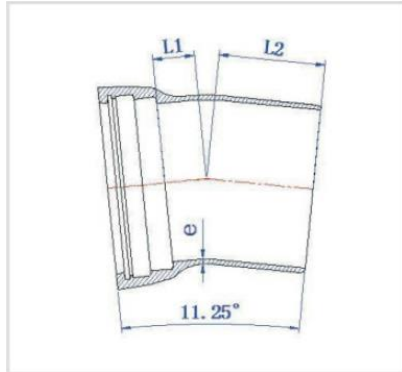
As DN goes up, K Type sockets weights grow higher than GB13295 standard

All the components can be substituted with equivalent or higher-class materials.

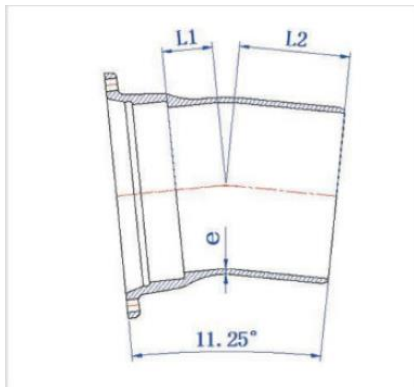
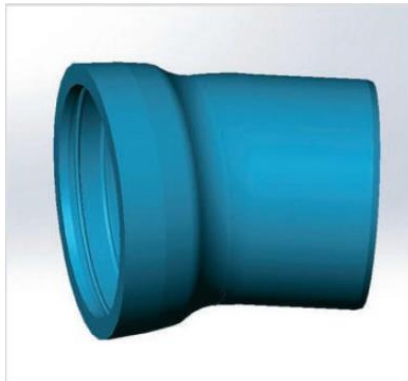
FITTINGS DI ref.1000B / PN 10-16-25

Socket Spigot 11.25° Bend

Table 11 dimensions and weight



T Type



K Type



DN/mm	e/mm	L1/mm	L2/mm	Weight (Kg)		Remark	
				T	K	ISO2531	GB13295
65	7	25	205	5.3	/	Compliant	
80	7	30	210	7.4	7.4		
100	7.2	30	210	9.4	11.7		
125	7.5	35	215	10.6	12.5		
150	7.8	35	215	16	15.7		
200	8.4	40	220	23.2	25.4		
250	9	50	230	32.2	33.6		
300	9.6	55	235	42.2	47.6		
350	10.2	60	240	53.3	58.5		
400	10.8	65	245	70.5	75.7		
450	11.4	70	270	97	101		
500	12	75	275	102	104		
600	13.2	85	285	138	136		
700	14.4	95	345	216	208		
800	15.6	110	360	286	263		
900	16.8	120	370	374	359		
1000	18	130	430	473	473		
1100	19.2	140	440	475.5	439.1		
1200	20.4	150	450	724	724		
1400	22.8	130	430	1047	1047		
1500	24	140	440	1097	1091		
1600	25.2	140	500	1146	1134		
1800	27.6	155	515	1434	1209		
2000	30	165	565	/	1573		
2200	32.4	190	590	/	1985		
2400	34.8	205	605	/	2516		
2600	37.2	215	615	/	3008		

As DN goes up, K Type sockets weights grow higher than GB13295 standard

All the components can be substituted with equivalent or higher-class materials.

FITTINGS DI ref.1000B / PN 10-16-25

Double Flange 90° Bend

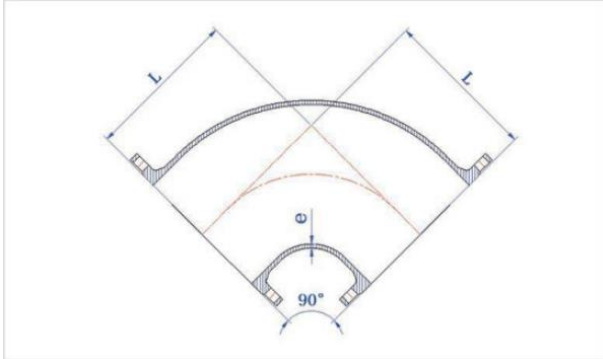


Table 12 dimensions and weight

DN/mm	e/mm	L/mm	Weight (Kg)			Remark	
			PN10	PN16	PN25	ISO2531	GB/T13295
65	7	165	8.7	8.7	8.7		
80	7	165	9.6	9.6	9.6		
100	7.2	180	11.9	11.9	12.9		
125	7.5	200	15.6	15.6	16.9		
150	7.8	220	20	20	22		
200	8.4	260	31	30.5	34.5		
250	9	350	50	49.5	57		
300	9.6	400	70	70	81		
350	10.2	450	90	96	113		
400	10.8	500	116	127	149	Compliant	Compliant
450	11.4	550	143	161	181.8		
500	12	600	181	211	235		
600	13.2	700	272	325	353		
700	14.4	800	399	429	473.6		
800	15.6	900	552	590	653		
900	16.8	1000	722	770	840.8		
1000	18	1100	937	1020	1163		
1200	20.4	1300	1490	1619	1728		
1400	22.8	1470	2199	2335	2640		

All the components can be substituted with equivalent or higher-class materials.

FITTINGS DI ref.1000B / PN 10-16-25

Double Flange 45° Bend

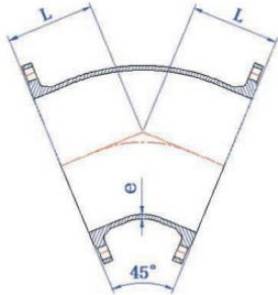


Table 13 dimensions and weight

DN/mm	e/mm	L/mm	Weight (Kg)			Remark	
			PN10	PN16	PN25	ISO2531	GB/T13295
65	7	165	8.7	8.7	8.7		
80	7	130	9.3	9.3	9.3		
100	7.2	140	11.3	11.3	12.4		
125	7.5	150	14.6	14.6	15.9		
150	7.8	160	18.6	18.6	21		
200	8.4	180	27.5	27	31.5		
250	9	350	55	54	62		
300	9.6	400	78	77	88		
350	10.2	300	76	83	97.2		
400	10.8	325	96	107	129		
450	11.4	350	116	133.8	158		
500	12	375	145	175	198		
600	13.2	425	212	266	294		
700	14.4	480	296	326	387.6	Compliant	Compliant
800	15.6	530	403	442	528		
900	16.8	580	519	567	668.7		
1000	18	630	668	751	880.6		
1100	19.2	695	841.2	918	1137		
1200	20.4	750	1050	1178	1345		
1400	22.8	775	1388	1524	1852		
1500	24	810	1665	1788	2088		
1600	25.2	845	1915	2119	2416		
1800	27.6	910	2465	2717	3125		
2000	30	920	3149	3455	3907		
2200	32.4	930	3446	3804	/		
2400	34.8	945	4277	4719	/		
2600	37.2	1005	5175	5695	/		

All the components can be substituted with equivalent or higher-class materials.

FITTINGS DI ref.1000B / PN 10-16-25

Double Flange 22.5° Bend

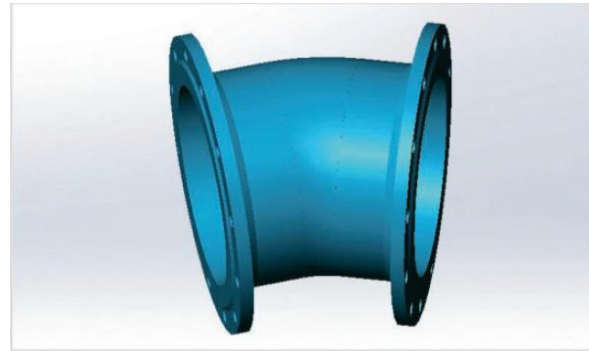
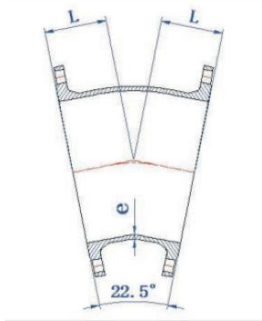


Table 14 dimensions and weight

DN/mm	e/mm	L/mm	Weight (Kg)			Remark
			PN10	PN16	PN25	
80	7	130	9.4	9.4	9.4	
100	7.2	140	11.5	11.5	12.5	
125	7.5	150	14.7	14.7	15.9	
150	7.8	160	19.1	19.1	21	
200	8.4	180	28.5	28	32	
250	9	350	56.5	56	63.5	
300	9.6	400	79	78.5	89	
350	10.2	298	78.5	84	99.5	
400	10.8	324	99.5	109	131	
450	11.4	349	122	138	160	
500	12	375	151	178	199	
600	13.2	426	221	268	292	
700	14.4	478	311	334	/	This type is not included in ISO2531 or GB/T13295 standard, we include in this catalogue as per the market
800	15.6	529	423	453	/	
900	16.8	581	543	581	/	
1000	18	632	700	769	/	
1100	19.2	683	877	947	/	
1200	20.4	735	1088	1198	/	
1400	22.8	835	1551	1664	/	
1500	24	885	1838	2014	/	
1600	25.2	940	2190	2369	/	
1800	27.6	480	1640	1864	/	
2000	30	520	2081	2357	/	
2100	31.2	540	2371	2700	/	
2200	32.4	560	2484.8	2818.8	/	
2400	34.8	600	3032.8	3427.8	/	
2600	37.2	640	3645.8	4116.4	/	

All the components can be substituted with equivalent or higher-class materials.

FITTINGS DI ref.1000B / PN 10-16-25

Double Flange 11.25° Bend

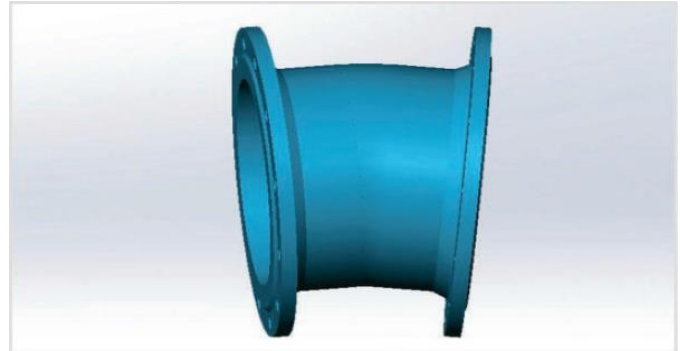
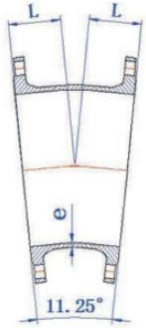


Table 15 dimensions and weight

DN/mm	e/mm	L/mm	Weight (Kg)			Remark
			PN10	PN16	PN25	
80	7	130	9.5	9.5	9.5	
100	7.2	140	11.5	11.5	12.5	
125	7.5	150	14.8	14.8	16	
150	7.8	160	19.1	19.1	21	
200	8.4	180	28.5	28	32	
250	9	350	56.5	56	63.5	
300	9.6	400	79.5	79	89.5	
350	10.2	298	79	84	100	
400	10.8	324	100	109	131	
450	11.4	349	123	139	160	
500	12	375	152	179	200	
600	13.2	426	222	269	294	
700	14.4	478	313	336	/	
800	15.6	529	426	455	/	
900	16.8	581	546	584	/	
1000	18	632	704	773	/	
1100	19.2	683	882	952	/	
1200	20.4	735	1094	1204	/	
1400	22.8	835	1560	1674	/	
1500	24	885	1849	2025	/	
1600	25.2	940	2203	2382	/	
1800	27.6	345	1342	1566	/	
2000	30	375	1694	1970	/	
2100	31.2	390	1939	2267	/	
2200	32.4	405	1995.8	2329.8	/	
2400	34.8	435	2420	2824.8	/	
2600	37.2	465	2899.8	3369.4	/	

This type is not included in ISO2531 or GB/T13295 standard, we include in this catalogue as per the market

All the components can be substituted with equivalent or higher-class materials.

FITTINGS DI ref.1000B / PN 10-16-25

Double Flange 90° Duck Foot Bend

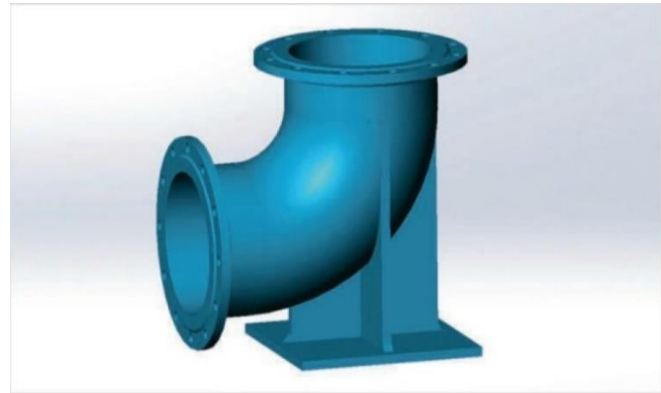
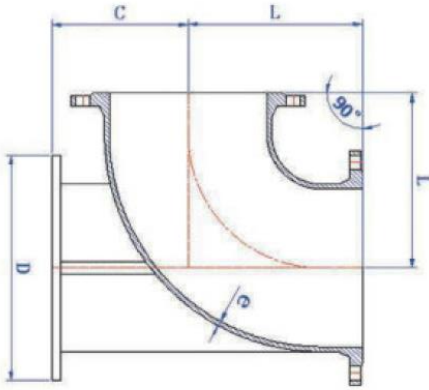


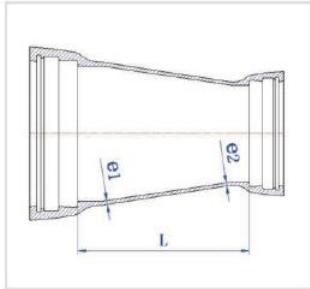
Table 16 dimensions and weight

DN/mm	e/mm	L/mm	C/mm	D/mm	Weight (Kg)			Remark
					PN10	PN16	PN25	
65	7	165	100	165	11.6	11.6	11.6	Compliant with ISO2531 and GB/T13295 standard
80	7	165	110	180	14.1	14.1	14.1	
100	7.2	180	125	200	17.8	17.8	18.8	
125	7.5	200	140	225	23.5	23.5	24.5	
150	7.8	220	160	250	30	30	32	
200	8.4	260	190	300	46.5	46	50.5	
250	9	350	225	350	75	75	82	
300	9.6	400	255	400	106	105	116	
350	10.2	450	290	450	139	145	162	
400	10.8	500	320	500	178	189	212	
450	11.4	550	355	550	229	249	275	
500	12	600	385	600	283	313	337	
600	13.2	700	450	700	428	481	509	
700	14.4	800	515	800	700	741	811	
800	15.6	900	580	900	846	884	982	
900	16.8	1000	645	1000	1118	1165	1286	
1000	18	1100	710	1100	1698	1781	1937	

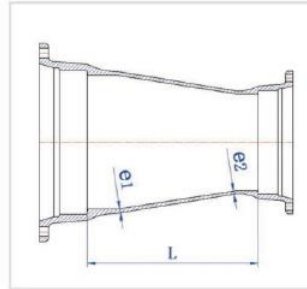
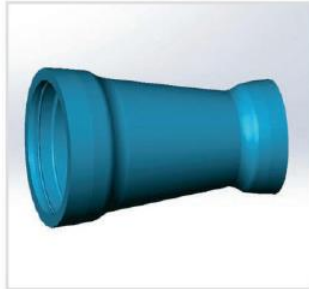
All the components can be substituted with equivalent or higher-class materials.

FITTINGS DI ref.1000B / PN 10-16-25

Double Socket Reducer



K Type



T Type



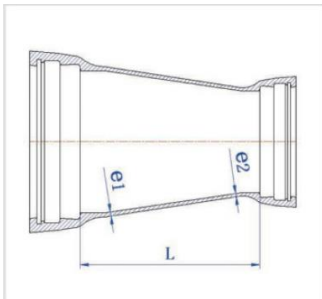
Table 17 dimensions and weight

DN/mm	e1/mm	dn/mm	e2/mm	L/mm	Weight (Kg)		Remark	DN/mm	e1/mm	dn/mm	e2/mm	L/mm	Weight (Kg)		Remark
					T	K							T	K	
100	7.2	80	7	90	8.5	12.3	Compliant	500	12	80	7	900	101	109.8	Compliant
150	7.8	100	7.2	150	13.8	18.7	Compliant	500	12	150	7.2	250	20.5	25.2	Compliant
200	8.4	150	7.2	250	20.5	25.2	Compliant	500	12	250	9	560	101	113	Compliant
250	9	200	7.8	250	29	33.2	Compliant	500	12	350	10.2	360	98	115	Compliant
250	9	250	7.2	330	28.5	32.2	Compliant	500	12	450	11.4	160	99.5	106	Compliant
300	9.6	300	7.8	350	39.5	46.9	Compliant	600	13.2	80	7	1100	152	153	Compliant
300	9.6	350	7.2	430	39	46.9	Compliant	600	13.2	150	7.8	960	153	159	Compliant
300	9.6	400	8.4	250	39.5	46.8	Compliant	600	13.2	250	9	150	38.5	45.7	Compliant
350	10.2	450	7	600	51.5	57.9	Compliant	600	13.2	350	10.2	560	151	159	Compliant
350	10.2	500	7.8	460	52	60.1	Compliant	600	13.2	450	11.4	360	149	151	Compliant
350	10.2	550	8.4	360	52	60.1	Compliant	600	13.2	500	11.4	360	149	151	Compliant
400	10.8	600	9.6	160	49.5	64.9	Compliant	700	14.4	250	9	980	216.1	212.3	Compliant
400	10.8	650	7.2	660	65	72.3	Compliant	700	14.4	300	9.6	880	218.5	216.3	Compliant
400	10.8	700	7.8	560	66.5	78.4	Compliant	700	14.4	350	10.2	780	212.4	212.9	Compliant
400	10.8	750	8.4	460	67	78.3	Compliant	700	14.4	400	10.8	680	206.7	208.5	Compliant
400	10.8	800	9	360	66	77.2	Compliant	700	14.4	450	11.4	580	199.6	204.1	Compliant
400	10.8	850	10.2	160	62	78	Compliant	700	14.4	500	12	480	194	204	Compliant
450	11.4	900	7	800	87.9	88.5	Compliant	800	15.6	400	10.8	880	285	277.9	Compliant
450	11.4	950	7.2	760	87.9	94.2	Compliant	800	15.6	450	11.4	780	277.7	273.5	Compliant
450	11.4	1000	8.4	560	89.2	95.3	Compliant	800	15.6	500	12	680	272.2	266.6	Compliant
450	11.4	1050	9.6	360	88.1	97.1	Compliant	800	15.6	600	13.2	480	252	257	Compliant
450	11.4	1100	10.2	160	83.1	92	Compliant	800	15.6	700	14.4	280	229	236	Compliant

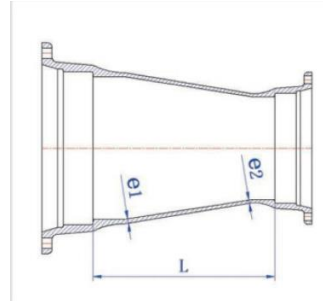
All the components can be substituted with equivalent or higher-class materials.

FITTINGS DI ref.1000B / PN 10-16-25

Double Socket Reducer



T Type



K Type

Table 17 dimensions and weight

DN/mm	e1/mm	dn/mm	e2/mm	L/mm	Weight (Kg)		Remark
					T	K	
900	16.8	400	10.8	1080	387.4	366.6	Compliant
		450	11.4	980	372.2	362.2	
		500	12	880	366.8	355.4	
		600	13.2	680	349.4	336.7	
		700	14.4	480	337.4	327	
		800	15.6	280	312.7	294	
1000	18	600	13.2	880	476	445	
		700	14.4	680	446.3	420.8	
		800	15.6	480	392	403	
		900	16.8	280	354	368	
1100	19.2	600	13.2	1080	588.5	558.4	
		700	14.4	880	576.5	535.6	
		800	15.6	680	552	502.4	
		900	16.8	480	521	465.6	
		1000	18	280	479.2	421.8	
1200	20.4	600	13.2	1280	745	691.8	
		700	14.4	1080	729.6	669.1	
		800	15.6	880	710.7	636	
		900	16.8	680	674.3	599.3	
		1000	18	480	632.6	555.6	
		1100	19.2	280	584.8	492.4	
1400	22.8	600	13.2	960	844.4	704.6	
		700	14.4	860	855.6	705	
		800	15.6	760	859.5	700.2	
		900	16.8	660	862.8	697.7	
		1000	18	560	861.6	694.5	
		1100	19.2	460	861.4	678.9	
1600	25.2	800	15.6	960	1207	978.7	
		900	16.8	860	1220	985.7	
		1000	18	760	1211	974.1	
		1200	20.4	560	1212	940.9	
		1400	22.8	360	1244	936	

DN/mm	e1/mm	dn/mm	e2/mm	L/mm	Weight (Kg)		Remark
					T	K	
1800	27.6	1000	18	960	1547	1301	Compliant
		1200	20.4	760	1549	1269	
		1400	22.8	560	1581	1210	
		1600	25.2	360	1605	1235	
2000	30	1000	18	1160	/	1696	
		1200	20.4	960	/	1663	
		1400	22.8	760	/	1605	
		1600	25.2	560	/	1560	
2200	32.4	1800	27.6	360	/	1566	
		1000	18	1360	/	2243	
		1200	20.4	1160	/	2325	
		1400	22.8	960	/	2288	
		1600	25.2	760	/	2266	
		1800	27.6	560	/	2211	
2400	34.8	2000	30	360	/	2134	
		1000	18	1460	/	2780	
		1200	20.4	1360	/	2865	
		1400	22.8	1160	/	2946	
		1600	25.2	960	/	2892	
		1800	27.6	760	/	2872	
2600	37.2	2200	32.4	360	/	2797	
		2000	30	560	/	2797	
		2200	32.4	360	/	2374	
		1000	18	1560	/	3177	
		1200	20.4	1460	/	3259	
		1400	22.8	1360	/	3328	
		1600	25.2	1160	/	3285	
		1800	27.6	960	/	3208	
		2000	30	760	/	3109	
		2200	32.4	560	/	2971	
2400	34.8	360	/	2877			

All the components can be substituted with equivalent or higher-class materials.

FITTINGS DI ref.1000B / PN 10-16-25

Double Flange Reducer

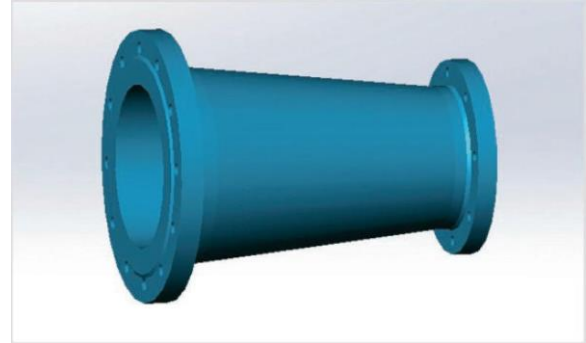
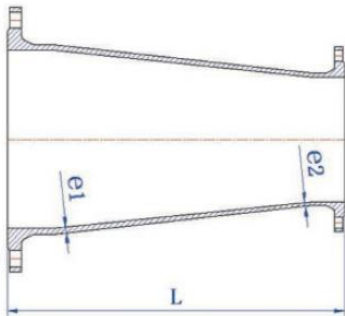


Table 18 dimensions and weight

DN/mm	e1/mm	dn/mm	e2/mm	L /mm	Weight (Kg)			Remark
					T	K	PN25	
100	7.2	80	7	200	9.3	9.3	9.8	Compliant
150	7.8	80	7	300	16.4	16.4	16	
		100	7.2	280	16	16	17.5	
200	8.4	80	7	600	25.1	25.1	26.9	
		100	7.2	600	26.7	26.7	29.1	
		150	7.8	300	22	21.5	25	
250	9	100	7.2	600	33	32.6	36.8	
		150	7.8	600	38.1	37.7	42.3	
		200	8.4	300	30	29.5	35.5	
300	9.6	80	7	700	42	41.7	46.9	
		100	7.2	700	44	43.6	49.4	
		150	7.8	650	47.4	47.1	53.2	
		200	8.4	600	50.7	50.5	57.5	
350	10.2	250	9	300	40.5	39.5	49	
		80	7	750	50.3	53.1	61	
		100	7.2	750	52.5	55.2	63.7	
		150	7.8	700	56	58.8	67.7	
		200	8.4	650	59.4	62.3	72	
400	10.8	250	9	600	63.4	65.8	77.4	
		300	9.6	300	49.5	52	66	
		80	7	800	60.6	67.1	61.9	
		100	7.2	800	62.9	69.4	79.1	
		150	7.8	750	66.6	73.1	83.2	
		200	8.1	700	69.5	76	87	
		250	9	650	74.2	80.4	93.2	
450	11.4	300	9.6	600	78.1	84.3	98.7	
		350	10.2	300	58	67	86	
		80	7	900	74.1	83.4	93.8	
		100	7.2	900	76.7	86	96.9	
		150	7.8	800	77.4	86.7	98	
		200	8.4	750	81	90.4	102.6	
		250	9	700	85.2	94.2	108.2	
500	12	300	9.6	650	89.3	98.3	113.9	
		350	10.2	600	91.1	103.2	121.5	
		400	10.8	300	72.4	86.6	113	
		400	10.8	300	72.4	86.6	113	

DN/mm	e1/mm	dn/mm	e2/mm	L /mm	Weight (Kg)			Remark	
					T	K	PN25		
500	12	80	7	950	88.8	103.2	113.6	Compliant	
		100	7.2	950	91.6	105.9	116.9		
		150	7.8	900	95.8	110.2	121.6		
		200	8.4	800	95.7	110.1	122.3		
		250	9	750	100	114.1	128.1		
		300	9.6	700	104.2	118.3	133.9		
		350	10.2	650	106.1	123.3	141.6		
		400	10.8	600	110	130	153		
		450	11.4	300	76.9	100.6	121.4		
		600	13.2	80	7	1050	122.4		147.4
100	7.2			1050	125.6	150.6	163.5		
150	7.8			1000	130.1	155.1	168.5		
250	9			900	139.5	164.1	180.2		
300	9.6			800	138.3	163	180.6		
350	10.2			750	140.4	168.2	188.5		
400	10.8			700	142.9	174.4	196		
450	11.4			650	143.8	178.1	200.9		
500	12			600	149	190	216		
700	14.4			200	8.4	1100	181.1		195.3
		250	9	1050	186.8	200.6	236.7		
		300	9.6	1000	192.4	206.2	243.9		
		350	10.2	900	188.3	205.2	245.6		
		400	10.8	800	183.5	204.1	245.8		
		450	11.4	750	184.7	208.1	251		
		500	12	700	187.7	216.2	259.1		
		600	13.2	600	195	236	288		
		800	15.6	400	10.8	1030	260.8	285	340.2
				450	11.4	900	247.8	274.8	331.2
500	12			800	241.2	273.3	329.7		
600	13.2			700	245.7	288.4	346.8		
700	14.4			600	250	285	374		

All the components can be substituted with equivalent or higher-class materials.

FITTINGS DI ref.1000B / PN 10-16-25

Double Flange Reducer

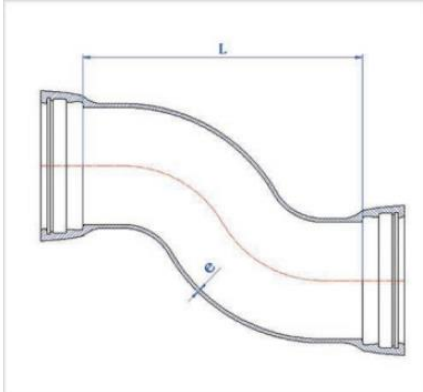
DN/mm	e1/mm	dn/mm	e2/mm	L/mm	Weight (Kg)			Remark
					T	K	PN25	ISO2531
900	16.8	400	10.8	1100	311.5	339.6	404.8	
		450	11.4	1050	314.1	345	411.4	
		500	12	1000	318.8	354.8	421.2	
		600	13.2	800	300.2	346.8	415.2	
		700	14.4	700	301.9	337.6	426.1	
		800	15.6	600	308	352	468	
1000	18	600	13.2	1000	398.6	461.3	546.3	
		700	14.4	800	371.6	423.4	528.5	
		800	15.6	700	376.2	431.6	550.2	
		900	16.8	600	373	438	585	
1100	19.2	600	13.2	1100	479.1	542.5	638.9	
		700	14.4	1000	483.9	536.4	652.9	
		800	15.6	800	454.4	510.5	640.5	
		900	16.8	700	448.1	508.1	648.1	
1200	20.4	600	13.2	1150	555.2	638.5	741.6	Compliant
		700	14.4	1100	578	650.4	773.6	
		800	15.6	1000	587.2	663.2	799.9	
		900	16.8	800	539.9	619.8	766.5	
		1000	18	700	536.7	632.7	796	
		1100	19.2	600	527.6	624.3	799	
1400	22.8	700	14.4	850	554.7	629.6	801.8	
		800	15.6	950	665.7	744.2	929.9	
		900	16.8	1100	786.5	868.9	1065	
		1000	18	1000	788	886.5	1099	
		1100	19.2	800	723.6	822.8	1047	
		1200	20.4	850	814	947	1064	
1500	24	1400	22.8	600	786	922.8	1213	
1600	25.2	1000	18	1650	1354	1484	1717	
		1100	19.2	1465	1310	1441	1689	
		1200	20.4	1000	1055	1205	1456	
		1400	22.8	910	1103	1273	1551	

DN/mm	e1/mm	dn/mm	e2/mm	L/mm	Weight (Kg)			Remark
					PN10	PN16	PN25	ISO2531
1800	27.6	1000	18	1760	1620	1770	2060	
		1200	20.4	1710	1747	1899	2199	
		1400	22.8	1340	1588	1760	2067	
		1500	24	1550	1886	2060	2416	
		1600	25.2	970	1436	1664	2135	
		1800	27.6	1030	1800	2079	2715	
2000	30	1000	18	2160	2177	2351	2746	
		1200	20.4	2140	2369	2545	2951	
		1400	22.8	1770	2218	2414	2826	
		1500	24	1585	2137	2335	2796	
		1600	25.2	1400	2070	2299	2324	
		1800	27.6	1030	1800	2079	2715	
2200	32.4	1000	18	2160	2475	2670	/	Compliant
		1200	20.4	2140	2673	2869	/	
		1400	22.8	1770	2488	2703	/	
		1600	25.2	1400	2301	2551	/	
		1800	27.6	1130	2124	2394	/	
		2000	30	1090	2250	2570	/	
2400	34.8	1000	18	2160	2760	3005	/	
		1200	20.4	2140	2964	3209	/	
		1400	22.8	1770	2741	3006	/	
		1600	25.2	1400	2514	2813	/	
		1800	27.6	1360	2651	2971	/	
		2000	30	1260	2703	3047	/	
2600	37.2	1000	18	2160	3082	3337	/	
		1200	20.4	2140	3291	3547	/	
		1400	22.8	1770	3028	3303	/	
		1600	25.2	1550	2985	3294	/	
		1800	27.6	1460	3058	3388	/	
		2000	30	1360	3114	3468	/	
2200	32.4	1260	3175	3550	/			
2400	34.8	1210	3311	3748	/			

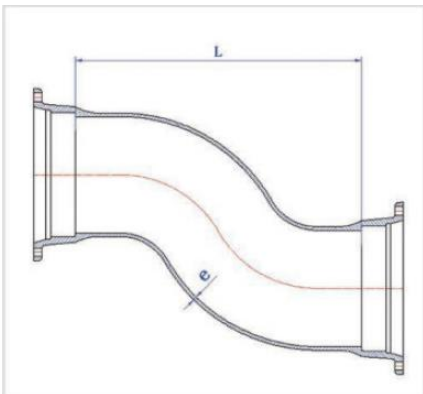
All the components can be substituted with equivalent or higher-class materials.

FITTINGS DI ref.1000B / PN 10-16-25

Double Socket Offset Pipe



T Type



K Type



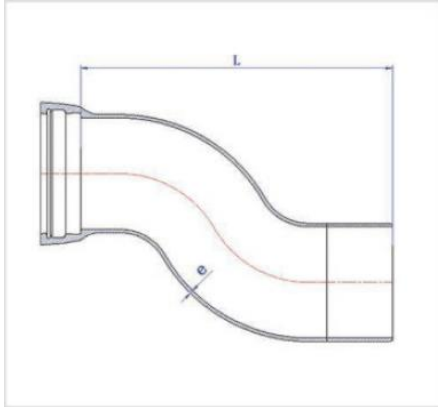
Table 19 dimensions and weight

DN/mm	e/mm	L/mm	Weight (Kg)		Remark
			T	K	GB/T13295
100	7.2	310	13.7	17.8	Compliant
150	7.8	310	21.4	26.4	
200	8.4	400	36.8	39.8	
250	9	530	59	60.4	
300	9.6	630	91.4	96	

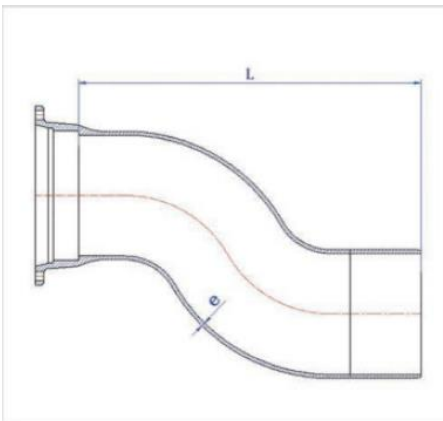
All the components can be substituted with equivalent or higher-class materials.

FITTINGS DI ref.1000B / PN 10-16-25

Socket Spigot Offset Pipe



T Type



K Type



Table 20 dimensions and weight

DN/mm	e/mm	L/mm	Weight (Kg)		Remark
			T	K	
100	7.2	470	12.9	14.9	Compliant GB/T13295
150	7.8	475	20.4	22.9	
200	8.4	600	35.7	37.2	
250	9	700	54.8	55.5	
300	9.6	800	81.8	84.1	

All the components can be substituted with equivalent or higher-class materials.

DAVINCI VALVES LTD, is constantly looking at all ways of improving our products and services related to the water, fire and industry sector and therefore we reserve the right to change, without prior notice, any of the data contained here. Please contact our Technical Sales Department for detailed advice. © 2018 DAVINCI VALVES LTD.
www.davincivalves.com info@davincivalves.com +34 616553797 / +86 17340168233
 18 Dongyu Street, Square One 11th Floor 1101. Jinjiang District, Chengdu, Sichuan Province, China

FITTINGS DI ref.1000B / PN 10-16-25

Integrated/Welded Flange Pipe

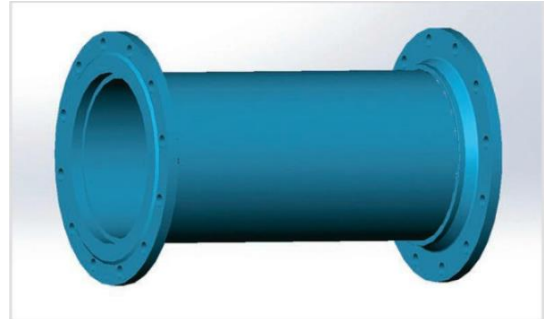
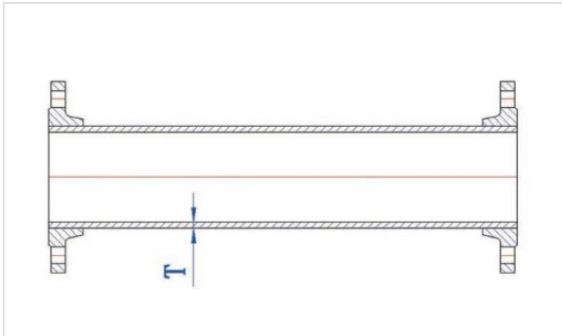


Table 21 dimensions and weight

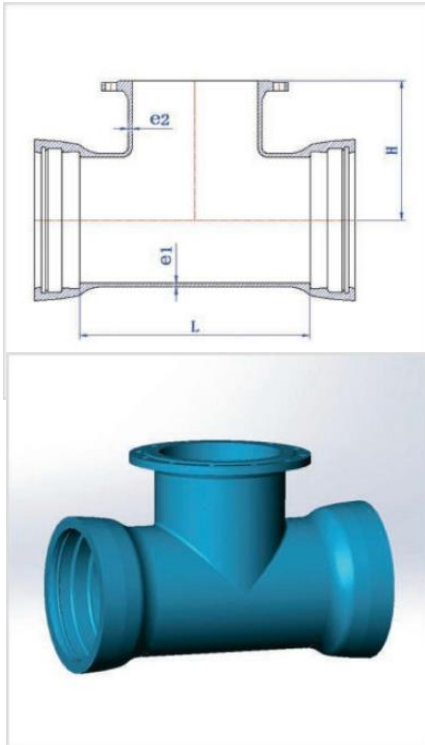
DN	Wall Thickness & Weight/m						Flange Weight						Socket Weight	
	k=14		k=12		k=9		Integral Flange			Screw-on / Weld-on Flange			Mass	Mass
	T	mass/m	T	mass/m	T	mass/m	PN10	PN16	PN25	PN10	PN16	PN25	T	K
80	8.1	16.1	7	14.1	6	12.2	2.9	2.9	2.9	3.3	3.3	3.3	3.2	5.9
100	8.4	20.4	7.2	17.7	6	14.9	3.3	3.3	3.3	4.1	4.1	4.6	4.3	5.9
125	8.8	26.4	7.5	22.7	6	18.3	4	4	4.6	4.9	4.9	5.6	5.7	
150	9.1	32.4	7.8	28	6	21.8	4.9	4.9	5.9	6.3	6.3	7.2	7.1	8.4
200	9.8	46.1	8.4	39.7	6.3	30.1	6.8	6.6	8.7	8.9	8.6	10.3	10.3	11
250	10.5	61.3	9	52.8	6.8	40.2	9.8	9.2	13.1	12.2	11.8	15.1	14.2	14.1
300	11.2	78.1	9.6	67.3	7.2	50.8	12.8	12.4	18	16.2	15.8	20.3	18.6	22.4
350	11.9	96.5	10.2	83.1	7.7	63.2	14.1	17.2	25.5	18.9	21.3	28.2	23.7	27.2
400	11.9	116.2	10.8	100	8.1	75.5	16.3	21.9	33.2	22.8	26.7	35.8	29.3	31.5
450	13.3	137.5	11.4	118.3	8.6	89.7	18.1	26.7	42.2	24	32.7	41.4	36.2	37.3
500	14	160.6	12	138.2	9	104.3	21.8	37	48.7	29.2	42.7	50.5	42.8	42.8
600	15.4	211.3	13.2	181.8	9.9	137.3	30.8	57.3	71.5	40.2	63.3	70.9	59.3	55.4
700	16.8	268.4	14.4	230.8	10.8	173.9	40.5	55.6	90.3	53.9	66.5	94.6	79.1	73.9
800	18.2	332.1	15.6	285.5	11.7	215.2	54.8	74	123	71.7	87.1	128.1	102.6	90.2
900	19.6	401.7	16.8	345.4	12.6	260.2	64.3	88.2	149	84.4	102.9	151.8	129.9	115.6
1000	21	477.7	18	410.6	13.5	309.3	81.4	123	201	111.1	144.8	202.7	161.3	146.6
1100	22.4	560.4	19.2	481.7	14.4	362.8	105	141	224	130.6	163.9	230.7	194.7	172.4
1200	23.8	649	20.4	557.7	15.3	420.1	121	185	285	159.7	210.4	278.5	237.7	201
1400	26.6	845.7	22.8	726.8	17.1	547.2	148	216	268	211.8	263.7	361.3	385.3	265.8
1500	28	953.2	24	819.1	18	616.7	201.4	289	401	242.8	325.6	422.3	452	298.8
1600	29.4	1067	25.2	916.9	18.9	690.3	206.4	308	486	288	369	473.9	531	375.4
1800	32.2	1314.2	27.6	1129.3	20.7	850.1	236.3	362	602	336.7	434.9	580.9	705	490.6
2000	35	1586.8	30	1363.4	22.5	1026.3	276.4	432	785	389.5	507.1	809.1	843	626.4
2200	37.8	1883.9	32.4	1618.6	24.3	1218.3	345.6	512	/	/	/	/	/	784.2
2400	40.6	2207	34.8	1896.2	26.1	1427.2	398.8	601	/	/	/	/	/	1108
2600	43.4	2555.5	37.2	2195.6	27.9	1652.4	436.9	672	/	/	/	/	/	1295

All the components can be substituted with equivalent or higher-class materials.

FITTINGS DI ref.1000B / PN 10-16-25

Double Socket Tee with Flanged Branch

T Type



K Type

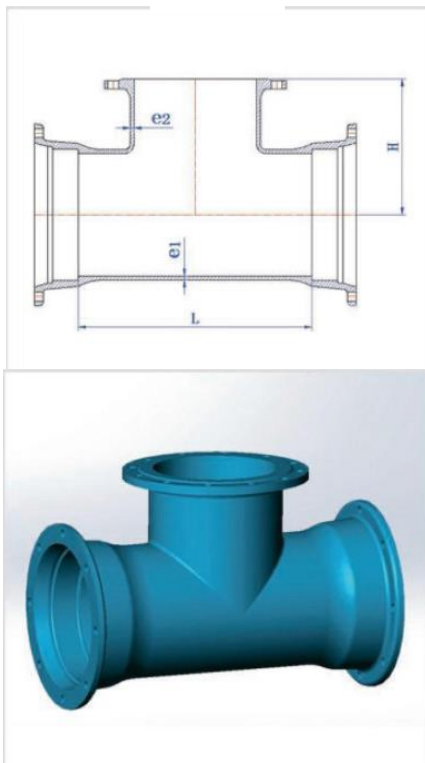


Table 22 dimensions and weight

DN/mm	Main Tee			Branch Tee			Weight (Kg)					
	e1/mm	L/mm	H/mm	dn/mm	e2/mm	H/mm	PN10		PN16		PN25	
							T	K	T	K	T	K
80	8.1	170	165	80	8.1	165	13.5	17.7	13.5	17.7	13.5	17.7
							15.8	20	15.8	20	15.8	20
100	8.4	170	175	80	8.1	175	17.2	22	17.2	22	17.7	22
		190	180	100	8.4	180	19.4	23	19.4	23	19.4	23
125	8.7	170	195	80	8.1	195	21	24.6	21	24.5	21.5	25.1
		225	200	125	8.7	200	23	26.8	23	26.8	24	27.4
150	9.1	170	205	80	8.1	205	23	28	23	28	23	28
		195	210	100	8.4	210	24.5	29.5	24.5	29.5	25	29.5
		230	215	125	8.7	215	27.1	32.1	27.5	32.1	27.7	32.7
200	9.8	255	220	150	9.1	220	29.5	34.5	29.5	34.5	30.5	34.5
		175	235	80	8.1	235	31.5	36	31.5	36	31.5	36
		200	240	100	8.4	240	33.5	38	33.5	38	34	38
250	10.5	235	240	125	8.7	240	36.2	39.2	36.2	39.2	36.8	39.8
		255	250	150	9.1	250	39	43.4	39	43.4	40	43.4
		315	260	200	9.8	260	45.6	50	46	50.4	47.5	52
300	11.2	180	265	80	8.1	265	42.2	43.6	42.2	43.6	42.2	43.6
		200	270	100	8.4	270	43.5	46	43.5	46	44	46.5
		230	275	125	8.7	275	47.7	49.1	47.7	49.1	48.3	49.7
350	11.9	260	280	150	9.1	280	51.3	52.7	51.3	52.7	52.2	53.6
		315	290	200	9.8	290	57	60	57	60	59	62
		375	300	250	10.5	300	67.4	68.8	67.1	68.5	70.7	72.1
400	12.6	180	295	80	8.1	295	60.8	65.4	60.8	65.4	60.8	65.4
		205	300	100	8.4	300	64.2	68.8	64.2	68.8	64.7	69.3
		230	300	125	8.7	300	67	71.6	67	71.6	67.6	72.2
450	13.5	260	310	150	9.1	310	71.2	75.8	71.2	75.8	72.1	76.7
		320	320	200	9.8	320	77.9	82.5	77.9	82.5	79.7	84.3
		380	320	250	10.5	330	87.8	92.4	87.4	92	91.1	95.7
500	14.4	435	340	300	11.2	340	98.7	103.3	98.4	103	103.6	108.2
		185	325	80	8.1	325	66	76	66	76	66	76
		205	330	100	8.4	330	68	78.4	68	78.4	68	78.9
550	15.3	230	330	125	8.7	330	70.2	82.6	70.2	82.6	70.8	83.2
		270	340	150	9.1	340	82.3	93	81.3	93	82.3	93
		325	350	200	9.8	350	86	96	86	96	88	98
600	16.2	385	360	250	10.5	360	93.2	105.6	92.9	105.3	96.5	108.9
		420	370	300	11.2	370	105	117.4	104.7	117.1	109.9	122.3
		495	380	350	11.9	380	117	128.3	120	131.1	129	139
650	17.1	185	355	80	8.1	355	80	90	80	90	80	90
		210	360	100	8.4	360	83	93	83	93	83	93
		230	360	125	8.7	360	86.2	95.3	86.2	95.3	86.7	95.9
700	18	270	370	150	9.1	370	89.3	101.9	89.3	101.9	90.3	102.9
		325	380	200	9.8	380	103	113	102	112	104	114
		385	390	250	10.5	390	111.3	123.9	111	123.6	114.6	127.2
750	18.9	440	400	300	11.2	400	123.5	136.1	123.2	135.8	128.4	141
		480	410	350	11.9	410	143	145.5	146	148.3	143.6	156.2
		560	420	400	12.6	420	150	161.7	156	168.2	167	177.4

Remark: Sizes comply with ISO2531, wall thicknesses comply with K14.

All the components can be substituted with equivalent or higher-class materials.

FITTINGS DI ref.1000B / PN 10-16-25

Double Socket Tee with Flanged Branch

Main Tee			Branch Tee			Weight (Kg)					
DN/mm	e1/mm	L/mm	dn/mm	e2/mm	H/mm	PN10		PN16		PN25	
						T	K	T	K	T	K
450	13.3	190	80	8.1	370	85.8	103.8	85.8	103.8	85.8	103.8
		215	100	8.4	390	90.5	108.5	90.5	108.5	91	109
		230	125	8.7	390	93.8	111.8	93.8	111.8	94.4	112.4
		270	150	9.1	400	101.3	119.3	101.3	119.3	102.2	120.2
		330	200	9.8	410	113.2	131.2	113.2	131.2	115	133
		390	250	10.5	420	126.4	144.4	126.1	144.1	129.7	147.7
		445	300	11.2	430	139.7	157.7	139.4	157.4	144.6	162.6
		480	350	11.9	430	148	166	150.8	168.8	158.7	176.7
		560	400	12.6	450	166.6	184.6	173.1	191.1	182.3	200.3
		620	450	13.3	460	181.5	199.5	190.8	208.8	201.2	219.2
		190	80	8.1	400	103.2	118.4	103.2	118.4	103.2	118.4
		215	100	8.4	420	116	123.7	116	123.7	117	124.2
240	125	8.7	420	118.8	129	118.8	129	119.4	129.6		
280	150	9.1	420	121.9	137.1	121.9	137.1	122.9	138.1		
330	200	9.8	440	142	149	141	149.1	143	150.9		
380	250	10.5	440	146.1	161.3	145.8	161	149.4	164.6		
440	300	11.2	440	160.5	175.7	160.2	175.4	165.4	180.6		
490	350	11.9	450	172.6	187.8	175.4	190.6	183.3	198.5		
565	400	12.6	480	199	208.2	205	214.7	216	223.9		
600	450	13.3	480	203.3	218.5	212.6	227.8	223	238.2		
680	500	14	500	232	242.9	247	257.3	259	267.7		
600	15.4	195	80	8.1	460	168	164	168	164	169	170
		200	100	8.4	460	171	167	171	167	171	168
		240	125	8.7	465	184	178	184	178	185	179
		260	150	9.1	470	187	182	187	182	188	183
		340	200	9.8	500	189	185	189	185	191	188
		380	250	10.5	500	219	215	218	215	222	218
		430	300	11.2	500	235	231	235	231	240	236
		490	350	11.9	510	252	247	255	251	263	260
		570	400	12.6	540	258	254	263	259	274	270
		610	450	13.3	540	285	281	293	289	309	305
		670	500	14	540	304	301	309	305	331	327
		800	600	15.4	580	340	336	366	363	380	376
700	16.8	210	80	8.1	490	208.8	189.8	208.8	189.8	208.8	189.8
		230	100	8.4	490	215	196	215	196	215.5	196.5
		250	125	8.7	495	221.5	202.5	221.5	202.5	222.1	203.1
		280	150	9.1	500	231.1	212.1	231.1	212.1	232.1	213.1
		345	200	9.8	525	252.4	233.4	252.4	233.4	254.2	235.2
		390	250	10.5	525	268	249	267.7	248.7	271.3	252.3
		440	300	11.2	525	285.3	266.3	285	266	290.2	271.2
		500	350	11.9	530	304.1	285.1	306.9	287.9	314.8	295.8
		575	400	12.6	555	330.7	311.7	337.2	318.2	346.4	327.4
		610	450	13.3	545	341.6	322.6	350.9	331.9	361.3	342.3
		680	500	14	550	367	348	381.4	362.4	391.8	372.8
		770	600	15.4	565	407.5	388.5	432.5	413.5	444.9	425.9
925	700	16.8	600	477.7	458.7	491.8	472.8	524.3	505.3		

Remark: Sizes comply with ISO2531, wall thicknesses comply with K14.

Main Tee			Branch Tee			Weight (Kg)					
DN/mm	e1/mm	L/mm	dn/mm	e2/mm	H/mm	PN10		PN16		PN25	
						T	K	T	K	T	K
800	18.2	240	80	8.1	550	278.9	252.5	278.9	252.5	278.9	252.5
		260	100	8.4	550	286.2	259.8	286.1	259.7	286.7	260.3
		290	125	8.7	555	297.2	270.8	297.2	270.8	297.8	271.4
		310	150	9.1	560	305.1	278.7	305.1	278.7	306	279.6
		350	200	9.8	585	321.5	295.1	321.5	295.1	323.3	296.9
		420	250	10.5	585	347.9	321.5	347.6	321.2	351.2	324.8
		480	300	11.2	585	371.2	344.8	370.9	344.5	376.1	349.7
		530	350	11.9	590	389.9	363.5	392.7	366.3	400.6	374.2
		580	400	12.6	615	412.2	385.8	418.7	392.3	427.9	401.5
		640	450	13.3	615	434.6	408.2	443.9	417.5	454.3	427.9
		690	500	14	615	456.4	430	470.8	444.4	481.2	454.8
		810	600	15.4	645	514.6	488.2	539.6	513.2	552	525.6
920	700	16.8	655	571.4	545	585.5	559.1	618	591.6		
1045	800	18.2	675	645.8	619.4	663.5	637.1	709.5	683.1		
900	19.6	240	80	8.1	605	354.6	316.6	354.6	316.6	354.6	316.6
		260	100	8.4	610	363.4	325.4	363.3	325.3	363.9	325.9
		290	125	8.7	615	376.4	338.4	376.4	338.4	377	339
		310	150	9.1	620	385.7	347.7	385.7	347.7	386.7	348.7
		355	200	9.8	645	406.9	368.9	407	369	408.8	370.8
		420	250	10.5	645	436.1	398.1	435.8	397.8	439.4	401.4
		480	300	11.2	650	463.9	425.9	463.6	425.6	468.8	430.8
		530	350	11.9	660	486.5	448.5	489.3	451.3	497.2	459.2
		590	400	12.6	675	515.1	477.1	521.6	483.6	530.8	492.8
		640	450	13.3	680	538.1	500.1	547.4	509.4	557.8	519.8
		690	500	14	690	564.7	526.7	579.1	541.1	589.5	551.5
		820	600	15.4	705	631.8	593.8	656.8	618.8	669.2	631.2
920	700	16.8	720	691.9	653.9	706	668	738.5	700.5		
1040	800	18.2	735	768.8	730.8	786.5	748.5	832.5	794.5		
1170	900	19.6	750	851.6	813.6	873.2	835.2	929.2	891.2		
1000	21	240	80	8.1	670	435	393	435	393	435	393
		260	100	8.4	670	445.2	403.2	445.2	403.2	445.7	403.7
		290	125	8.7	675	470.5	428.5	470.5	428.5	471.1	429.1
		310	150	9.1	680	476.7	434.7	476.7	434.7	477.7	435.7
		360	200	9.8	705	498.3	456.3	498.4	456.4	500.2	458.2
		420	250	10.5	705	530	488	529.7	487.7	533.3	491.3
		480	300	11.2	710	562.2	520.2	561.9	519.9	567.1	525.1
		530	350	11.9	720	588.4	546.4	591.2	549.2	599.1	557.1
		595	400	12.6	735	623.8	581.8	630.3	588.3	639.5	597.5
		640	450	13.3	740	647.9	605.9	657.2	615.2	667.6	625.6
		690	500	14	750	678	636	692.4	650.4	702.8	660.8
		825	600	15.4	765	756.5	714.5	781.5	739.5	793.9	751.9
930	700	16.8	780	825.3	783.3	839.4	797.4	871.9	829.9		
1040	800	18.2	795	904.5	862.5	922.2	880.2	968.2	926.2		
1160	900	19.6	810	989.1	947.1	1011	968.7	1067	1025		
1290	1000	21	825	1094	1052	1132	1090	1205	1163		

Remark: Sizes comply with ISO2531, wall thicknesses comply with K14.

All the components can be substituted with equivalent or higher-class materials.

FITTINGS DI ref.1000B / PN 10-16-25

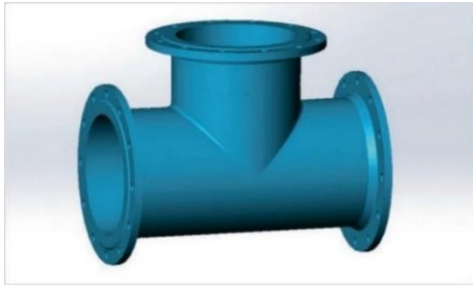
Double Socket Tee with Flanged Branch

Main Tee		Branch Tee				Weight (Kg)					
DN/mm	e1/mm	L/mm	dn/mm	e2/mm	H/mm	PN10		PN16		PN25	
						T	K	T	K	T	K
1100	22.4	240	80	8.1	730	531.7	458.9	531.7	458.9	531.7	458.9
		260	100	8.4	730	543.6	470.8	543.6	470.8	544.1	471.3
		290	125	8.7	735	561.4	488.6	561.4	488.6	562	489.2
		310	150	9.1	740	573.9	501.1	573.9	501.1	574.8	502
		360	200	9.8	745	604	531.2	604.1	531.3	605.9	533.1
		420	250	10.5	755	640.9	568.1	640.6	567.8	644.2	571.4
		480	300	11.2	760	677.8	605	677.5	604.7	682.7	609.9
		530	350	11.9	770	707.8	635	710.6	637.8	718.5	645.7
		600	400	12.6	795	744.2	671.4	750.7	677.9	759.9	687.1
		650	450	13.3	795	780.4	707.6	789.7	716.9	800.1	727.3
		700	500	14	795	813.2	740.4	827.6	754.8	838	765.2
		830	600	15.4	825	892.6	819.8	917.6	844.8	930	857.2
		940	700	16.8	830	976.2	903.4	990.3	917.5	1023	950
		1050	800	18.2	835	1062	988.8	1080	1007	1126	1053
		1170	900	19.6	850	1153	1080	1174	1102	1230	1158
1280	1000	21	870	1254	1181	1292	1219	1365	1292		
1390	1100	22.4	880	1359	1287	1398	1325	1482	1409		
1200	23.8	240	80	8.1	790	646.3	534.3	646.3	534.3	646.3	534.3
		260	100	8.4	790	659.9	547.9	659.9	547.9	660.4	548.4
		290	125	8.7	795	680.4	568.4	680.4	568.4	681	569
		310	150	9.1	800	694.6	582.6	694.6	582.6	695.6	583.6
		360	200	9.8	805	729.2	617.2	729.2	617.2	731	619
		420	250	10.5	815	771.3	659.3	771	659	774.6	662.6
		480	300	11.2	820	813.4	701.4	813.1	701.1	818.3	706.3
		530	350	11.9	830	847.7	735.7	850.5	738.5	858.4	746.4
		590	400	12.6	835	889.2	777.2	895.7	783.7	904.9	792.9
		650	450	13.3	845	930.5	818.5	939.8	827.8	950.2	838.2
		710	500	14	850	974	862	988.4	876.4	998.8	886.8
		840	600	15.4	885	1074	962	1099	987	1112	999.4
		940	700	16.8	885	1152	1040	1166	1054	1198	1086
		1070	800	18.2	915	1264	1152	1281	1169	1327	1215
		1190	900	19.6	920	1361	1249	1382	1270	1438	1326
1300	1000	21	945	1472	1360	1510	1398	1583	1471		
1520	1200	23.8	955	1703	1591	1761	1649	1852	1740		
1400	26.6	340	80	8.1	870	1067	774.5	1067	774.5	1067	774.5
		420	100	8.4	875	1135	842.8	1135	842.8	1136	843.3
		450	125	8.7	880	1162	869	1162	869	1162	869.6
		480	150	9.1	880	1188	895.2	1188	895.2	1189	896.2
		540	200	9.8	890	1240	947.7	1240	947.7	1242	949.5
		560	250	10.5	895	1259	966.8	1259	966.5	1263	970.1
		650	300	11.2	905	1338	1046	1338	1046	1343	1051
		710	350	11.9	910	1389	1097	1392	1100	1400	1108
		770	400	12.6	920	1442	1150	1449	1156	1458	1166
		830	450	13.3	925	1493	1201	1503	1211	1513	1221
		880	500	14	935	1540	1247	1554	1262	1564	1272
		1030	600	15.4	980	1681	1389	1706	1414	1718	1426
		1120	700	16.8	990	1769	1477	1783	1491	1816	1523
		1260	800	18.2	1010	1908	1616	1926	1634	1972	1680
		1350	900	19.6	1020	2001	1708	2022	1730	2078	1786
1495	1000	21	1040	2155	1863	2193	1901	2266	1973		
1580	1100	22.4	1045	2257	1965	2295	2003	2379	2087		
1700	1200	23.8	1050	2398	2106	2457	2164	2547	2255		
1930	1400	26.6	1070	2686	2394	2747	2455	2887	2595		

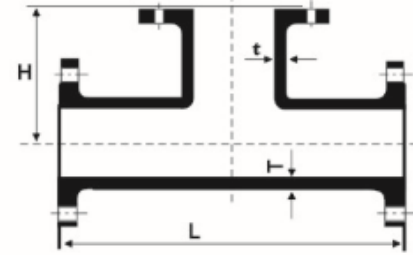
Remark: Sizes comply with ISO2531, wall thicknesses comply with K14.

All the components can be substituted with equivalent or higher-class materials.

FITTINGS DI ref.1000B / PN 10-16-25



A All Flange Tee



DN × dn mm	T mm	L mm	t mm	H mm	Mass(kgs)		
					PN10	PN16	PN25
40×40	7.6	280	7.6	140	8.2	8.2	
50×50	7.7	300	7.7	150	10.4	10.4	
60×60	7.8	320	7.8	160	11.8	11.8	
65×50	7.9	330	7.7	165	13.0	13.0	
65×65	7.9	330	7.9	165	13.3	13.3	
80×40	8.1	330	7.6	165	14	14	
80×50	8.1	330	7.7	160	14.3	14.3	
80×60	8.1	330	7.8	160	15	15	
80×65	8.1	330	7.9	160	17	17	
80×80	7.0	330	7.0	165	15.6	15.6	15.6
100×50	8.4	360	7.7	170	18.6	18.6	
100×60	8.4	360	7.8	165	18	18	
100×80	7.2	360	7.0	175	18.4	18.4	19.5
100×100	7.2	360	7.2	180	19.4	19.4	21
125×50	8.8	400	7.7	180	23	23	
125×80	8.8	400	8.1	190	23	23	24.5
125×100	8.8	400	8.4	195	24	24	26
125×125	8.8	400	8.8	200	25.5	25.5	27.5
150×50	9.1	440	7.7	200	27	27	
150×60	9.1	440	7.8	205	28	28	
150×80	7.8	440	7.0	205	28.5	28.5	31
150×100	7.8	440	7.2	210	29.5	29.5	32
150×150	7.8	400	7.8	220	32.5	32.5	36
200×80	8.4	520	7.0	235	42	41.5	46
200×100	8.4	520	7.2	240	43	42	47.5
200×150	8.4	520	7.8	250	46	45.5	51
200×200	8.4	520	8.4	260	49.5	49	56
250×80	9.0	700	7	270	49.7	49.3	56.7
250×100	9.0	700	7.2	275	68	67	75
250×150	9.0	700	7.8	300	72	71	81
250×200	9.0	700	8.4	325	76	75	85
250×250	9.0	700	9.0	350	82	81	93
300×80	11.2	800	8.1	290		91	
300×100	9.6	800	7.2	300	94	93	105
300×150	9.6	800	7.8	325	98	97	109
300×200	9.6	800	8.4	350	102	101	114
300×250	9.6	800	9.0	375	109	108	121
300×300	9.6	800	9.6	400	116	115	131
350×80	11.9	850	8.1	325		118	
350×100	10.2	850	7.2	325	116	122	139
350×150	10.2	850	7.8	325	120	126	143
350×200	10.2	850	8.4	325	121	128	146
350×250	10.2	850	9.0	325	128	134	154
350×300	10.2	850	9.6	425	140	145	166
350×350	10.2	850	10.2	425	142	151	176
400×80	12.6	900	8.1	350		150	
400×100	10.8	900	7.2	350	143	154	177
400×150	10.8	900	7.8	350	149	158	181
400×200	10.8	900	8.4	350	148	159	184
400×250	10.8	900	9.0	350	151	161	198
400×300	10.8	900	9.6	400	168	177	204
400×350	10.8	900	10.2	450	170	183	215
400×400	10.8	900	10.8	450	174	191	225
450×80	13.3	950	8.1	375		187	
450×100	11.4	950	7.2	395	177	193	215
450×150	11.4	950	7.8	375	180	196	219
450×200	11.4	950	8.4	375	183	199	220
450×250	11.4	950	9.0	375	194	210	237
450×300	11.4	950	9.6	475	199	215	242
450×350	11.4	950	10.2	475	207	227	260
450×400	11.4	950	10.8	475	210	230	263
450×450	11.4	950	11.4	475	216	240	272

DN × dn mm	T mm	L mm	t mm	H mm	Mass(kgs)		
					PN10	PN16	PN25
500×80	14	1000	8.1	400		235	
500×100	12.0	1000	7.2	400	210	241	265
500×150	12.0	1000	7.8	400	214	243	269
500×200	12.0	1000	8.4	400	215	245	271
500×250	12.0	1000	9.0	400	218	258	280
500×300	12.0	1000	9.6	500	227	264	287
500×350	12.0	1000	10.2	500	239	268	298
500×400	12.0	1000	10.8	500	242	276	311
500×450	12.0	1000	11.4	500	249	298	327
500×500	12.0	1000	12.0	500	252	297	332
600×100	13.2	1100	7.2	450	268	340	352
600×150	13.2	1100	7.8	450	283	356	370
600×200	13.2	1100	8.4	450	305	358	388
600×250	13.2	1100	9.0	450	307	360	392
600×300	13.2	1100	9.6	550	328	375	404
600×350	13.2	1100	10.2	550	326	380	413
600×400	13.2	1100	10.8	550	329	387	427
600×450	13.2	1100	11.4	550	338	417	448
600×500	13.2	1100	12.0	550	349	420	464
600×600	13.2	1100	13.2	550	355	434	447
700×100	14.4	540	7.2	510	253	295	
700×150	14.4	595	7.8	115	255	296	
700×200	14.4	650	8.4	525	258	298	
700×300	14.4	760	9.6	540	319	342	
700×400	14.4	870	10.8	555	343	379	
700×500	14.4	980	12.0	670	442	481	
700×600	14.4	1200	13.2	685	476	523	
700×700	14.4	1200	14.4	600	477	523	

All the components can be substituted with equivalent or higher-class materials.

DAVINCI VALVES LTD, is constantly looking at all ways of improving our products and services related to the water, fire and industry without prior notice, any of the data contained here. Please contact our Technical Sales Department for detailed advice. © 2018
www.davinivalves.com info@davinivalves.com +34 616553797 / +86 17340168233
 18 Dongyu Street, Square One 11th Floor 1101, Jinjiang District, Chengdu, Sichuan Province, China



FITTINGS DI ref.1000B / PN 10-16-25

A II Flange Tee

Main Tee			Branch Tee			Weight (Kg)		
DN/mm	e1/mm	L/mm	dn/mm	e2/mm	H/mm	PN10	PN16	PN25
1500	28	1575	600	15.4	1035	1886	2063	2375
		2040	1000	21	1095	2410	2600	2972
1600	29.4	1140	200	9.8	1030	1636	1820	2143
		1200	250	10.5	1040	1703	1887	2211
		1250	300	11.2	1045	1758	1943	2268
		1370	400	12.6	1060	1889	2080	2410
		1490	500	14	1075	2022	2221	2551
		1600	600	15.4	1090	2167	2398	2731
		1835	800	18.2	1120	2452	2675	3041
		2065	1000	21	1150	2740	2986	3378
		2300	1200	23.8	1180	3058	3327	3738
		2530	1400	26.6	1210	3366	3611	4071
2760	1600	29.4	1240	3770	4047	4528		
1800	32.2	1190	200	9.8	1140	2043	2269	2705
		1250	250	10.5	1150	2126	2352	2789
		1310	300	11.2	1155	2208	2434	2872
		1420	400	12.6	1170	2357	2590	3033
		1540	500	14	1185	2513	2753	3197
		1655	600	15.4	1200	2694	2972	3418
		1885	800	18.2	1230	3023	3299	3779
		2120	1000	21	1260	3375	3669	4176
		2350	1200	23.8	1290	3740	4056	4580
		2580	1400	26.6	1320	4077	4364	4937
2810	1600	29.4	1350	4515	4833	5427		
3050	1800	32.2	1380	4986	5325	5976		
2000	35	1240	200	9.8	1250	2532	2807	3452
		1300	250	10.5	1260	2632	2905	3553
		1360	300	11.2	1265	2729	3003	3652
		1470	400	12.6	1280	2909	3189	3843
		1590	500	14	1295	3095	3383	4037
		1705	600	15.4	1310	3300	3642	4298
		1940	800	18.2	1340	3674	3965	4655
		2170	1000	21	1370	4112	4459	5175
		2400	1200	23.8	1400	4484	4816	5551
		2635	1400	26.6	1430	4966	5340	6123
2870	1600	29.4	1460	5408	5775	6579		
3100	1800	32.2	1490	5902	6289	7150		
3330	2000	35	1520	6462	6873	7839		
2200	37.8	1120	200	9.8	1360	2806	3120	/
		1175	250	10.5	1370	2913	3228	/
		1230	300	11.2	1375	3019	3334	/
		1340	400	12.6	1390	3231	3552	/
		1450	500	14	1405	3431	3760	/
		1560	600	15.4	1420	3675	4034	/
		1780	800	18.2	1450	4071	4403	/
		2000	1000	21	1480	4506	4859	/
		2220	1200	23.8	1510	5026	5413	/
		2440	1400	26.6	1540	5430	5805	/
		2660	1600	29.4	1570	5949	6356	/
		2880	1800	32.2	1600	6474	6934	/
		3100	2000	35	1630	7051	7502	/
		3320	2200	37.8	1660	7714	8186	/

Remark: Sizes comply with ISO2531, wall thicknesses comply with K14.

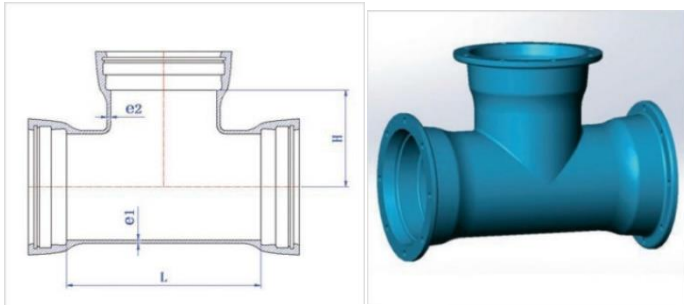
Main Tee			Branch Tee			Weight (Kg)		
DN/mm	e1/mm	L/mm	dn/mm	e2/mm	H/mm	PN10	PN16	PN25
2400	40.6	1180	200	9.8	1470	3372	3787	/
		1235	250	10.5	1480	3498	3912	/
		1290	300	11.2	1485	3621	4035	/
		1400	400	12.6	1500	3868	4289	/
		1510	500	14	1515	4102	4530	/
		1620	600	15.4	1530	4418	4849	/
		1840	800	18.2	1560	4843	5274	/
		2060	1000	21	1590	5344	5796	/
		2280	1200	23.8	1620	5963	6432	/
		2500	1400	26.6	1650	6391	6866	/
		2720	1600	29.4	1680	6968	7474	/
		2940	1800	32.2	1710	7614	8145	/
		3460	2000	35	1740	8171	8722	/
		3380	2200	37.8	1770	8871	9442	/
3600	2400	40.6	1800	9605	10226	/		
2600	43.4	1240	200	9.8	1580	4052	4486	/
		1295	250	10.5	1590	4196	4630	/
		1350	300	11.2	1595	4339	4773	/
		1460	400	12.6	1610	4624	5064	/
		1570	500	14	1625	4894	5342	/
		1680	600	15.4	1640	5214	5711	/
		1900	800	18.2	1670	5744	6195	/
		2120	1000	21	1700	6316	6788	/
		2340	1200	23.8	1730	6906	7399	/
		2560	1400	26.6	1760	7585	8128	/
		2780	1600	29.4	1790	8141	8668	/
		3000	1800	32.2	1820	8779	9326	/
		3220	2000	35	1850	9505	10128	/
		3440	2200	37.8	1880	10212	10803	/
3660	2400	40.6	1910	10988	11629	/		
3880	2600	43.4	1940	11860	12512	/		

Remark: Sizes comply with ISO2531, wall thicknesses comply with K14.

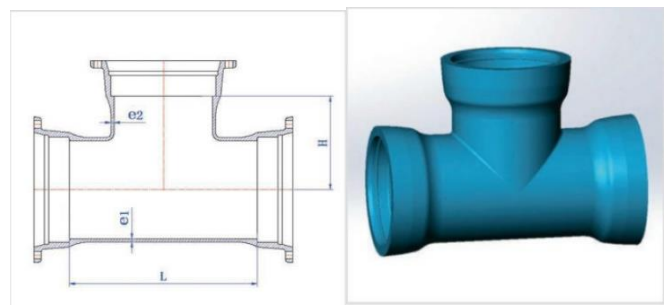
All the main components can be substituted with equivalent or higher-class materials.

FITTINGS DI ref.1000B / PN 10-16-25

A II Socket Tee



K Type



T Type

Table 24 dimensions and weight

Main Tee			Branch Tee			Weight (Kg)	
DN/mm	e1/mm	L/mm	dn/mm	e2/mm	H/mm	T	K
80	8.1	170	80	8.1	85	12.4	17.7
		170	80	8.1	95	14.8	21.5
100	8.4	190	100	8.4	95	16.1	23.2
		170	80	8.1	105	17.6	22.8
125	8.7	195	100	8.4	110	19	24.8
		225	125	8.7	110	22	26.9
		170	80	8.1	120	21.5	29.2
150	9.1	195	100	8.4	120	23.5	31.0
		230	125	8.7	125	25.8	33.3
		255	150	9.1	125	28	35.6
		175	80	8.1	145	30	37.9
200	9.8	200	100	8.4	145	32	38.8
		230	125	8.7	145	34.5	41.4
		255	150	9.1	150	37.0	44.0
		315	200	9.8	155	48.0	49.6
		180	80	8.1	170	40.2	43.0
250	10.5	200	100	8.4	170	42.8	47.9
		230	125	8.7	175	46.0	49.1
		260	150	9.1	175	51.1	56.4
		315	200	9.8	180	55.9	60.9
		375	250	10.5	190	64.1	67.4
		190	80	8.1	195	59.4	65.4
300	11.2	205	100	8.4	195	61.1	67.7
		240	125	8.7	200	65.2	71.7
		260	150	9.1	200	67.2	77.6
		320	200	9.8	205	75.5	82.9
		375	250	10.5	210	84.1	92.1
		435	300	11.2	220	97.6	104.5
		180	80	8.1	220	63.6	74.5
350	11.9	200	100	8.4	220	67.2	80.0
		240	125	8.7	225	71.7	83.6
		250	150	9.1	225	79.6	92.6
		300	200	9.8	230	84.9	97.5
		380	250	10.5	235	96.9	109.0
		420	300	11.2	240	106.0	122.0
400	12.6	495	350	11.9	250	116.0	131.0
		190	80	8.1	240	76.1	87.1
		210	100	8.4	245	82.2	95.0
		240	125	8.7	250	89.5	102.5
		270	150	9.1	250	96.7	110.0
		330	200	9.8	255	102.0	115.0
		380	250	10.5	260	116.0	128.0
		440	300	11.2	270	126.0	142.0
		500	350	11.9	270	137.0	152.0
		560	400	12.6	280	150.0	166.0

Remark: Sizes comply with ISO2531, wall thicknesses comply with K14.

Main Tee			Branch Tee			Weight (Kg)	
DN/mm	e1/mm	L/mm	dn/mm	e2/mm	H/mm	T	K
450	13.3	190	80	8.1	270	101.0	102.5
		210	100	8.4	270	106.0	116.0
		240	125	8.7	270	111.0	121.0
		270	150	9.1	280	116.0	126.0
		330	200	9.8	280	127.0	137.0
		390	250	10.5	290	138.0	147.0
		445	300	11.2	290	149.0	163.0
		500	350	11.9	300	161.0	175.0
		560	400	12.6	300	173.0	186.0
		620	450	13.3	310	186.0	198.0
500	14	190	80	8.1	290	110.0	116.8
		220	100	8.4	295	115.0	123.0
		245	125	8.7	300	126.0	134.0
		270	150	9.1	300	137.0	145.0
		330	200	9.8	310	141.0	149.0
		390	250	10.5	310	161.0	168.0
		450	300	11.2	320	174.0	185.0
		510	350	11.9	320	187.0	198.0
		560	400	12.6	330	199.0	210.0
		620	450	13.3	335	214.0	224.0
600	15.4	680	500	14.0	340	234.0	242.0
		200	80	8.1	340	165.0	165.0
		220	100	8.4	345	169.0	168.0
		250	125	8.7	350	177.0	176.0
		280	150	9.1	350	185.0	184.0
		340	200	9.8	360	188.0	187.0
		400	250	10.5	360	215.0	213.0
		450	300	11.2	370	231.0	233.0
		510	350	11.9	370	246.0	248.0
		570	400	12.6	380	258.0	260.0
700	16.8	630	450	13.3	385	280.0	281.0
		690	500	14.0	390	296.0	296.0
		800	600	15.4	400	343.0	338.0
		205	80	8.1	390	217.0	207.0
		230	100	8.4	400	224.0	215.0
		260	125	8.7	400	232.5	223.5
		290	150	9.1	400	241.0	232.0
		340	200	9.8	410	259.0	250.0
		400	250	10.5	410	277.0	267.0
		460	300	11.2	420	297.0	290.0
700	16.8	520	350	11.9	420	317.0	310.0
		580	400	12.6	430	337.0	329.0
		630	450	13.3	435	361.0	350.0
		700	500	14.0	440	380.0	370.0
		810	600	15.4	450	430.0	416.0
		920	700	16.8	460	486.0	470.0

Remark: Sizes comply with ISO2531, wall thicknesses comply with K14.

All the components can be substituted with equivalent or higher-class materials.

FITTINGS DI ref.1000B / PN 10-16-25

A II Socket Tee

DN/mm	Main Tee			Branch Tee			Weight (Kg)	
	e1/mm	L/mm	dn/mm	e2/mm	H/mm	T	K	
800	18.2		210	80	8.1	440	278.0	254.0
			230	100	8.4	445	287.0	264.0
			260	125	8.7	450	297.0	274.0
			290	150	9.1	450	307.0	284.0
			350	200	9.8	460	330.0	305.0
			410	250	10.5	460	352.0	328.0
			470	300	11.2	470	374.0	353.0
			520	350	11.9	470	398.0	376.0
			580	400	12.6	480	420.0	398.0
			640	450	13.3	485	448.0	422.0
			700	500	14.0	490	472.0	447.0
			810	600	15.4	500	526.0	497.0
			930	700	16.8	510	586.0	556.0
			1045	800	18.2	520	655.0	618.0
		900	19.6		220	80	8.1	490
	240			100	8.4	500	360.0	333.0
	270			125	8.7	500	373.0	346.0
	300			150	9.1	500	386.0	359.0
	360			200	9.8	510	410.0	382.0
	410			250	10.5	510	437.0	408.0
	470			300	11.2	520	462.0	438.0
	530			350	11.9	520	490.0	464.0
	590			400	12.6	530	518.0	491.0
	650			450	13.3	535	547.0	518.0
	700			500	14.0	540	574.0	546.0
	820			600	15.4	550	635.0	602.0
	940			700	16.8	560	700.0	667.0
	1050			800	18.2	570	774.0	733.0
	1170			900	19.6	580	858.0	815.0
1000	21		220	80	8.1	540	433.0	434.0
			250	100	8.4	550	443.0	445.0
			275	125	8.7	550	459.0	460.0
			300	150	9.1	550	474.0	475.0
			360	200	9.8	560	502.0	503.0
			420	250	10.5	560	533.0	533.0
			480	300	11.2	570	564.0	568.0
			540	350	11.9	570	594.0	597.0
			590	400	12.6	580	626.0	628.0
			650	450	13.3	585	659.0	658.0
			710	500	14.0	590	690.0	690.0
			830	600	15.4	600	758.0	754.0
			940	700	16.8	610	831.0	825.0
			1060	800	18.2	620	913.0	901.0
			1170	900	19.6	630	1000.0	985.0
	1290	1000	21.0	645	1096.0	1096.0		

Remark: Sizes comply with ISO2531, wall thicknesses comply with K14.

DN/mm	Main Tee			Branch Tee			Weight (Kg)	
	e1/mm	L/mm	dn/mm	e2/mm	H/mm	T	K	
1100	22.4		230	80	8.1	590	524.1	452.7
			250	100	8.4	600	535.8	465.0
			280	125	8.7	600	553.3	482.4
			310	150	9.1	600	570.1	499.8
			370	200	9.8	610	605.9	534.6
			430	250	10.5	610	641.4	569.3
			480	300	11.2	620	675.3	604.8
			540	350	11.9	620	706.7	638.9
			600	400	12.6	630	741.0	674.5
			660	450	13.3	635	775.1	711.3
			720	500	14.0	640	812.5	747.3
			830	600	15.4	650	881.9	815.4
			950	700	16.8	660	972.2	894.9
			1060	800	18.2	670	1057	970.1
			1180	900	19.6	680	1154	1062
1200	23.8		1300	1000	21.0	695	1260	1166
			1410	1100	22.4	710	1375	1265
			235	80	8.1	640	640.9	530.3
			260	100	8.4	650	657.5	547.5
			290	125	8.7	650	677.6	567.5
			320	150	9.1	650	697.1	587.6
			370	200	9.8	660	731.4	620.9
			430	250	10.5	660	772.0	660.7
			490	300	11.2	670	816.6	706.9
			550	350	11.9	670	853.0	746.0
			610	400	12.6	680	892.3	786.6
			660	450	13.3	685	929.0	821.7
			720	500	14.0	690	966.9	862.5
			840	600	15.4	700	1054	945.6
			950	700	16.8	710	1145	1028
1400	26.6		1070	800	18.2	720	1243	1118
			1190	900	19.6	730	1348	1217
			1300	1000	21.0	745	1455	1322
			1530	1200	23.8	770	1713	1545
			250	80	8.1	740	988.8	698.0
			270	100	8.4	750	1006	715.9
			300	125	8.7	750	1032	741.7
			330	150	9.1	750	1058	767.5
			390	200	9.8	760	1110	818.8
			440	250	10.5	760	1153	861.5
			500	300	11.2	770	1209	918.9
			560	350	11.9	770	1257	969.1
			620	400	12.6	780	1307	1021
			680	450	13.3	785	1357	1074
			730	500	14.0	790	1402	1117
	850	600	15.4	800	1507	1221		
	970	700	16.8	810	1627	1330		
	1080	800	18.2	820	1737	1431		
	1200	900	19.6	830	1861	1550		
	1310	1000	21.0	845	1984	1670		
	1430	1100	22.4	860	2126	1797		
	1550	1200	23.8	870	2279	1930		
	1780	1400	26.6	890	2648	2210		

Remark: Sizes comply with ISO2531, wall thicknesses comply with K14.

All the components can be substituted with equivalent or higher-class materials.

FITTINGS DI ref.1000B / PN 10-16-25

A II Socket Tee

DN/mm	Main Tee			Branch Tee			Weight (Kg)	
	e1/mm	L/mm	dn/mm	e2/mm	H/mm	τ	κ	
1600	29.4	400	200	9.8	860	1551	1122	
		460	250	10.5	860	1616	1186	
		510	300	11.2	870	1674	1246	
		630	400	12.6	880	1797	1373	
		770	500	14.0	890	1946	1523	
		860	600	15.4	900	2044	1620	
		1090	800	18.2	920	2318	1875	
		1330	1000	21.0	945	2618	2167	
		1560	1200	23.8	970	2942	2456	
		1790	1400	26.6	990	3341	2765	
		2020	1600	29.4	1010	3800	3155	
1800	32.2	410	200	9.8	960	1897	1449	
		470	250	10.5	960	1980	1531	
		530	300	11.2	970	2063	1616	
		640	400	12.6	980	2208	1765	
		760	500	14.0	990	2353	1911	
		870	600	15.4	1000	2526	2083	
		1110	800	18.2	1020	2835	2373	
		1340	1000	21.0	1045	3173	2703	
		1570	1200	23.8	1070	3543	3037	
		1800	1400	26.6	1090	3983	3387	
		2030	1600	29.4	1110	4473	3809	
2270	1800	32.2	1130	4958	4285			
2000	35	420	200	9.8	1060	/	1924	
		480	250	10.5	1060	/	2020	
		540	300	11.2	1070	/	2117	
		650	400	12.6	1080	/	2205	
		770	500	14.0	1090	/	2479	
		890	600	15.4	1100	/	2660	
		1120	800	18.2	1120	/	3035	
		1350	1000	21.0	1145	/	3437	
		1580	1200	23.8	1170	/	3846	
		1810	1400	26.6	1190	/	4244	
		2050	1600	29.4	1210	/	4695	
2280	1800	32.2	1230	/	5218			
2510	2000	35.0	1255	/	5787			
2200	37.8	430	200	9.8	1160	/	2252	
		490	250	10.5	1160	/	2369	
		550	300	11.2	1170	/	2487	
		670	400	12.6	1180	/	2717	
		780	500	14.0	1190	/	2906	
		900	600	15.4	1200	/	3126	
		1130	800	18.2	1220	/	3552	
		1360	1000	21.0	1245	/	3998	
		1590	1200	23.8	1270	/	4453	
		1830	1400	26.6	1290	/	4916	
		2060	1600	29.4	1310	/	5433	
2290	1800	32.2	1330	/	5974			
2520	2000	35.0	1355	/	6573			
2750	2200	37.8	1380	/	7230			

Remark: Sizes comply with ISO2531, wall thicknesses comply with K14.

DN/mm	Main Tee			Branch Tee			Weight (Kg)	
	e1/mm	L/mm	dn/mm	e2/mm	H/mm	τ	κ	
2400	40.6	450	200	9.8	1260	/	2959	
		500	250	10.5	1260	/	3073	
		560	300	11.2	1270	/	3210	
		680	400	12.6	1280	/	3478	
		790	500	14.0	1290	/	3700	
		910	600	15.4	1300	/	3957	
		1140	800	18.2	1320	/	4452	
		1370	1000	21.0	1345	/	4965	
		1610	1200	23.8	1370	/	5497	
		1840	1400	26.6	1390	/	6013	
		2070	1600	29.4	1410	/	6589	
2600	43.4	2300	1800	32.2	1430	/	7185	
		2530	2000	35.0	1455	/	7832	
		2770	2200	37.8	1480	/	8558	
		3000	2400	40.6	1500	/	9428	
		460	200	9.8	1360	/	3551	
		520	250	10.5	1360	/	3708	
		570	300	11.2	1370	/	3840	
		690	400	12.6	1380	/	4149	
		810	500	14.0	1390	/	4432	
		920	600	15.4	1400	/	4704	
		1150	800	18.2	1420	/	5273	
1390	1000	21.0	1445	/	5885			
1620	1200	23.8	1470	/	6466			
1850	1400	26.6	1490	/	7051			
2080	1600	29.4	1510	/	7692			
2310	1800	32.2	1530	/	8351			
2545	2000	35.0	1555	/	9081			
2780	2200	37.8	1580	/	9835			
3010	2400	40.6	1600	/	10743			
3240	2600	43.4	1620	/	11545			

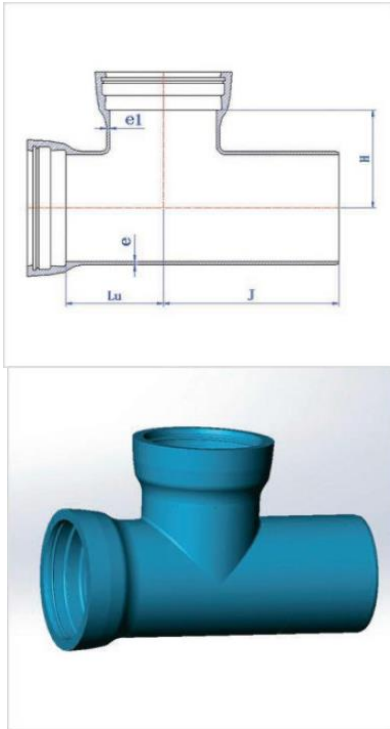
Remark: Sizes comply with ISO2531, wall thicknesses comply with K14.

All the components can be substituted with equivalent or higher-class materials.

FITTINGS DI ref.1000B / PN 10-16-25

Socket Spigot Tee with Socket Branch

T Type



K Type

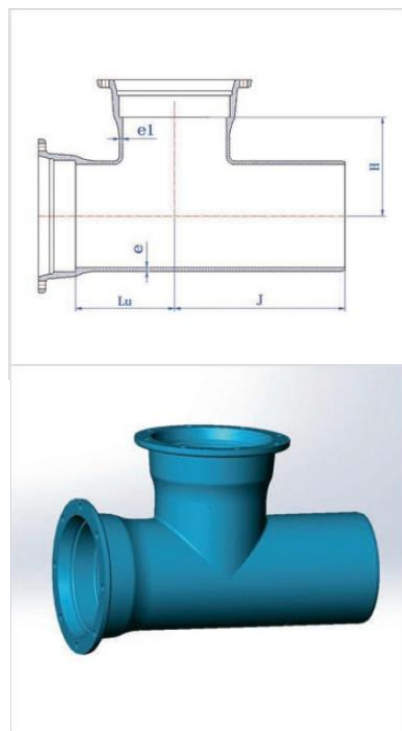


Table 25 dimensions and weight

Main Tee		Branch Tee			Weight		Main Tee		Branch Tee			Weight					
DN/mm	e/mm	Lu/mm	J/mm	dn/mm	e1/mm	H/mm	T	K	DN/mm	e/mm	Lu/mm	J/mm	dn/mm	e1/mm	H/mm	T	K
80	8.1	85	275	80	8.1	85	13.1	15.9	450	13.3	95	320	80	8.1	270	103.0	108.0
100	8.4	85	275	80	8.1	95	15.6	19			105	330	100	8.4	270	107.0	114.0
		95	275	100	8.4	95	16.9	21.7			120	345	125	8.7	270	111.5	118.5
125	8.7	85	280	80	8.1	105	17.7	21.0			135	360	150	9.1	280	116.0	123.0
		95	290	100	8.4	110	19.8	23.0			165	390	200	9.8	280	127.0	133.0
		110	295	125	8.7	110	22.0	24.8			195	415	250	10.5	290	138.0	144.0
150	9.1	85	275	80	8.1	120	22.6	26.5			220	445	300	11.2	290	150.0	159.0
		100	280	100	8.4	120	24.6	29.5			250	460	350	11.9	300	162.0	171.0
		115	305	125	8.7	125	26.8	31.8			280	500	400	12.6	300	172.0	181.0
		130	310	150	9.1	125	28.9	34.0			310	525	450	13.3	310	185.0	193.0
200	9.8	90	275	80	8.1	145	31.4	34.3			95	320	80	8.1	290	111.0	116.0
		100	280	100	8.4	145	33.2	37.8			110	330	100	8.4	295	115.0	120.0
		115	305	125	8.7	145	35.7	40.4	120	345	125	8.7	300	125.5	131.0		
		130	310	150	9.1	150	38.2	42.9	135	360	150	9.1	300	136.0	141.0		
		160	340	200	9.8	155	44.0	48.4	165	390	200	9.8	310	140.0	145.0		
250	10.5	90	300	80	8.1	170	41.3	43.2	195	395	250	10.5	310	161.0	165.0		
		100	300	100	8.4	170	43.8	47.6	225	425	300	11.2	320	174.0	182.0		
		115	315	125	8.7	175	48.0	51.7	255	455	350	11.9	320	186.0	194.0		
		130	310	150	9.1	175	51.9	55.8	280	485	400	12.6	330	199.0	207.0		
		160	340	200	9.8	180	56.7	60.3	310	525	450	13.3	335	212.0	238.0		
		190	370	250	10.5	190	64.0	66.8	340	540	500	14.0	340	231.0	237.0		
300	11.2	95	300	80	8.1	195	54.7	58.4	100	325	80	8.1	340	161.0	162.0		
		105	285	100	8.4	195	57.5	65.3	110	330	100	8.4	345	165.0	166.0		
		120	320	125	8.7	200	60.1	64.3	125	345	125	8.7	350	172.5	173.0		
		130	310	150	9.1	200	67.1	75.1	140	360	150	9.1	350	180.0	180.0		
		160	340	200	9.8	205	72.3	79.9	170	390	200	9.8	360	183.0	183.0		
		190	370	250	10.5	210	82.7	89.5	200	415	250	10.5	360	210.0	210.0		
		220	400	300	11.2	220	91.3	100.0	225	430	300	11.2	370	227.0	234.0		
		250	430	350	11.9	220	91.3	100.0	255	455	350	11.9	370	241.0	245.0		
350	11.9	100	310	100	8.4	220	69.9	77.5	285	485	400	12.6	380	252.0	256.0		
		120	325	125	8.7	225	75.9	83.5	315	525	450	13.3	385	274.0	277.0		
		125	340	150	9.1	225	81.8	89.5	345	545	500	14.0	390	287.0	289.0		
		160	340	200	9.8	230	87.1	94.5	400	600	600	15.4	400	334.0	332.0		
		190	370	250	10.5	235	99.1	106.0	100	345	80	8.1	390	217.0	207.0		
		220	400	300	11.2	240	109.0	120.0	115	345	100	8.4	400	224.0	215.0		
		250	430	350	11.9	250	118.0	129.0	130	360	125	8.7	400	232.0	223.5		
		280	460	400	12.6	280	152.0	163.0	145	370	150	9.1	400	241.0	232.0		
		315	400	200	9.8	245	84.2	91.8	170	400	200	9.8	410	259.0	250.0		
400	12.6	95	300	80	8.1	240	78.7	80.6	200	430	250	10.5	410	277.0	267.0		
		105	310	100	8.4	245	84.2	91.8	230	480	300	11.2	420	297.0	290.0		
		120	330	125	8.7	250	91.5	98.9	260	510	350	11.9	420	317.0	310.0		
		135	340	150	9.1	250	98.7	106.0	290	540	400	12.6	430	337.0	329.0		
		165	345	200	9.8	255	103.0	110.0	315	525	450	13.3	435	361.0	350.0		
		190	375	250	10.5	260	118.0	125.0	350	595	500	14.0	440	380.0	370.0		
		220	400	300	11.2	270	128.0	138.0	405	655	600	15.4	450	430.0	416.0		
		250	430	350	11.9	270	139.0	149.0	460	715	700	16.8	460	486.0	470.0		
		280	460	400	12.6	280	152.0	163.0									

Remark: Sizes comply with ISO2531, wall thicknesses comply with K14.

Remark: Sizes comply with ISO2531, wall thicknesses comply with K14.

All the components can be substituted with equivalent or higher-class materials.

FITTINGS DI ref.1000B / PN 10-16-25

Socket Spigot Tee with Socket Branch

Main Tee				Branch Tee			Weight (Kg)	
DN/mm	e/mm	Lu/mm	J/mm	dn/mm	e1/mm	H/mm	T	K
800	18.2	105	355	80	8.1	440	278.0	254.0
		115	355	100	8.4	445	287.0	264.0
		130	370	125	8.7	450	297.0	274.0
		145	380	150	9.1	450	307.0	284.0
		175	410	200	9.8	460	330.0	305.0
		205	440	250	10.5	460	352.0	328.0
		235	450	300	11.2	470	374.0	353.0
		260	485	350	11.9	470	398.0	376.0
		290	540	400	12.6	480	420.0	398.0
		320	535	450	13.3	485	448.0	422.0
		350	600	500	14.0	490	472.0	447.0
		405	660	600	15.4	500	526.0	497.0
		465	690	700	16.8	510	586.0	556.0
		520	775	800	18.2	520	655.0	618.0
		900	19.6	110	410	80	8.1	490
120	425			100	8.4	500	360.0	333.0
135	435			125	8.7	500	373.0	346.0
150	455			150	9.1	500	386.0	359.0
180	485			200	9.8	510	410.0	383.2
205	515			250	10.5	510	437.0	408.0
235	535			300	11.2	520	462.0	438.0
265	565			350	11.9	520	490.0	464.0
295	590			400	12.6	530	518.0	491.0
325	610			450	13.3	535	547.0	518.0
350	600			500	14.0	540	574.0	546.0
410	660			600	15.4	550	635.0	602.0
470	720			700	16.8	560	700.0	667.0
525	815			800	18.2	570	774.0	733.0
585	835			900	19.6	580	858.0	815.0
1000	21	110	420	80	8.1	540	433.0	434.0
		125	435	100	8.4	550	443.0	445.0
		140	445	125	8.7	550	459.0	460.0
		150	465	150	9.1	550	474.0	475.0
		180	495	200	9.8	560	502.0	503.0
		210	525	250	10.5	560	533.0	533.0
		240	545	300	11.2	570	564.0	568.0
		270	575	350	11.9	570	594.0	597.0
		295	600	400	12.6	580	626.0	628.0
		325	620	450	13.3	585	659.0	658.0
		355	650	500	14.0	590	690.0	690.0
		415	715	600	15.4	600	758.0	754.0
		470	770	700	16.8	610	831.0	825.0
		530	830	800	18.2	620	913.0	901.0
		585	880	900	19.6	630	1000	985.0
645	945	1000	21.0	645	1096	1096		

Remark: Sizes comply with ISO2531, wall thicknesses comply with K14.

Main Tee				Branch Tee			Weight (Kg)	
DN/mm	e/mm	Lu/mm	J/mm	dn/mm	e1/mm	H/mm	T	K
1100	22.4	115	435	80	8.1	590	507.0	472.0
		125	450	100	8.4	600	521.5	487.1
		140	460	125	8.7	600	536.2	501.7
		155	480	150	9.1	600	555.9	522.0
		185	510	200	9.8	610	591.6	556.7
		215	540	250	10.5	610	627.1	591.4
		240	560	300	11.2	620	658.2	624.1
		270	590	350	11.9	620	689.6	658.2
		300	615	400	12.6	630	721.2	691.1
		330	635	450	13.3	635	749.7	722.3
		360	665	500	14.0	640	786.9	758.1
		415	725	600	15.4	650	859.2	829.1
		475	715	700	16.8	660	910.3	869.4
		530	835	800	18.2	670	1031	981.0
		590	890	900	19.6	680	1126	1070
650	1060	1000	21.0	695	1293	1236		
705	1005	1100	22.4	710	1346	1274		
1200	23.8	120	475	80	8.1	640	631.5	632.0
		130	490	100	8.4	650	648.1	649.0
		145	500	125	8.7	650	665.0	667.5
		160	515	150	9.1	650	685.0	686.0
		185	545	200	9.8	660	725.0	726.0
		215	575	250	10.5	660	766.0	766.0
		245	605	300	11.2	670	816.0	819.0
		275	630	350	11.9	670	845.0	849.0
		305	655	400	12.6	680	884.0	886.0
		330	675	450	13.3	685	929.0	928.0
		360	710	500	14.0	690	966.0	966.0
		420	675	600	15.4	700	1054	1050
		475	820	700	16.8	710	1143	1138
		535	835	800	18.2	720	1239	1226
		595	895	900	19.6	730	1339	1325
650	950	1000	21.0	745	1447	1447		
765	1070	1200	23.8	770	1697	1697		
1400	26.6	125	500	80	8.1	740	918.3	773.6
		135	515	100	8.4	750	939.8	795.7
		150	525	125	8.7	750	961.5	817.3
		165	540	150	9.1	750	986.7	843.1
		195	570	200	9.8	760	1039	894.4
		220	600	250	10.5	760	1087	941.3
		250	630	300	11.2	770	1143	998.8
		280	655	350	11.9	770	1186	1045
		310	680	400	12.6	780	1232	1093
		340	700	450	13.3	785	1274	1137
		365	735	500	14.0	790	1327	1188
		425	790	600	15.4	800	1428	1288
		485	845	700	16.8	810	1544	1393
		540	905	800	18.2	820	1658	1499
		600	900	900	19.6	830	1727	1562
655	960	1000	21.0	845	1854	1687		
715	1065	1100	22.4	860	2034	1852		
775	1075	1200	23.8	870	2145	1943		
890	1190	1400	26.6	890	2514	2222		

Remark: Sizes comply with ISO2531, wall thicknesses comply with K14.

All the components can be substituted with equivalent or higher-class materials.

FITTINGS DI ref.1000B / PN 10-16-25

Socket Spigot Tee with Socket Branch

Main Tee				Branch Tee			Weight (Kg)	
DN/mm	e/mm	Lu/mm	J/mm	dn/mm	e1/mm	H/mm	T	K
1600	29.4	200	720	200	9.8	860	1546	1332
		230	750	250	10.5	860	1611	1396
		255	780	300	11.2	870	1674	1461
		315	830	400	12.6	880	1786	1578
		385	885	500	14.0	890	1919	1712
		430	935	600	15.4	900	2023	1814
		545	1050	800	18.2	920	2296	2068
		665	1165	1000	21.0	945	2591	2355
		780	1275	1200	23.8	970	2910	2639
		895	1380	1400	26.6	990	3299	2938
1010	1490	1600	29.4	1010	3752	3322		
1800	32.2	205	720	200	9.8	960	1896	1673
		235	750	250	10.5	960	1979	1755
		265	780	300	11.2	970	2063	1841
		320	830	400	12.6	980	2201	1983
		380	885	500	14.0	990	2339	2122
		435	935	600	15.4	1000	2506	2288
		555	1050	800	18.2	1020	2808	2570
		670	1165	1000	21.0	1045	3146	2901
		785	1275	1200	23.8	1070	3509	3229
		900	1380	1400	26.6	1090	3936	3566
		1015	1490	1600	29.4	1110	4420	3981
1135	1595	1800	32.2	1130	4886	4437		
2000	35	210	720	200	9.8	1060	/	2058
		240	750	250	10.5	1060	/	2156
		270	780	300	11.2	1070	/	2257
		325	830	400	12.6	1080	/	2428
		385	885	500	14.0	1090	/	2596
		445	935	600	15.4	1100	/	2766
		560	1050	800	18.2	1120	/	3129
		675	1165	1000	21.0	1145	/	3513
		790	1275	1200	23.8	1170	/	3893
		905	1380	1400	26.6	1190	/	4275
		1025	1490	1600	29.4	1210	/	4740
		1140	1595	1800	32.2	1230	/	5220
		1255	1705	2000	35.0	1255	/	5777
2200	37.8	215	720	200	9.8	1160	/	2488
		245	750	250	10.5	1160	/	2601
		275	780	300	11.2	1170	/	2719
		335	830	400	12.6	1180	/	2930
		390	885	500	14.0	1190	/	3119
		450	935	600	15.4	1200	/	3321
		565	1050	800	18.2	1220	/	3747
		680	1165	1000	21.0	1245	/	4191
		795	1275	1200	23.8	1270	/	4628
		915	1380	1400	26.6	1290	/	5073
		1030	1490	1600	29.4	1310	/	5580
		1145	1595	1800	32.2	1330	/	6102
		1260	1705	2000	35.0	1355	/	6692
		1375	1810	2200	37.8	1380	/	7340

Remark: Sizes comply with ISO2531, wall thicknesses comply with K14.

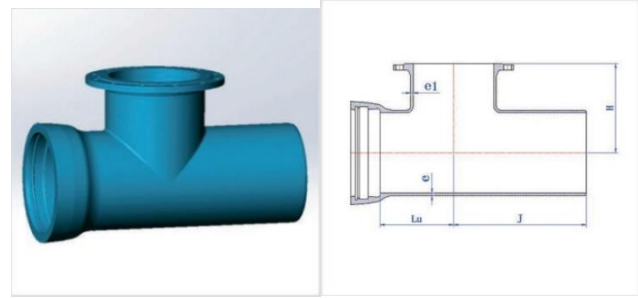
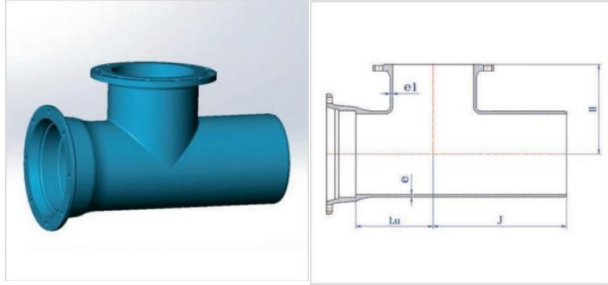
Main Tee				Branch Tee			Weight	
DN/mm	e/mm	Lu/mm	J/mm	dn/mm	e1/mm	H/mm	T	K
2400	40.6	225	720	200	9.8	1260	/	3070
		250	750	250	10.5	1260	/	3195
		280	780	300	11.2	1270	/	3332
		340	830	400	12.6	1280	/	3578
		395	885	500	14.0	1290	/	3800
		455	935	600	15.4	1300	/	4035
		570	1050	800	18.2	1320	/	4530
		685	1165	1000	21.0	1345	/	5042
		805	1275	1200	23.8	1370	/	5552
		920	1380	1400	26.6	1390	/	6047
2600	43.4	1035	1490	1600	29.4	1410	/	6611
		1150	1595	1800	32.2	1430	/	7185
		1265	1705	2000	35.0	1455	/	7822
		1385	1810	2200	37.8	1480	/	8514
		1500	1920	2400	40.6	1500	/	9374
		230	720	200	9.8	1360	/	3616
		260	750	250	10.5	1360	/	3773
		285	780	300	11.2	1370	/	3918
		345	830	400	12.6	1380	/	4202
		405	885	500	14.0	1390	/	4472
		460	935	600	15.4	1400	/	4731
575	1050	800	18.2	1420	/	5300		
695	1165	1000	21.0	1445	/	5898		
810	1275	1200	23.8	1470	/	6466		
925	1380	1400	26.6	1490	/	7027		
1040	1490	1600	29.4	1510	/	7655		
1155	1595	1800	32.2	1530	/	8288		
1275	1705	2000	35.0	1555	/	8993		
1390	1810	2200	37.8	1580	/	9721		
1505	1920	2400	40.6	1600	/	10617		
1620	2025	2600	43.4	1620	/	11504		

Remark: Sizes comply with ISO2531, wall thicknesses comply with K14.

All the components can be substituted with equivalent or higher-class materials.

FITTINGS DI ref.1000B / PN 10-16-25

Socket Spigot Tee with Flange Branch



T Type

K Type

Table 26 dimensions and weight

Main Tee				Branch Tee			Weight (Kg)					
DN/mm	e/mm	Lu/mm	J/mm	DN/mm	e1/mm	H/mm	PN10		PN16		PN25	
							T	K	T	K	T	K
80	8.1	85	275	80	8.1	165	14.0	14.7	14	14.7	14	14.7
100	8.4	85	275	80	8.1	175	16.4	18.7	16.4	18.7	16.4	18.7
		95	285	100	8.4	180	17.8	20.1	17.8	20.1	17.8	20.1
125	8.7	85	275	80	8.1	190	18.7	20.6	18.7	20.6	18.7	20.6
		100	285	100	8.4	195	20.5	22.3	20.3	22.2	20.9	22.8
		110	285	125	8.7	200	21.8	23.7	21.8	23.7	22.4	24.3
150	9.1	85	275	80	8.1	205	23.7	26.1	23.7	26.1	23.7	26.1
		100	285	100	8.4	210	25.4	27.6	25.4	27.6	25.1	27.6
		110	285	125	8.7	215	27.8	30.2	27.7	30.2	27.7	30.2
		130	310	150	9.1	220	30.2	32.7	30.2	32.7	30.2	32.7
200	9.8	90	275	80	8.1	235	32.5	34.5	32.5	34.5	32.5	34.5
		100	280	100	8.4	240	34.3	36.3	34.3	36.3	34.3	36.3
		110	285	125	8.7	240	37.3	39.3	37.3	39.3	37.3	39.3
		130	310	150	9.1	250	40.2	42.2	40.2	42.2	40.2	42.2
		150	340	200	9.8	260	46.6	48.6	47	49	48.5	50.5
250	10.5	90	315	80	8.1	265	43.4	44.8	43.4	44.8	43.4	44.8
		100	325	100	8.4	270	44.9	46.4	44.9	46.4	45	45.8
		115	325	125	8.7	255	51.1	52.6	51.1	52.6	51.7	52.8
		130	360	150	9.1	280	57.3	58.7	57.3	58.7	58.3	59.7
		150	385	200	9.8	290	57.9	59.1	57.9	59.1	59.7	61.1
		180	415	250	10.5	300	65.7	66.7	65.7	66.7	68.1	71.1
300	11.2	90	340	80	8.1	295	58.8	61.1	58.8	61.1	58.8	61.1
		105	355	100	8.4	300	62.1	64.4	62	64.3	62.6	64.9
		115	360	125	8.7	285	64.1	66.4	64.1	66.4	64.7	67
		130	390	150	9.1	310	70.9	76.3	71.9	76.3	71.9	77.3
		160	415	200	9.8	320	77.6	79.9	77.6	79.9	79.4	81.7
		190	445	250	10.5	330	87.3	89.6	87	89.3	90.6	92.9
		215	475	300	11.2	340	97.8	100.1	97.9	99.8	112.7	115
350	11.9	95	345	80	8.1	325	68.3	73.3	68.3	73.3	68.3	73.3
		100	355	100	8.4	330	72.7	77.7	72.6	77.6	73.2	78.2
		115	360	125	8.7	315	73.4	78.4	73.4	78.4	74	79
		135	390	150	9.1	340	85.2	90.2	85.2	90.2	85.2	90.2
		160	415	200	9.8	350	88.7	93.7	88.7	93.7	90.5	95.5
		190	445	250	10.5	350	106	110	116	120	127	131
		210	475	300	11.2	350	114	122	120	124	131	135
		240	500	350	11.9	380	121	125.5	123.3	128.3	132	136.2
400	12.6	95	355	80	8.1	355	80.9	87.2	80.9	87.2	80.9	87.2
		105	355	100	8.4	360	84.2	89.3	84.2	89.2	84.2	89.8
		115	360	125	8.7	345	92.0	97.0	92.0	97.0	92.0	97.0
		135	390	150	9.1	370	99.8	104.0	99.8	104.0	99.6	104.0
		160	415	200	9.8	380	105.0	109.0	104.0	109.0	106.0	110.8
		190	445	250	10.5	390	120.0	125.0	120.0	125.0	123.0	129.0
		220	475	300	11.2	400	134.0	138.0	133.0	137.0	139.0	143.0
		240	500	350	11.9	400	144.0	148.0	146.0	151.0	155.0	160.0
		280	530	400	12.6	420	152.0	158.3	158.5	164.8	167.7	174.0

Remark: Sizes comply with ISO2531. wall thicknesses comply with K14.

Main Tee				Branch Tee			Weight (Kg)					
DN/mm	e/mm	Lu/mm	J/mm	DN/mm	e1/mm	H/mm	PN10		PN16		PN25	
							T	K	T	K	T	K
450	13.3	95	355	80	8.1	370	97.2	106.2	97.2	106.2	97.2	106.2
		110	355	100	8.4	390	106.0	110.0	107.0	111.0	107.0	111.0
		115	360	125	8.7	405	113.0	117.0	113.0	117.0	115.5	117.0
		135	390	150	9.1	400	120.0	124.0	120.0	123.0	124.0	127.0
		165	415	200	9.8	410	130.0	134.0	130.0	134.0	132.0	136.0
		195	445	250	10.5	420	141.0	145.0	140.0	144.0	144.0	148.0
		220	475	300	11.2	430	156.0	158.0	155.0	158.0	161.0	164.0
		240	500	350	11.9	440	165.0	169.0	168.0	172.0	177.0	181.0
		280	530	400	12.6	450	180.0	184.0	185.0	189.0	196.0	200.0
		310	555	450	13.3	460	191.0	195.0	199.0	203.0	215.0	219.0
500	14	95	355	80	8.1	400	113.1	117.7	113.1	117.7	113.1	117.7
		110	355	100	8.4	420	116.0	121.3	116.0	121.3	116.0	121.8
		120	360	125	8.7	420	127.0	130.7	127.0	130.7	127.0	131.4
		140	390	150	9.1	425	138.0	140.0	138.0	140.0	138.0	141.0
		165	415	200	9.8	440	142.0	146.0	141.0	146.0	143.0	147.8
		190	445	250	10.5	440	165.0	168.0	164.0	167.0	168.0	171.0
		220	475	300	11.2	440	178.0	181.0	178.0	181.0	183.0	186.0
		245	500	350	11.9	450	192.0	194.0	195.0	197.0	203.0	206.0
		280	530	400	12.6	480	198.0	203.4	204.0	209.9	215.0	219.1
		300	555	450	13.3	480	219.0	222.0	227.0	230.0	243.0	245.0
600	15.4	340	580	500	14.0	500	231.0	237.3	246.0	251.7	258.0	262.1
		100	355	80	8.1	460	162.7	162.0	162.7	162.0	163.0	162.0
		100	355	100	8.4	460	166.0	164.0	166.0	164.0	167.0	165.0
		120	360	125	8.7	465	174.5	172.5	174.5	172.5	175.5	173.5
		130	390	150	9.1	470	183.0	181.0	183.0	181.0	184.0	182.0
		170	415	200	9.8	500	184.0	187.8	184.0	187.8	186.0	189.6
		190	445	250	10.5	490	215.0	201.7	215.0	201.3	219.0	205.0
		215	475	300	11.2	500	231.0	228.0	230.0	228.0	235.0	233.0
		245	500	350	11.9	510	247.0	245.0	250.0	248.0	258.0	256.0
		285	530	400	12.6	540	253.0	255.9	258.0	262.4	269.0	271.6
700	16.8	305	555	450	13.3	530	279.0	277.0	288.0	286.0	303.0	301.0
		335	580	500	14.0	540	299.0	297.0	303.0	301.0	326.0	324.0
		400	635	600	15.4	580	333.5	339.8	359.0	364.8	373.0	377.2
		105	345	80	8.1	490	238.0	238.0	238.0	238.0	238.0	240.0
		115	345	100	8.4	490	242.0	243.0	242.0	243.0	243.0	244.0
		125	361	125	8.7	495	244.0	244.0	244.0	244.0	245.0	245.0
		140	370	150	9.1	500	246.0	246.0	246.0	246.0	247.0	247.0
		170	385	200	9.8	525	249.0	249.0	249.0	249.0	251.0	251.0
		195	430	250	10.5	515	275.0	275.0	275.0	275.0	278.5	279.0
		220	440	300	11.2	520	300.0	301.0	300.0	301.0	306.0	307.0

Remark: Sizes comply with ISO2531. wall thicknesses comply with K14.

All the components can be substituted with equivalent or higher-class materials.

FITTINGS DI ref.1000B / PN 10-16-25

Socket Spigot Tee with Flange Branch

Main Tee				Branch Tee			Weight (Kg)					
DN/mm	e/mm	Lu/mm	L/mm	DN/mm	e1/mm	H/mm	PN10		PN16		PN25	
							T	K	T	K	T	K
800	18.2	120	355	80	8.1	550	299.0	290.0	299.0	290.0	299.0	290.0
		130	355	100	8.4	550	304.0	295.0	304.0	295.0	305.0	295.0
		145	371	125	8.7	555	306.0	296.5	306.0	296.5	306.0	297.5
		155	381	150	9.1	560	308.0	298.0	308.0	298.0	309.0	299.0
		175	395	200	9.8	585	311.0	302.0	311.0	301.0	313.0	303.0
		210	441	250	10.5	585	351.0	342.0	351.0	341.0	355.0	346.0
		240	451	300	11.2	585	371.0	362.0	371.0	362.0	377.0	368.0
		265	485	350	11.9	590	388.0	379.0	390.5	381.5	399.0	390.0
		290	505	400	12.6	615	405.0	396.0	410.0	401.0	421.0	412.0
		320	535	450	13.3	615	463.5	454.5	473.5	464.5	485.0	476.0
		345	571	500	14.0	615	522.0	513.0	537.0	528.0	549.0	540.0
		405	605	600	15.4	645	588.0	579.0	612.0	603.0	624.0	614.0
		460	700	700	16.8	655	620.0	626.0	635.0	600.0	669.0	660.0
520	760	800	18.2	675	640.0	631.0	655.0	646.0	708.0	699.0		
900	19.6	120	440	80	8.1	605	356.1	337.1	356.1	337.1	356.1	337.1
		130	450	100	8.4	610	364.9	345.9	364.9	345.9	365.4	346.4
		145	465	125	8.7	615	378.0	359.0	378.0	359.0	378.6	359.6
		155	485	150	9.1	620	391.3	372.3	391.3	372.3	392.2	373.2
		180	515	200	9.8	645	416.5	397.5	416.6	397.6	418.4	399.4
		210	545	250	10.5	645	443.7	424.7	443.4	424.4	447.0	428.0
		240	565	300	11.2	650	467.5	448.5	467.2	448.2	482.4	463.4
		265	600	350	11.9	660	494.1	475.1	496.9	477.9	504.8	485.8
		295	630	400	12.6	675	522.7	503.7	529.2	510.2	538.4	519.4
		320	660	450	13.3	680	547.6	528.6	556.9	537.9	567.3	548.3
		345	700	500	14.0	690	580.3	561.3	594.7	575.7	605.1	586.1
		410	760	600	15.4	705	645.4	626.4	670.4	651.4	682.8	663.8
		460	795	700	16.8	720	699.5	680.5	713.6	694.6	746.1	727.1
520	855	800	18.2	735	776.4	757.4	794.1	775.1	840.1	821.1		
585	905	900	19.6	750	853.2	834.2	874.8	855.8	930.8	911.8		
1000	21	120	450	80	8.1	670	434.6	413.6	434.6	413.6	434.6	413.6
		130	460	100	8.4	670	448.4	426.8	448.4	426.8	448.9	427.3
		145	475	125	8.7	675	463.8	442.2	463.8	442.2	464.4	442.8
		155	495	150	9.1	680	475.8	454.8	475.8	454.8	476.7	455.7
		180	525	200	9.8	705	505.1	484.1	505.2	484.2	507.0	486.0
		210	555	250	10.5	705	536.8	515.8	536.5	515.5	540.1	519.1
		240	575	300	11.2	710	564.2	543.2	563.9	542.9	579.1	558.1
		265	610	350	11.9	720	595.3	574.3	598.1	577.1	606.0	585.0
		295	640	400	12.6	735	628.2	607.2	634.7	613.7	643.9	622.9
		320	670	450	13.3	740	657.1	636.1	666.4	645.4	676.8	655.8
		345	710	500	14.0	750	694.3	673.3	708.7	687.7	719.1	698.1
		410	770	600	15.4	765	768.0	747.0	793.0	772.0	805.4	784.4
		465	805	700	16.8	780	829.7	808.7	843.8	822.8	876.3	855.3
520	865	800	18.2	795	911.3	890.3	929.0	908.0	975.0	954.0		
580	915	900	19.6	810	991.1	970.1	1013	991.7	1069	1048		
645	980	1000	21.0	825	1096	1075	1133	1112	1206	1185		

Remark: Sizes comply with ISO2531, wall thicknesses comply with K14.

Main Tee				Branch Tee			Weight (Kg)					
DN/mm	e/mm	Lu/mm	L/mm	DN/mm	e1/mm	H/mm	PN10		PN16		PN25	
							T	K	T	K	T	K
1100	22.4	120	465	80	8.1	730	528.7	492.3	528.7	492.3	528.7	492.3
		130	475	100	8.4	730	540.6	504.2	540.5	504.1	541.1	504.7
		145	490	125	8.7	735	558.4	522.0	558.4	522.0	559.0	522.6
		155	510	150	9.1	740	576.4	540.0	576.4	540.0	577.4	541.0
		180	540	200	9.8	745	609.4	573.0	609.4	573.0	611.2	574.8
		210	570	250	10.5	755	646.3	609.9	645.9	609.5	649.6	613.2
		240	590	300	11.2	760	677.5	641.1	677.2	640.8	692.4	656.0
		265	625	350	11.9	770	713.2	676.8	716.0	679.6	723.9	687.5
		300	655	400	12.6	795	754.6	718.2	761.1	724.7	770.3	733.9
		345	685	450	13.3	795	787.2	750.8	796.5	760.1	806.9	770.5
		350	725	500	14.0	795	827.6	791.2	842.0	805.6	852.4	816.0
		415	785	600	15.4	825	913.4	877.0	938.4	902.0	950.8	914.4
		470	820	700	16.8	830	978.6	942.2	992.7	956.3	1026	988.8
525	880	800	18.2	835	1065	1028	1082	1046	1128	1092		
585	930	900	19.6	850	1150	1113	1171	1135	1227	1191		
640	995	1000	21.0	870	1257	1220	1294	1258	1367	1331		
695	1045	1100	22.4	880	1359	1323	1399	1361	1481	1445		
1200	23.8	120	500	80	8.1	790	649.9	593.9	649.9	593.9	649.9	593.9
		130	510	100	8.4	790	663.6	607.6	663.5	607.5	664.1	608.1
		145	525	125	8.7	795	684.0	628.0	684.0	628.0	684.6	628.6
		155	545	150	9.1	800	704.7	648.7	704.7	648.7	705.7	649.7
		180	570	200	9.8	805	739.3	683.3	739.3	683.3	741.1	685.1
		210	600	250	10.5	815	781.4	725.4	781.1	725.1	784.7	728.7
		240	630	300	11.2	820	823.5	767.5	823.2	767.2	838.4	782.4
		265	660	350	11.9	830	861.1	805.1	863.9	807.9	871.8	815.8
		295	690	400	12.6	835	902.6	846.6	909.1	853.1	918.3	862.3
		325	720	450	13.3	845	943.9	887.9	953.2	897.2	963.6	907.6
		355	760	500	14.0	850	993.8	937.8	1009	952.2	1019	962.6
		420	820	600	15.4	885	1091	1035	1116	1060	1128	1072
		470	855	700	16.8	885	1159	1103	1173	1117	1205	1149
535	915	800	18.2	915	1267	1211	1285	1229	1331	1275		
595	965	900	19.6	920	1358	1302	1379	1323	1435	1379		
650	1030	1000	21.0	945	1476	1420	1514	1458	1586	1530		
760	1145	1200	23.8	955	1710	1654	1768	1712	1859	1803		
1400	26.6	170	525	80	8.1	870	979.3	833.2	979.3	833.2	979.3	833.2
		210	535	100	8.4	875	1023	876.2	1023	876.1	1023	876.7
		225	550	125	8.7	880	1049	902.4	1049	902.4	1050	903.0
		240	570	150	9.1	880	1079	932.8	1079	932.8	1080	933.7
		270	595	200	9.8	890	1128	981.0	1128	981.1	1129	982.9
		280	625	250	10.5	895	1164	1018	1163	1017	1167	1021
		325	655	300	11.2	905	1230	1084	1229	1083	1245	1099
		355	685	350	11.9	910	1281	1135	1284	1138	1292	1146
		385	715	400	12.6	920	1334	1188	1340	1194	1349	1203
		415	745	450	13.3	925	1385	1239	1394	1248	1405	1259
		440	785	500	14.0	935	1444	1298	1458	1312	1469	1322
		515	845	600	15.4	980	1573	1426	1598	1451	1610	1464
		560	880	700	16.8	990	1652	1506	1666	1520	1698	1552
630	940	800	18.2	1010	1783	1637	1801	1655	1847	1701		
675	990	900	19.6	1020	1879	1733	1901	1755	1957	1811		
750	1055	1000	21.0	1040	2030	1884	2067	1920	2140	1994		
790	1105	1100	22.4	1045	2136	1990	2174	2028	2258	2112		
850	1170	1200	23.8	1050	2281	2135	2340	2194	2430	2284		
965	1270	1400	26.6	1070	2556	2410	2617	2471	2757	2611		

Remark: Sizes comply with ISO2531, wall thicknesses comply with K14.

TECHNICAL DATA SHEET

All the components can be substituted with equivalent or higher-class materials.

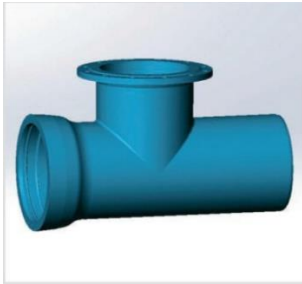
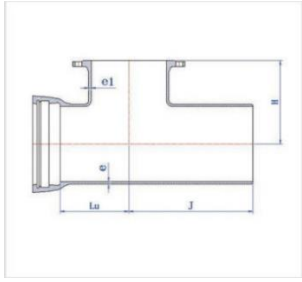
DAVINCI VALVES LTD, is constantly looking at all ways of improving our products and services related to the water, fire and industry sector and therefore we reserve the right to change, without prior notice, any of the data contained here. Please contact our Technical Sales Department for detailed advice. © 2018 DAVINCI VALVES LTD.
www.davincivalves.com info@davincivalves.com +34 616553797 / +86 17340168233
 18 Dongyu Street, Square One 11th Floor 1101. Jinjiang District, Chengdu, Sichuan Province, China

FITTINGS DI ref.1000B / PN 10-16-25

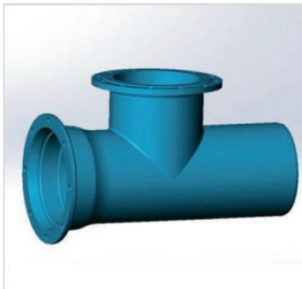
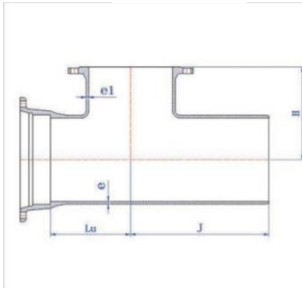
Socket Spigot Tee with Flange Branch

T Type

Table 26 dimensions and weight



K Type



DN/mm	e/mm	Main Tee			Branch Tee			Weight (Kg)								
		Lu/mm	J/mm		DN/mm	e1/mm	H/mm	PN10		PN16		PN25				
		T	K	T	K	T	K	T	K	T	K					
1600	29.4	220	755	80	8.1	1015	1605	1390	1605	1390	1605	1390				
		225	755	100	8.4	1025	1612	1397	1612	1397	1612	1397				
		260	755	150	9.1	1025	1646	1431	1646	1431	1647	1432				
		2590	730	200	9.8	1030	1658	1443	1658	1443	1660	1445				
		320	760	250	10.5	1040	1725	1510	1724	1509	1728	1513				
		345	790	300	11.2	1045	1786	1571	1785	1570	1801	1586				
		405	860	400	12.6	1060	1927	1712	1934	1719	1943	1728				
		465	895	500	14.0	1080	2066	1846	2080	1860	2091	1871				
		520	915	600	15.4	1090	2121	1906	2146	1931	2158	1943				
		640	970	800	18.2	1120	2335	2120	2353	2138	2399	2184				
		750	1090	1000	21.0	1150	2622	2407	2659	2444	2732	2517				
		870	1210	1200	23.8	1180	2949	2734	3007	2792	3098	2883				
		985	1315	1400	26.6	1210	3270	3055	3331	3116	3471	3256				
		1100	1430	1600	29.4	1240	3675	3460	3767	3552	3927	3712				
		300	730	200	9.8	1150	2040	1816	2041	1816	2042	1818				
		320	760	250	10.5	1150	2110	1885	2109	1885	2113	1888				
		350	790	300	11.2	1155	2191	1967	2191	1966	2206	1982				
410	860	400	12.6	1170	2367	2143	2374	2149	2383	2158						
470	915	500	14.0	1185	2516	2291	2530	2306	2541	2316						
525	970	600	15.4	1200	2675	2450	2700	2475	2712	2487						
640	1090	800	18.2	1230	2999	2775	3017	2792	3063	2838						
760	1210	1000	21.0	1260	3348	3124	3386	3162	3459	3234						
875	1315	1200	23.8	1290	3699	3474	3757	3533	3848	3623						
990	1430	1400	26.6	1320	4074	3849	4134	3910	4274	4050						
1110	1540	1600	29.4	1350	4512	4287	4604	4380	4764	4540						
1225	1615	1800	32.2	1380	4919	4692	5030	4805	5247	5022						
300	730	200	9.8	1250	2230	2230	2230	2230	2230	2232						
330	760	250	10.5	1260	/	2320	/	2320	/	2324						
360	790	300	11.2	1265	/	2428	/	2428	/	2433						
415	860	400	12.6	1280	/	2621	/	2628	/	2637						
475	915	500	14.0	1295	/	2799	/	2814	/	2824						
530	970	600	15.4	1310	/	2966	/	2991	/	3004						
640	1090	800	18.2	1340	/	3362	/	3380	/	3426						
765	1210	1000	21.0	1370	/	3778	/	3815	/	3888						
880	1315	1200	23.8	1400	/	4180	/	4239	/	4329						
1000	1430	1400	26.6	1430	/	4614	/	4674	/	4814						
1110	1540	1600	29.4	1460	/	5081	/	5174	/	5334						
1230	1615	1800	32.2	1490	/	5519	/	5632	/	5849						
1345	1725	2000	35.0	1520	/	6072	/	6209	/	6531						
310	730	200	9.8	1360	/	2687	/	2687	/	2689						
335	760	250	10.5	1370	/	2795	/	2795	/	2798						
365	790	300	11.2	1380	/	2910	/	2910	/	2925						
420	860	400	12.6	1395	/	3151	/	3157	/	3166						
480	915	500	14.0	1410	/	3361	/	3375	/	3386						
540	970	600	15.4	1420	/	3567	/	3592	/	3605						
655	1090	800	18.2	1445	/	4036	/	4053	/	4099						
770	1210	1000	21.0	1480	/	4500	/	4538	/	4610						
890	1315	1200	23.8	1510	/	4970	/	5028	/	5119						
1000	1430	1400	26.6	1540	/	5443	/	5504	/	5644						
1120	1540	1600	29.4	1570	/	5981	/	6073	/	6233						
1235	1615	1800	32.2	1600	/	6447	/	6560	/	6777						
1350	1725	2000	35.0	1630	/	7036	/	7173	/	7495						
1465	1830	2200	37.8	1660	/	7699	/	7857	/	/						

Remark: Sizes comply with ISO2531, wall thicknesses comply with K14.

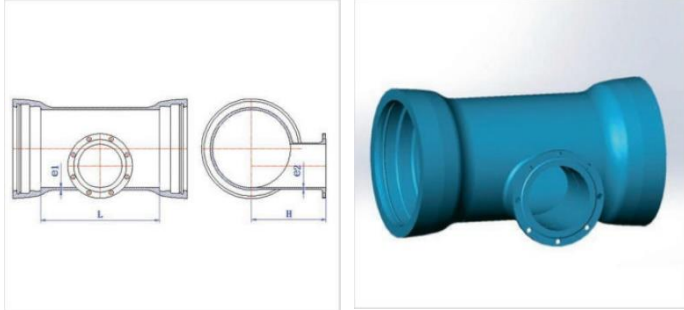
DN/mm	e/mm	Main Tee			Branch Tee			Weight (Kg)								
		Lu/mm	J/mm		DN/mm	e1/mm	H/mm	PN10		PN16		PN25				
		T	K	T	K	T	K	T	K	T	K					
2400	40.6	310	730	200	9.8	1470	/	3285	/	3285	/	3287				
		340	760	250	10.5	1480	/	3422	/	3421	/	3425				
		370	790	300	11.2	1490	/	3556	/	3556	/	3571				
		430	860	400	12.6	1505	/	3848	/	3854	/	3863				
		490	915	500	14.0	1520	/	4093	/	4107	/	4118				
		545	970	600	15.4	1530	/	4324	/	4340	/	4361				
		660	1090	800	18.2	1560	/	4866	/	4883	/	4929				
		780	1210	1000	21.0	1590	/	5410	/	5448	/	5521				
		895	1315	1200	23.8	1620	/	5932	/	5990	/	6081				
		1010	1430	1400	26.6	1650	/	6481	/	6541	/	6681				
		1125	1540	1600	29.4	1680	/	7068	/	7161	/	7321				
		1240	1640	1800	32.2	1710	/	7578	/	7692	/	7908				
		1360	1725	2000	35.0	1740	/	8228	/	8365	/	8687				
		1472	1830	2200	37.8	1770	/	8920	/	9078	/	/				
		1590	1935	2400	40.6	1800	/	9666	/	9873	/	/				
		320	730	200	9.8	1580	/	3878	/	3878	/	3880				
		350	760	250	10.5	1590	/	4036	/	4036	/	4039				
380	790	300	11.2	1600	/	4191	/	4191	/	4205						
435	860	400	12.6	1615	/	4514	/	4521	/	4530						
495	915	500	14.0	1630	/	4797	/	4812	/	4822						
550	970	600	15.4	1640	/	5065	/	5090	/	5102						
670	1090	800	18.2	1670	/	5698	/	5716	/	5762						
785	1210	1000	21.0	1700	/	6309	/	6347	/	6419						
900	1315	1200	23.8	1730	/	6899	/	6957	/	7048						
1015	1430	1400	26.6	1750	/	7509	/	7570	/	7710						
1130	1540	1600	29.4	1790	/	8172	/	8264	/	8425						
1250	1615	1800	32.2	1820	/	8746	/	8859	/	9076						
1365	1725	2000	35.0	1850	/	9442	/	9579	/	9901						
1480	1830	2200	37.8	1880	/	10191	/	10349	/	/						
1595	1935	2400	40.6	1910	/	10968	/	11175	/	/						
1710	2035	2600	43.4	1940	/	11827	/	12045	/	/						

Remark: Sizes comply with ISO2531, wall thicknesses comply with

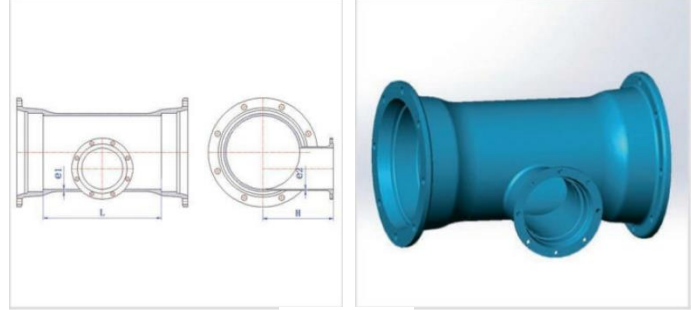
All the components can be substituted with equivalent or higher-class materials.

FITTINGS DI ref.1000B / PN 10-16-25

Double socket level invert tee with flange branch



T Type



K Type

Table 27 dimensions and weight

Main Tee			Branch Tee			Weight (Kg)						Remark	
DN/mm	e1/mm	L/mm	DN/mm	e2/mm	H/mm	T			K			ISO2531	
100	8.4	170	80	8.1	175	15.8	15.8	15.8	20	20	20	20	
150	9.1	170	80	8.1	205	23	23	23	28	28	28	28	
		195	100	8.4	210	24.5	24.5	25	29.5	29.5	29.5	29.5	
200	9.8	175	80	8.1	235	31.5	31.5	31.5	36	36	36	36	
		200	100	8.4	240	33.5	33.5	34	38	38	38	38	
		255	150	9.1	250	39	39	40	43.4	43.4	43.4	43.4	
250	10.5	180	80	8.1	265	42.2	42.2	42.2	43.6	43.6	43.6	43.6	
		200	100	8.4	270	43.5	43.5	44	46	46	46	46.5	
		260	150	9.1	280	51.3	51.3	52.2	52.7	52.7	53.6	53.6	
		315	200	9.8	290	57	57	59	60	60	62	62	
300	11.2	180	80	8.1	295	60.8	60.8	60.8	65.4	65.4	65.4	65.4	
		205	100	8.4	300	64.2	64.2	64.2	68.8	68.8	69.3	69.3	
		230	125	8.7	300	67	67	67.6	71.6	71.6	72.2	72.2	
		260	150	9.1	310	71.2	71.2	72.1	75.8	75.8	76.7	76.7	
		320	200	9.8	320	77.9	77.9	79.7	82.5	82.5	84.3	84.3	
		380	250	10.5	330	87.8	87.4	91.1	92.4	92	95.7	95.7	
350	11.9	185	80	8.1	325	63.6	63.6	63.6	76	76	76	76	
		205	100	8.4	330	68	68	68	78.4	78.4	78.9	78.9	
		230	125	8.7	330	70.2	70.2	70.8	82.6	82.6	83.2	83.2	
		270	150	9.1	340	82.3	81.3	82.3	93	93	93	93	
		325	200	9.8	350	86	86	88	96	96	98	98	
		385	250	10.5	360	93.2	92.9	96.5	105.6	105.3	108.9	108.9	
		420	300	11.2	370	105	104.7	109.9	117.4	117.1	122.3	122.3	
400	12.6	185	80	8.1	355	75.2	75.2	75.2	87.8	87.8	87.8	87.8	
		210	100	8.4	360	83	83	83	93	93	93	93	
		230	125	8.7	360	86.2	86.2	86.7	95.3	95.3	95.9	95.9	
		270	150	9.1	370	89.3	89.3	90.3	101.9	101.9	102.9	102.9	
		325	200	9.8	380	103	102	104	113	112	114	114	
		385	250	10.5	390	111.3	111	114.6	123.9	123.6	127.2	127.2	
		440	300	11.2	400	123.5	123.2	128.4	136.1	135.8	141	141	
450	13.3	480	350	11.9	410	132.9	135.7	143.6	145.5	148.3	156.2	156.2	
		215	100	8.4	390	90.5	90.5	91	108.5	108.5	109	109	
		230	125	8.7	390	93.8	93.8	94.4	111.8	111.8	112.4	112.4	
		270	150	9.1	400	101.3	101.3	102.2	119.3	119.3	120.2	120.2	
		330	200	9.8	410	113.2	113.2	115	131.2	131.2	133	133	
		390	250	10.5	420	126.4	126.1	129.7	144.4	144.1	147.7	147.7	
		445	300	11.2	430	139.7	139.4	144.6	157.7	157.4	162.6	162.6	
		480	350	11.9	430	148	150.8	158.7	166	168.8	176.7	176.7	
		560	400	12.6	450	166.6	173.1	182.3	184.6	191.1	200.3	200.3	
500	14	190	80	8.1	400	103.2	103.2	103.2	118.4	118.4	118.4	118.4	
		215	100	8.4	420	116	116	117	123.7	123.7	124.2	124.2	
		240	125	8.7	420	113.8	113.8	114.4	129	129	129.6	129.6	
		280	150	9.1	420	121.9	121.9	122.9	137.1	137.1	138.1	138.1	
		330	200	9.8	440	142	141	143	149	149.1	150.9	150.9	
		380	250	10.5	440	146.1	145.8	149.4	161.3	161	164.6	164.6	
		440	300	11.2	440	160.5	160.2	165.4	175.7	175.4	180.6	180.6	
		490	350	11.9	450	172.6	175.4	183.3	187.8	190.6	198.5	198.5	
		565	400	12.6	480	199	205	216	208.2	214.7	223.9	223.9	
		600	450	13.3	480	203.3	212.6	223	218.5	227.8	238.2	238.2	

Remark: Sizes comply with ISO2531, wall thicknesses comply with K14.

Main Tee			Branch Tee			Weight (Kg)						Remark	
DN/mm	e1/mm	L/mm	DN/mm	e2/mm	H/mm	T			K			ISO2531	
600	15.4	195	80	8.1	460	139.5	139.5	139.5	152.1	152.1	152.1	152.1	
		200	100	8.4	460	141.3	141.3	141.8	153.9	153.9	154.4	154.4	
		240	125	8.7	465	151.3	151.3	151.9	163.9	163.9	164.5	164.5	
		260	150	9.1	470	163.1	163.1	164	175.7	175.7	176.6	176.6	
		340	200	9.8	500	189	189	191	191.1	191.1	191.2	193	
		380	250	10.5	500	191.1	190.7	194.4	203.7	203.3	207	207	
		430	300	11.2	500	206.2	205.9	211.1	218.8	218.5	223.7	223.7	
		490	350	11.9	510	222.8	225.6	233.5	235.4	238.2	246.1	246.1	
		570	400	12.6	540	258	263	274	260.4	266.9	276.1	276.1	
		610	450	13.3	540	260.5	269.8	280.2	273.1	282.4	292.8	292.8	
		670	500	14	540	280.6	295	305.4	293.2	307.6	318	318	
		210	80	8.1	490	208.8	208.8	208.8	189.8	189.8	189.8	189.8	
		230	100	8.4	490	215	215	215.5	196	196	196.5	196.5	
		250	125	8.7	495	221.5	221.5	222.1	202.5	202.5	203.1	203.1	
		280	150	9.1	500	231.1	231.1	232.1	212.1	212.1	213.1	213.1	
		345	200	9.8	525	252.4	252.4	254.2	233.4	233.4	235.2	235.2	
		390	250	10.5	525	268	267.7	271.3	249	248.7	252.3	252.3	
		440	300	11.2	525	285.3	285	290.2	266.3	266	271.2	271.2	
		500	350	11.9	530	304.1	306.9	314.8	285.1	287.9	295.8	295.8	
		575	400	12.6	555	330.7	337.2	346.4	311.7	318.2	327.4	327.4	
		610	450	13.3	545	341.6	350.9	361.3	322.6	331.9	342.3	342.3	
		680	500	14	550	374.5	388.9	399.3	365.5	379.9	390.3	390.3	
		770	600	15.4	565	416.3	441.3	453.7	407.3	432.3	444.7	444.7	
700	16.8	240	80	8.1	550	283	283	283	256	256	256	256	
		260	100	8.4	550	290	289.9	290.5	263.6	263.5	264.1	264.1	
		290	125	8.7	555	301.4	301.4	302	275	275	275.6	275.6	
		310	150	9.1	560	310	310	310.9	283.6	283.6	284.5	284.5	
		350	200	9.8	585	326.5	326.6	328.4	300.1	300.2	302	302	
		420	250	10.5	585	353.8	353.4	357.1	327.4	327	330.7	330.7	
		480	300	11.2	585	378.4	378.1	383.3	352	351.7	356.9	356.9	
		530	350	11.9	590	398.1	400.9	408.8	371.7	374.5	382.4	382.4	
		580	400	12.6	615	419.2	425.7	434.9	392.8	399.3	408.5	408.5	
		640	450	13.3	615	443.2	452.5	462.9	416.8	426.1	436.5	436.5	
		690	500	14	615	522	513	537	528	549	540	540	
		810	600	15.4	625	588	579	612	603	624	614	614	
		240	80	8.1	605	358.4	358.4	358.4	320.4	320.4	320.4	320.4	
		260	100	8.4	610	367.5	367.4	368	329.5	329.4	330	330	
		290	125	8.7	615	381.2	381.2	381.8	343.2	343.2	343.8	343.8	
		310	150	9.1	620	390.7	390.7	391.6	352.7	352.7	353.6	353.6	
		355	200	9.8	645	411.6	411.7	413.5	373.6	373.7	375.5	375.5	
		420	250	10.5	645	442.1	441.7	445.4	404.1	403.7	407.4	407.4	
		480	300	11.2	650	470.5	470.2	475.4	432.5	432.2	437.4	437.4	
		530	350	11.9	660	493.6	496.4	504.3	455.6	458.4	466.3	466.3	
		590	400	12.6	675	522.8	529.3	538.5	484.8	491.3	500.5	500.5	
		640	450	13.3	665	544.1	553.4	563.8	506.1	515.4	525.8	525.8	
		690	500	14.0	670	569.6	584.3	594.7	531.9	546.3	556.7	556.7	
		820	600	15.4	685	638.7	663.7	676.1	600.7	625.7	638.1	638.1	

Remark: Sizes comply with ISO2531, wall thicknesses comply with K14.

All the components can be substituted with equivalent or higher-class materials.

FITTINGS DI ref.1000B / PN 10-16-25

Double socket level invert tee with flange branch

Main Tee			Branch Tee			Weight (Kg)						Remark
DN/mm	e1/mm	L/mm	DN/mm	e2/mm	H/mm	T			K			ISO2531
						PN10	PN16	PN25	PN10	PN16	PN25	
1000	21	240	80	8.1	670	439.3	439.3	439.3	397.3	397.3	397.3	
		260	100	8.4	670	449.9	449.8	450.4	407.9	407.8	408.4	
		290	125	8.7	675	465.7	465.7	466.3	423.7	423.7	424.3	
		310	150	9.1	680	476.7	476.7	477.7	434.7	434.7	435.7	
		360	200	9.8	705	504.4	504.4	506.2	462.4	462.4	464.2	
		420	250	10.5	705	536.9	536.6	540.2	494.9	494.6	498.2	
		480	300	11.2	710	569.9	569.6	574.8	527.9	527.6	532.8	
		530	350	11.9	720	596.7	599.5	607.4	554.7	557.5	565.4	
		595	400	12.6	735	632.9	639.4	648.6	590.9	597.4	606.6	
		640	450	13.3	725	655.3	664.6	675	613.3	622.6	633	
		690	500	14.0	730	684.7	699.1	709.5	642.7	657.1	667.5	
		825	600	15.4	745	756.2	781.2	793.6	714.2	739.2	751.6	
1100	22.4	240	80	8.1	730	539.7	539.7	539.7	466.9	466.9	466.9	
		260	100	8.4	730	548.9	548.9	549.4	476.1	476.1	476.6	
		290	125	8.7	735	567.3	567.3	567.9	494.5	494.5	495.1	
		310	150	9.1	740	580	580	581	507.2	507.2	508.2	
		360	200	9.8	745	611	611	612.8	538.2	538.2	540	
		420	250	10.5	755	648.9	648.5	652.2	576.1	575.7	579.4	
		480	300	11.2	760	686.7	686.4	691.6	613.9	613.6	618.8	
		530	350	11.9	770	717.4	720.2	728.1	644.6	647.4	655.3	
		600	400	12.6	795	762.8	769.3	778.5	690	696.5	705.7	
		650	450	13.3	795	793.1	802.4	812.8	720.3	729.6	740	
		700	500	14	795	825.8	840.2	850.6	753	767.4	777.8	
		830	600	15.4	825	915.9	940.9	953.3	843.1	868.1	880.5	
1200	23.8	240	80	8.1	790	651.9	651.9	651.9	539.9	539.9	539.9	
		260	100	8.4	790	666	665.9	666.5	554	553.9	554.5	
		290	125	8.7	795	687.1	687.1	687.7	575.1	575.1	575.7	
		310	150	9.1	800	701.8	701.8	702.7	589.8	589.8	590.7	
		360	200	9.8	805	738.1	738.1	739.9	626.1	626.1	627.9	
		420	250	10.5	815	781.8	781.4	785.1	669.8	669.4	673.1	
		480	300	11.2	820	825.7	825.4	830.6	713.7	713.4	718.6	
		530	350	11.9	830	861.2	864	871.9	749.2	752	759.9	
		590	400	12.6	835	904.5	911	920.2	792.5	799	808.2	
		650	450	13.3	845	947.1	956.4	966.8	835.1	844.4	854.8	
		710	500	14	850	990.7	1005	1016	878.7	893.1	903.5	
		840	600	15.4	885	1090	1115	1128	977.8	1003	1016	
1400	26.6	340	80	8.1	870	1077	1077	1077	784.8	784.8	784.8	
		420	100	8.4	875	1148	1148	1149	855.5	855.4	856	
		450	125	8.7	880	1175	1175	1176	882.4	882.4	883	
		480	150	9.1	880	1201	1201	1202	908.4	908.4	909.4	
		540	200	9.8	890	1256	1256	1258	963.4	963.4	965.2	
		560	250	10.5	895	1275	1275	1279	982.7	982.4	986	
		650	300	11.2	905	1357	1356	1361	1064	1064	1069	
		710	350	11.9	910	1409	1412	1420	1117	1120	1128	
		770	400	12.6	920	1463	1470	1479	1171	1177	1187	
		830	450	13.3	925	1516	1525	1535	1224	1233	1243	
		880	500	14	935	1563	1577	1588	1271	1285	1295	
		1030	600	15.4	980	1708	1733	1745	1415	1440	1453	

Remark: Sizes comply with ISO2531, wall thicknesses comply with K14.

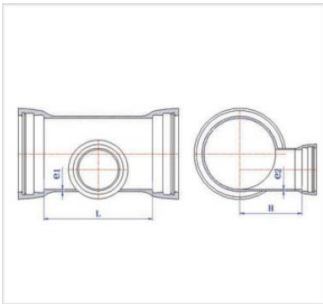
Main Tee			Branch Tee			Weight (Kg)						Remark
DN/mm	e1/mm	L/mm	DN/mm	e2/mm	H/mm	T			K			ISO2531
						PN10	PN16	PN25	PN10	PN16	PN25	
1600	29.4	580	200	9.8	1030	1769	1769	1771	1339	1339	1341	
		635	250	10.5	1040	1832	1832	1836	1402	1402	1406	
		695	300	11.2	1045	1901	1900	1906	1471	1470	1476	
		810	400	12.6	1060	2029	2036	2045	1599	1606	1615	
		925	500	14	1075	2159	2174	2184	1729	1744	1754	
		1040	600	15.4	1090	2293	2318	2330	1863	1888	1900	
1800	32.2	595	200	9.8	1150	2172	2172	2174	1723	1723	1724	
		650	250	10.5	1150	2249	2249	2253	1800	1800	1803	
		705	300	11.2	1155	2326	2326	2331	1877	1877	1882	
		820	400	12.6	1170	2486	2492	2501	2037	2043	2052	
2000	35	940	500	14	1185	2646	2661	2671	2197	2212	2222	
		1055	600	15.4	1200	2818	2843	2856	2369	2394	2406	
		600	200	9.8	1250	/	/	/	2148	2148	2150	
		660	250	10.5	1260	/	/	/	2250	2249	2253	
		720	300	11.2	1270	/	/	/	2350	2350	2355	
		835	400	12.6	1290	/	/	/	2542	2548	2558	
2200	37.8	950	500	14.0	1305	/	/	/	2726	2741	2751	
		1065	600	15.4	1310	/	/	/	2988	3015	3026	
		615	200	9.8	1360	/	/	/	2643	2643	2645	
		670	250	10.5	1370	/	/	/	2754	2753	2757	
		730	300	11.2	1380	/	/	/	2872	2872	2877	
		845	400	12.6	1395	/	/	/	3098	3105	3114	
2400	40.6	960	500	14.0	1410	/	/	/	3299	3314	3324	
		1080	600	15.4	1420	/	/	/	3647	3674	3687	
		625	200	9.8	1470	/	/	/	3395	3395	3397	
		685	250	10.5	1480	/	/	/	3535	3534	3538	
		740	300	11.2	1490	/	/	/	3662	3661	3666	
		860	400	12.6	1505	/	/	/	3937	3944	3953	
2600	43.4	980	500	14.0	1520	/	/	/	4202	4216	4226	
		1090	600	15.4	1530	/	/	/	4442	4467	4480	
		640	200	9.8	1580	/	/	/	4069	4069	4071	
		695	250	10.5	1590	/	/	/	4217	4217	4220	
		755	300	11.2	1600	/	/	/	4371	4376	4381	
		870	400	12.6	1615	/	/	/	4682	4688	4697	
2800	46.2	985	500	14.0	1630	/	/	/	4974	4988	4998	
		1100	600	15.4	1640	/	/	/	5265	5290	5303	

Remark: Sizes comply with ISO2531, wall thicknesses comply with K14.

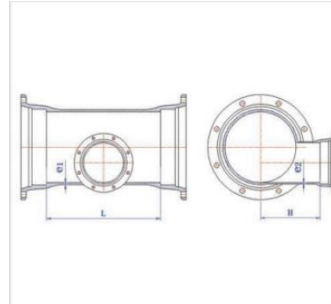
All the components can be substituted with equivalent or higher-class materials.

FITTINGS DI ref.1000B / PN 10-16-25

A II Socket Level Invert Tee



T Type



K Type

Table 28 dimensions and weight

Main Tee			Branch Tee			Weight (Kg)		Remark
DN/mm	e1/mm	L/mm	DN/mm	e2/mm	H/mm	T	K	ISO2531
100	8.4	170	80	8.1	95	14.8	21.5	
125	8.7	170	80	8.1	105	17.6	22.8	
		195	100	8.4	110	19	24.8	
150	9.1	170	80	8.1	120	21.5	29.2	
		195	100	8.4	120	23.5	31	
200	9.8	230	125	8.7	125	25.8	33.3	
		175	80	8.1	145	30	37.9	
		200	100	8.4	145	32	38.8	
250	10.5	255	150	9.1	150	37	44	
		180	80	8.1	170	40.2	43	
		200	100	8.4	170	42.8	47.9	
300	11.2	260	150	9.1	175	51.1	56.4	
		315	200	9.8	180	55.9	60.9	
		190	80	8.1	195	59.4	65.4	
		205	100	8.4	195	61.1	67.7	
350	11.9	215	125	8.7	200	65.2	71.7	
		260	150	9.1	200	67.2	77.6	
		320	200	9.8	205	75.5	82.9	
		375	250	10.5	210	84.1	92.1	
		180	80	8.1	220	63.6	74.5	
400	12.6	200	100	8.4	220	67.2	80	
		250	150	9.1	225	71.7	83.6	
		300	200	9.8	225	79.6	92.6	
		360	250	10.5	230	84.9	97.5	
		420	300	11.2	235	96.9	109	
450	13.3	190	80	8.1	240	73.1	87.1	
		210	100	8.4	245	76	90.6	
		240	125	8.7	250	80.7	95.2	
		270	150	9.1	250	84.7	99.8	
		330	200	9.8	255	94.9	109	
		380	250	10.5	260	104.6	117.9	
		440	300	11.2	270	119.8	134.7	
500	350	11.9	270	127.4	145			
500	14	190	80	8.1	270	83.1	102.5	
		210	100	8.4	270	86.4	106.4	
		240	125	8.7	270	91.6	111.5	
		270	150	9.1	280	96.5	117	
		330	200	9.8	280	107.7	127.2	
		390	250	10.5	290	120	138.7	
		445	300	11.2	290	134.8	155.1	
		500	350	11.9	300	143.6	166.6	
		560	400	12.6	300	154.7	179	

Remark: Sizes comply with ISO2531, wall thicknesses comply with K14.

Main Tee			Branch Tee			Weight (Kg)		Remark
DN/mm	e1/mm	L/mm	DN/mm	e2/mm	H/mm	T	K	ISO2531
500	14	190	80	8.1	290	100.2	116.8	
		220	100	8.4	295	105.6	122.8	
		245	125	8.7	300	110.8	127.9	
		270	150	9.1	300	115.3	133	
		330	200	9.8	310	128.1	144.8	
		390	250	10.5	310	141.1	157	
		450	300	11.2	320	158.5	176	
		510	350	11.9	320	168.2	188.4	
		560	400	12.6	330	179.8	201.3	
		620	450	13.3	335	193.3	217.5	
600	15.4	200	80	8.1	340	137.1	151.1	
		220	100	8.4	345	141.8	156.5	
		250	125	8.7	350	149.3	163.8	
		280	150	9.1	350	156	171.1	
		340	200	9.8	360	171.7	185.8	
		400	250	10.5	360	187.4	200.7	
		450	300	11.2	370	205.4	220.3	
		510	350	11.9	370	217.7	235.3	
		570	400	12.6	380	233.3	252.2	
		630	450	13.3	385	249.1	270.7	
700	16.8	690	500	14	390	268.7	288.9	
		205	80	8.1	390	203.8	196.2	
		230	100	8.4	400	211	204.1	
		260	125	8.7	400	220.1	213	
		290	150	9.1	400	228.4	221.9	
		340	200	9.8	410	244.6	237.1	
		400	250	10.5	410	263.5	255.2	
		460	300	11.2	420	286.7	280	
		520	350	11.9	420	302	298	
		580	400	12.6	430	320.5	317.8	
800	18.2	630	450	13.3	435	336.4	336.4	
		700	500	14	440	361.4	360	
		810	600	15.4	450	404.7	402	
		210	80	8.1	440	267.4	242.4	
		230	100	8.4	445	274.5	250.1	
		260	125	8.7	450	285.5	261	
		290	150	9.1	450	295.6	271.7	
		350	200	9.8	460	318.2	293.3	
		410	250	10.5	460	340.7	315	
		470	300	11.2	470	367.3	343.2	
800	18.2	520	350	11.9	470	382.7	361.3	
		580	400	12.6	480	404.6	384.5	
		640	450	13.3	485	426.5	409.1	
		700	500	14	490	451.9	433.1	
		810	600	15.4	500	500.4	480.3	

Remark: Sizes comply with ISO2531, wall thicknesses comply with K14.

All the components can be substituted with equivalent or higher-class materials.

FITTINGS DI ref.1000B / PN 10-16-25

A II Socket Level Invert Tee

Main Tee			Branch Tee			Weight (Kg)		Remark
DN/mm	e1/mm	L/mm	DN/mm	e2/mm	H/mm	T	K	ISO2531
900	19.6	220	80	8.1	490	345	308.4	
		240	100	8.4	500	353.5	317.5	
		270	125	8.7	500	366.4	330.3	
		300	150	9.1	500	378.6	343.1	
		360	200	9.8	510	405.2	368.7	
		410	250	10.5	510	427.5	390.2	
		470	300	11.2	520	458.1	422.4	
		530	350	11.9	520	480.7	447.7	
		590	400	12.6	530	506.3	474.6	
		650	450	13.3	535	531.8	502.8	
		700	500	14.0	540	556.8	526.4	
		820	600	15.4	550	615.4	583.7	
1000	21	220	80	8.1	540	423.6	383	
		250	100	8.4	550	438.4	398.4	
		275	125	8.7	550	451.1	411	
		300	150	9.1	550	463.2	423.7	
		360	200	9.8	560	494.1	453.6	
		420	250	10.5	560	524.9	483.6	
		480	300	11.2	570	559.7	520	
		540	350	11.9	570	586.5	549.5	
		590	400	12.6	580	611.5	575.8	
		650	450	13.3	585	641.1	608.1	
		710	500	14.0	590	674	639.6	
		830	600	15.4	600	740.4	704.7	
1100	22.4	230	80	8.1	590	524.1	452.7	Compliant
		250	100	8.4	600	535.8	465	
		280	125	8.7	600	553.3	482.4	
		310	150	9.1	600	570.1	499.8	
		370	200	9.8	610	605.9	534.6	
		430	250	10.5	610	641.4	569.3	
		480	300	11.2	620	675.3	604.8	
		540	350	11.9	620	706.7	638.9	
		600	400	12.6	630	741	674.5	
		660	450	13.3	635	775.1	711.3	
		720	500	14	640	812.5	747.3	
		830	600	15.4	650	881.9	815.4	
1200	23.8	235	80	8.1	640	640.9	530.3	
		260	100	8.4	650	657.5	547.5	
		290	125	8.7	650	677.6	567.5	
		320	150	9.1	650	697.1	587.6	
		370	200	9.8	660	731.4	620.9	
		430	250	10.5	660	772	660.7	
		490	300	11.2	670	816.6	706.9	
		550	350	11.9	670	853	746	
		610	400	12.6	680	892.3	786.6	
		660	450	13.3	685	924.7	821.7	
		720	500	14	690	966.9	862.5	
		840	600	15.4	700	1052	945.6	

Remark: Sizes comply with ISO2531, wall thicknesses comply with K14.

Main Tee			Branch Tee			Weight (Kg)		Remark		
DN/mm	e1/mm	L/mm	DN/mm	e2/mm	H/mm	T	K	ISO2531		
1400	26.6	250	80	8.1	740	988.8	698			
		270	100	8.4	750	1006	715.9			
		300	125	8.7	750	1032	741.7			
		330	150	9.1	750	1058	767.5			
		390	200	9.8	760	1110	818.8			
		440	250	10.5	760	1153	861.5			
		500	300	11.2	770	1209	918.9			
		560	350	11.9	770	1257	969.1			
		620	400	12.6	780	1307	1021			
		680	450	13.3	785	1357	1074			
		730	500	14	790	1402	1117			
		850	600	15.4	800	1507	1221			
1600	29.4	400	200	9.8	860	1551	1122			
		460	250	10.5	860	1616	1186			
		510	300	11.2	870	1674	1246			
		630	400	12.6	880	1797	1373			
		770	500	14	890	1946	1523			
		860	600	15.4	900	2044	1620			
		1800	32.2	410	200	9.8	960	1897	1449	
				470	250	10.5	960	1980	1531	
				530	300	11.2	970	2063	1616	
				640	400	12.6	980	2208	1765	
				760	500	14	990	2353	1911	
				870	600	15.4	1000	2526	2083	
2000	35			420	200	9.8	1060	/	1826	Compliant
				480	250	10.5	1060	/	1925	
				540	300	11.2	1070	/	2026	
				650	400	12.6	1080	/	2205	
				770	500	14	1090	/	2380	
				890	600	15.4	1100	/	2567	
		2200	37.8	430	200	9.8	1160	/	2252	
				490	250	10.5	1160	/	2369	
				550	300	11.2	1170	/	2487	
				670	400	12.6	1180	/	2717	
				780	500	14.0	1190	/	2906	
				900	600	15.4	1200	/	3126	
2400	40.6			450	200	9.8	1260	/	2959	
				500	250	10.5	1260	/	3073	
				560	300	11.2	1270	/	3210	
				680	400	12.6	1280	/	3478	
				790	500	14.0	1290	/	3700	
				910	600	15.4	1300	/	3957	
		2600	43.4	460	200	9.8	1360	/	3551	
				520	250	10.5	1360	/	3708	
				570	300	11.2	1370	/	3840	
				690	400	12.6	1380	/	4149	
				810	500	14.0	1390	/	4432	
				920	600	15.4	1400	/	4704	

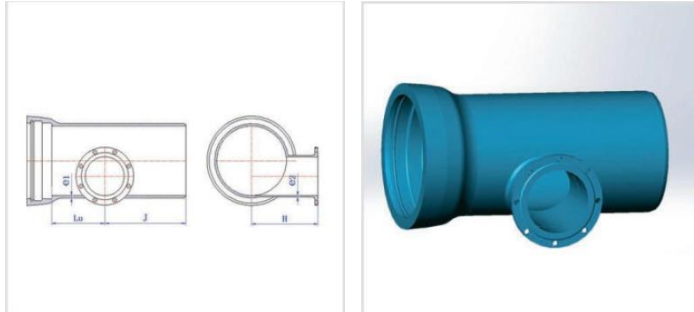
Remark: Sizes comply with ISO2531, wall thicknesses comply with K14.

All the components can be substituted with equivalent or higher-class materials.

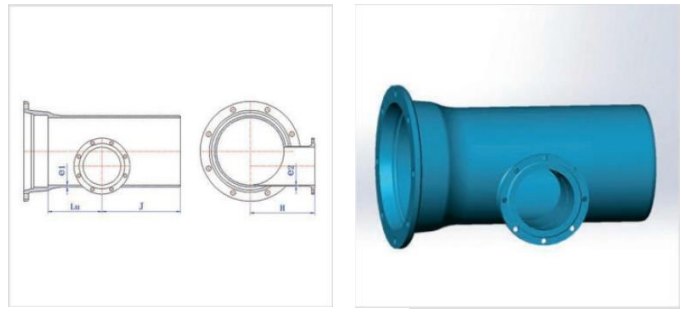
Remark: Sizes comply with ISO2531, wall thicknesses comply with K14.

FITTINGS DI ref.1000B / PN 10-16-25

Socket Spigot Level Invert Tee with Flange Branch



T Type



K Type

Table 29 dimensions and weight

Main Tee				Branch Tee			Weight (Kg)					
DN/mm	e1/mm	Lu/mm	J/mm	dn/mm	e2/mm	H/mm	PN10		PN16		PN25	
							T	K	T	K	T	K
100	8.4	85	275	80	8.1	175	16.4	18.7	16.4	18.7	16.4	18.7
							16.4	18.7	16.4	18.7	16.4	18.7
150	9.1	100	285	100	8.4	210	25.4	27.6	25.1	27.6	25.1	27.6
							25.4	27.6	25.1	27.6	25.1	27.6
200	9.8	90	275	80	8.1	235	32.5	34.5	32.5	34.5	32.5	34.5
							32.5	34.5	32.5	34.5	32.5	34.5
							34.3	36.3	34.3	36.3	34.3	36.3
							40.2	42.2	40.2	42.2	40.2	42.2
250	10.5	100	280	100	8.4	240	44.9	46.4	44.9	46.4	45.0	45.8
							44.9	46.4	44.9	46.4	45.0	45.8
							57.3	58.7	57.3	58.7	58.3	59.7
							57.9	59.1	57.9	59.1	59.7	61.1
300	11.2	90	315	80	8.1	265	58.8	61.1	58.8	61.1	58.8	61.1
							58.8	61.1	58.8	61.1	58.8	61.1
							62.1	64.4	62.0	64.3	62.6	64.9
							70.9	76.3	71.9	76.3	71.9	77.3
350	11.9	100	325	100	8.4	270	77.6	79.9	77.6	79.9	79.4	81.7
							77.6	79.9	77.6	79.9	79.4	81.7
							87.3	89.6	87.0	89.3	90.6	92.9
							87.3	89.6	87.0	89.3	90.6	92.9
400	12.6	95	345	80	8.1	325	88.3	93.7	88.3	93.7	90.5	95.5
							88.3	93.7	88.3	93.7	90.5	95.5
							106.0	110.0	106.0	110.0	106.0	110.0
							106.0	110.0	106.0	110.0	106.0	110.0
450	13.3	110	355	100	8.4	330	113.0	117.0	113.0	117.0	115.5	117.0
							113.0	117.0	113.0	117.0	115.5	117.0
							130.0	134.0	130.0	134.0	132.0	136.0
							141.0	145.0	140.0	144.0	144.0	148.0
500	14	120	360	125	8.7	345	122.0	125.0	122.0	125.0	123.0	129.0
							122.0	125.0	122.0	125.0	123.0	129.0
							144.0	148.0	144.0	148.0	151.0	155.0
							144.0	148.0	144.0	148.0	151.0	155.0

Remark: Sizes comply with ISO2531, wall thicknesses comply with K14. Please specify branch direction.

Main Tee				Branch Tee			Weight (Kg)										
DN/mm	e1/mm	Lu/mm	J/mm	dn/mm	e2/mm	H/mm	PN10		PN16		PN25						
							T	K	T	K	T	K					
600	15.4	100	355	80	8.1	460	162.7	162.0	162.7	162.0	163.0	162.0					
							166.0	164.0	166.0	164.0	167.0	165.0					
							174.5	172.5	174.5	172.5	175.5	173.5					
							183.0	181.0	183.0	181.0	184.0	182.0					
							184.0	187.8	184.0	187.8	186.0	189.6					
							190	190	190	190	190	190					
							215	475	300	11.2	500	231.0	228.0	230.0	228.0	235.0	233.0
							245	500	350	11.9	510	247.0	245.0	250.0	248.0	258.0	256.0
700	16.8	120	360	125	8.7	465	253.0	255.9	258.0	262.4	269.0	271.6					
							253.0	255.9	258.0	262.4	269.0	271.6					
							279.0	277.0	288.0	286.0	303.0	301.0					
							299.0	297.0	303.0	301.0	326.0	324.0					
							338.0	336.0	338.0	336.0	344.0	342.0					
							345	80	8.1	490	238.0	238.0	238.0	238.0	240.0	240.0	
							440	300	11.2	520	300.0	301.0	300.0	301.0	306.0	307.0	
							490	350	11.9	530	312.0	313.0	315.0	316.0	324.0	325.0	
800	18.2	145	371	125	8.7	495	329.0	329.0	333.0	334.0	344.0	345.0					
							329.0	329.0	333.0	334.0	344.0	345.0					
							369.0	370.0	378.0	379.0	391.0	392.0					
							391.0	392.0	406.0	407.0	418.0	419.0					
							421.0	422.0	445.0	445.0	456.0	457.0					
							120	355	80	8.1	550	299.0	299.0	299.0	299.0	299.0	
							130	355	100	8.4	550	304.0	295.0	304.0	295.0	305.0	
							145	371	125	8.7	555	306.0	296.5	306.0	296.5	309.5	
900	19.6	155	381	150	9.1	560	308.0	298.0	308.0	298.0	309.0	299.0					
							308.0	298.0	308.0	298.0	309.0	299.0					
							311.0	302.0	311.0	301.0	313.0	303.0					
							351.0	342.0	351.0	341.0	355.0	346.0					
							371.0	362.0	371.0	362.0	377.0	368.0					
							240	451	300	11.2	585	371.0	362.0	371.0	362.0	377.0	
							265	485	350	11.9	590	388.0	379.0	390.5	381.5	399.0	
							295	505	400	12.6	615	405.0	396.0	410.0	401.0	421.0	
500	14	120	360	125	8.7	495	351.0	351.0	351.0	351.0	351.0	351.0					
							351.0	351.0	351.0	351.0	351.0	351.0					
							378.0	379.0	378.0	379.0	385.0	386.0					
							391.3	372.3	391.3	372.3	392.2	373.2					
							416.5	397.5	416.6	397.6	418.4	399.4					
							210	545	250	10.5	645	443.7	424.7	443.4	424.4	447.0	
							240	565	300	11.2	650	467.5	448.5	467.2	448.2	463.4	
							265	600	350	11.9	660	494.1	475.1	496.9	477.9	504.8	
295	630	400	12.6	675	522.7	503.7	529.2	510.2	538.4								
320	660	450	13.3	665	545.5	526.5	554.8	535.8	565.2								
345	700	500	14	670	577.1	558.1	591.5	572.5	601.9								
410	760	600	15.4	685	645.2	623.2	667.2	648.2	679.6								

Remark: Sizes comply with ISO2531, wall thicknesses comply with K14. Please specify branch direction.

All the components can be substituted with equivalent or higher-class materials.

DAVINCI VALVES LTD, is constantly looking at all ways of improving our products and services related to the water, fire and industry sector and therefore we reserve the right to change, without prior notice, any of the data contained here. Please contact our Technical Sales Department for detailed advice. © 2018 DAVINCI VALVES LTD.
www.davincivalves.com info@davincivalves.com +34 616553797 / +86 17340168233
18 Dongyu Street, Square One 11th Floor 1101. Jinjiang District, Chengdu, Sichuan Province, China

FITTINGS DI ref.1000B / PN 10-16-25

Socket Spigot Level Invert Tee with Flange Branch

Main Tee				Branch Tee			Weight (Kg)					
DN/mm	e1/mm	Lu/mm	J/mm	dn/mm	e2/mm	H/mm	PN10		PN16		PN25	
							T	K	T	K	T	K
1000	21	120	450	80	8.1	670	434.6	413.6	434.6	413.6	434.6	413.6
		130	460	100	8.4	670	444.8	423.8	444.8	423.8	445.3	424.3
		145	475	125	8.7	675	460.2	439.2	460.2	439.2	460.8	439.8
		155	495	150	9.1	680	475.8	454.8	475.8	454.8	476.7	455.7
		180	525	200	9.8	705	505.1	484.1	505.2	484.2	507.0	486.0
		210	555	250	10.5	705	536.8	515.8	536.5	515.5	540.1	519.1
		240	575	300	11.2	710	564.2	543.2	563.9	542.9	579.1	558.1
		265	610	350	11.9	720	595.3	574.3	598.1	577.1	606.0	585.0
		295	640	400	12.6	735	628.2	607.2	634.7	613.7	643.9	622.9
		320	670	450	13.3	725	655.0	634.0	664.3	643.3	674.7	653.7
345	710	500	14	730	691.0	670.0	705.4	684.4	715.8	694.8		
410	770	600	15.4	745	766.4	745.4	791.4	770.4	803.8	782.8		
1100	22.4	120	465	80	8.1	730	528.7	492.3	528.7	492.3	528.7	492.3
		130	475	100	8.4	730	540.6	504.2	540.5	504.1	541.1	504.7
		145	490	125	8.7	735	558.4	522.0	558.4	522.0	559.0	522.6
		155	510	150	9.1	740	576.4	540.0	576.4	540.0	577.4	541.0
		180	540	200	9.8	745	609.4	573.0	609.4	573.0	611.2	574.8
		210	570	250	10.5	755	646.3	609.9	645.9	609.5	649.6	613.2
		240	590	300	11.2	760	677.5	641.1	677.2	640.8	692.4	656.0
		265	625	350	11.9	770	713.2	676.8	716.0	679.6	723.9	687.5
		295	655	400	12.6	795	754.6	718.2	761.1	724.7	770.3	733.9
		325	685	450	13.3	795	787.2	750.8	796.5	760.1	806.9	770.5
350	725	500	14	795	827.6	791.2	842.0	805.6	852.4	816.0		
410	785	600	15.4	825	913.4	877.0	938.4	902.0	950.8	914.4		
1200	23.8	120	500	80	8.1	790	649.9	593.9	649.9	593.9	649.9	593.9
		130	510	100	8.4	790	663.6	607.6	663.5	607.5	664.1	608.1
		145	525	125	8.7	795	684.0	628.0	684.0	628.0	684.6	628.6
		155	545	150	9.1	800	704.7	648.7	704.7	648.7	705.7	649.7
		180	570	200	9.8	805	739.3	683.3	739.3	683.3	741.1	685.1
		210	600	250	10.5	815	781.4	725.4	781.1	725.1	784.7	728.7
		240	630	300	11.2	820	823.5	767.5	823.2	767.2	838.4	782.4
		265	660	350	11.9	830	861.1	805.1	863.9	807.9	871.8	815.8
		295	690	400	12.6	835	902.6	846.6	909.1	853.1	918.3	862.3
		325	720	450	13.3	845	943.9	887.9	953.2	897.2	963.6	907.6
355	760	500	14	850	993.8	937.8	1009.0	952.2	1019.0	962.6		
410	820	600	15.4	885	1091.0	1035.0	1116.0	1060.0	1128.0	1072.0		
1400	26.6	170	525	80	8.1	870	979.3	833.2	979.3	833.2	979.3	833.2
		210	535	100	8.4	875	1023.0	876.2	1023.0	876.1	1023.0	876.7
		225	550	125	8.7	880	1049.0	902.4	1049.0	902.4	1050.0	903.0
		240	570	150	9.1	880	1079.0	932.8	1079.0	932.8	1080.0	933.7
		270	595	200	9.8	890	1128.0	981.0	1128.0	981.1	1129.0	982.9
		280	625	250	10.5	895	1164.0	1017.0	1163.0	1017.0	1167.0	1021.0
		325	655	300	11.2	905	1230.0	1084.0	1229.0	1083.0	1245.0	1099.0
		355	685	350	11.9	910	1281.0	1135.0	1284.0	1138.0	1292.0	1146.0
		385	715	400	12.6	920	1334.0	1188.0	1340.0	1194.0	1349.0	1203.0
		415	745	450	13.3	925	1385.0	1239.0	1394.0	1248.0	1405.0	1259.0
440	785	500	14	935	1444.0	1298.0	1458.0	1312.0	1469.0	1325.0		
500	845	600	15.4	980	1573.0	1426.0	1598.0	1451.0	1610.0	1464.0		

Remark: Sizes comply with ISO2531, wall thicknesses comply with K14. Please specify branch direction.

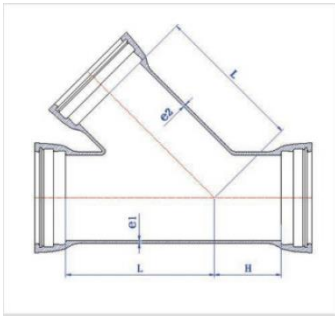
Main Tee				Branch Tee			Weight (Kg)					
DN/mm	e1/mm	Lu/mm	J/mm	dn/mm	e2/mm	H/mm	PN10		PN16		PN25	
							T	K	T	K	T	K
1600	29.4	290	730	200	9.8	1030	1658.0	1443.0	1658.0	1443.0	1660.0	1445.0
		320	760	250	10.5	1040	1725.0	1510.0	1724.0	1509.0	1728.0	1513.0
		345	790	300	11.2	1045	1786.0	1571.0	1785.0	1570.0	1801.0	1586.0
		405	860	400	12.6	1060	1927.0	1712.0	1934.0	1719.0	1943.0	1728.0
		465	895	500	14	1080	2066.0	1846.0	2080.0	1860.0	2091.0	1871.0
		520	915	600	15.4	1090	2121.0	1906.0	2146.0	1931.0	2158.0	1943.0
1800	32.2	300	730	200	9.8	1150	2040.0	1816.0	2041.0	1816.0	2042.0	1818.0
		320	760	250	10.5	1150	2110.0	1885.0	2109.0	1885.0	2113.0	1888.0
		350	790	300	11.2	1155	2191.0	1967.0	2191.0	1966.0	2206.0	1982.0
		410	860	400	12.6	1170	2367.0	2143.0	2374.0	2149.0	2383.0	2158.0
		470	915	500	14	1185	2516.0	2291.0	2530.0	2306.0	2541.0	2316.0
		525	970	600	15.4	1200	2675.0	2450.0	2700.0	2475.0	2712.0	2487.0
2000	35	300	730	200	9.8	1250	/	2230.0	/	2230.0	/	2232.0
		330	760	250	10.5	1260	/	2320.0	/	2320.0	/	2324.0
		360	790	300	11.2	1265	/	2428.0	/	2428.0	/	2433.0
		415	860	400	12.6	1280	/	2621.0	/	2628.0	/	2637.0
		475	915	500	14	1295	/	2799.0	/	2814.0	/	2824.0
		530	970	600	15.4	1310	/	2966.0	/	2991.0	/	3004.0
2200	37.8	310	730	200	9.8	1360	/	2687.0	/	2687.0	/	2689.0
		335	760	250	10.5	1370	/	2795.0	/	2795.0	/	2798.0
		365	790	300	11.2	1380	/	2910.0	/	2910.0	/	2925.0
		420	860	400	12.6	1395	/	3151.0	/	3157.0	/	3166.0
		480	915	500	14	1410	/	3361.0	/	3375.0	/	3386.0
		540	970	600	15.4	1420	/	3569.0	/	3592.0	/	3605.0
2400	40.6	310	730	200	9.8	1470	/	3285.0	/	3285.0	/	3287.0
		340	760	250	10.5	1480	/	3422.0	/	3421.0	/	3425.0
		370	790	300	11.2	1490	/	3556.0	/	3556.0	/	3571.0
		430	860	400	12.6	1505	/	3848.0	/	3854.0	/	3863.0
		490	915	500	14	1520	/	4093.0	/	4107.0	/	4118.0
		545	970	600	15.4	1530	/	4324.0	/	4349.0	/	4361.0
2600	43.4	320	730	200	9.8	1580	/	3878.0	/	3878.0	/	3880.0
		350	760	250	10.5	1590	/	4036.0	/	4035.0	/	4039.0
		380	790	300	11.2	1600	/	4191.0	/	4191.0	/	4206.0
		435	860	400	12.6	1615	/	4514.0	/	4521.0	/	4530.0
		495	915	500	14	1630	/	4797.0	/	4812.0	/	4822.0
		550	970	600	15.4	1640	/	5065.0	/	5090.0	/	5102.0

Remark: Sizes comply with ISO2531, wall thicknesses comply with K14. Please specify branch direction.

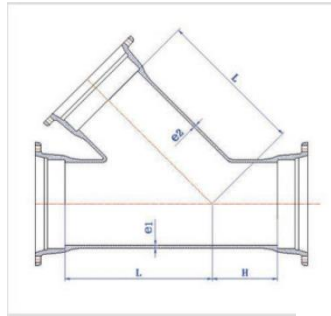
All the components can be substituted with equivalent or higher-class materials.

FITTINGS DI ref.1000B / PN 10-16-25

A II Socket 45° Lateral Tee



T Type



K Type

Table 30 dimensions and weight

DN/mm	dn/mm	Sizes				Weight (Kg)	
		e1/mm	e2/mm	L/mm	H/mm	T	K
80	80	8.1	8.1	240	85	21.4	21.4
100	80	8.4	8.1	265	85	25	25
	100		8.4	265	95	26.8	26.8
125	80	8.7	8.1	295	85	30.7	30.7
	100		8.4	300	100	33.3	33.3
	125		8.7	300	115	35.9	35.9
150	80	9.1	8.1	325	85	37.1	37.1
	100		8.4	330	100	39.4	39.4
	125		8.7	330	115	42.2	42.2
200	150	9.8	9.1	335	125	46	46
	80		8.1	385	90	52.7	52.3
	100		8.4	390	100	55.3	54.9
	125		8.7	390	115	58.4	58.2
	150		9.1	395	130	62.8	62.4
250	200	10.5	9.8	400	160	71.5	70.9
	80		8.1	445	90	72.5	71.7
	100		8.4	450	100	75.4	74.6
	125		8.7	450	115	78.3	78
	150		9.1	455	130	83.8	83
	200		9.8	460	160	93.7	92.7
300	250	11.2	10.5	465	190	104	103
	80		8.1	505	90	96.3	96
	100		8.4	510	100	99.6	98.8
	125		8.7	510	115	101.2	107.7
	150		9.1	515	130	109	108
	200		9.8	520	160	120	119
	250		10.5	525	190	132	131
350	300	11.9	11.2	530	220	145	144
	100		8.4	570	105	126	139
	125		8.7	570	120	130	142
	150		9.1	575	135	136	149
	200		9.8	580	160	146	159
	250		10.5	585	190	158	170
	300		11.2	590	220	171	187
	350		11.9	595	250	186	201

Remark: Sizes comply with ISO2531, wall thicknesses comply with K14.

DN/mm	dn/mm	Sizes				Weight (Kg)	
		e1/mm	e2/mm	L/mm	H/mm	T	K
400	100	12.6	8.4	630	105	159	172
	125		8.7	630	120	164.5	177.5
	150		9.1	635	135	170	183
	200		9.8	640	165	182	195
	250		10.5	645	190	195	206
	300		11.2	650	220	209	225
	350		11.9	660	250	225	241
450	400	13.3	12.6	665	280	242	258
	100		8.4	690	105	198	208
	125		8.7	690	120	204	214.5
	150		9.1	695	135	210	221
	200		9.8	700	165	223	233
	250		10.5	705	195	237	247
	300		11.2	710	225	253.5	265
500	350	14	11.9	720	250	270	283
	400		12.6	725	280	288	301
	450		13.3	730	310	307	320
	100		8.4	750	110	243	251
	125		8.7	750	125	249.5	257.5
	150		9.1	755	140	256	264
	200		9.8	760	145	269	277
	250		10.5	770	195	286	293
600	300	15.4	11.2	775	225	303	314
	350		11.9	780	255	321	332
	400		12.6	785	280	340	351
	450		13.3	790	310	361	371
	500		14	795	340	383	392
	100		8.4	870	110	347	346
	125		8.7	875	125	355.5	354.5
600	150	15.4	9.1	880	140	364	363
	200		9.8	885	170	381	379
	250		10.5	890	200	399	397
	300		11.2	895	225	418	419
	350		11.9	900	255	439	440
	400		12.6	905	285	461	463
	450		13.3	910	315	485	486
	500		14	915	345	511	510
600	15.4	930	400	567	562		

Remark: Sizes comply with ISO2531, wall thicknesses comply with K14.

All the components can be substituted with equivalent or higher-class materials.

FITTINGS DI ref.1000B / PN 10-16-25

A II Flange 45° Lateral Tee

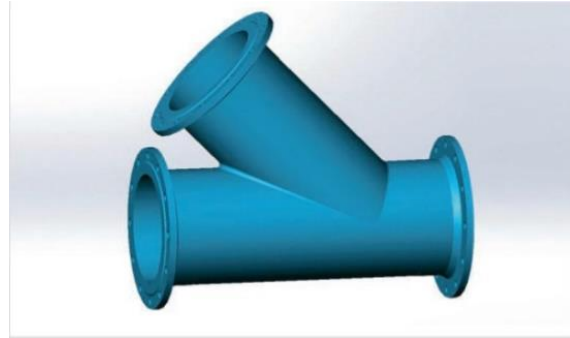
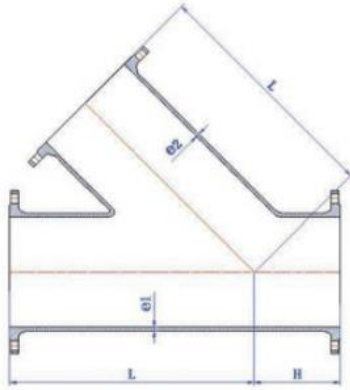


Table 31 dimensions and weight

DN/mm	dn/mm	Sizes				Weight (Kg)		
		e1/mm	e2/mm	L/mm	H/mm	PN10	PN16	PN25
80	80	8.1	8.1	390	85	21.4	21.4	21.4
	100	8.4	8.1	415	85	25	25	26
100	8.4		415	95	26.8	26.8	28.3	
125	80	8.7	8.1	445	85	29.6	29.6	30.8
	100		8.4	445	95	31.7	31.6	33.4
125	125	8.7	8.7	450	110	34.9	34.9	36.7
150	80	9.1	8.1	475	85	37.1	37.1	39.1
	100		8.4	480	100	39.4	39.4	41.9
	125		8.7	480	115	42.7	42.7	45.5
150	150	9.1	9.1	485	125	46	46	49
200	80	9.8	8.1	535	90	52.7	52.3	56.5
	100		8.4	540	100	55.3	54.9	59.6
	125		8.7	540	115	59	58.7	63.6
	150		9.1	545	130	62.8	62.4	67.6
	200		9.8	550	160	71.5	70.9	77.2
250	80	10.5	8.1	595	90	72.5	71.7	79.5
	100		8.4	600	100	75.4	74.6	82.9
	125		8.7	600	115	79.6	78.8	87.4
	150		9.1	605	130	83.8	83	91.8
	200		9.8	610	160	93.7	92.7	103
250	10.5	615	190	104	103	115		
300	80	11.2	8.1	655	90	96.3	96	107
	100		8.4	660	100	99.6	98.8	111
	125		8.7	660	115	104.3	103.4	115.5
	150		9.1	665	130	109	108	120
	200		9.8	670	160	120	119	132
	250		10.5	675	190	132	131	146
300	11.2	680	220	145	144	161		
350	100	11.9	8.4	720	105	123	130	147
	125		8.7	720	120	128.5	135	152.5
	150		9.1	725	135	134	140	158
	200		9.8	730	160	145	151	170
	250		10.5	735	190	158	164	184
	300		11.2	740	220	173	178	201
	350		11.9	745	250	186	195	220

Remark: Sizes comply with ISO2531, wall thicknesses comply with K14.

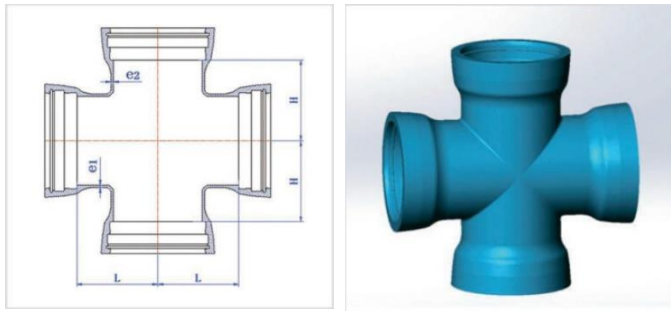
DN/mm	dn/mm	Sizes				Weight (Kg)		
		e1/mm	e2/mm	L/mm	H/mm	PN10	PN16	PN25
400	100	12.6	8.4	780	105	153	164	187
	125		8.7	780	120	158.5	169.5	193
	150		9.1	785	135	164	175	199
	200		9.8	790	165	177	188	213
	250		10.5	795	190	191	202	228
	300		11.2	800	220	206	217	245
	350		11.9	810	250	221	236	267
	400		12.6	815	280	238	255	288
450	100	13.3	8.4	840	105	185	202	233
	125		8.7	840	125	191	208	239.5
	150		9.1	845	135	197	214	246
	200		9.8	850	165	211	228	262
	250		10.5	855	195	226	244	278
	300		11.2	865	225	244	261	298
	350		11.9	870	250	259	280	319
	400		12.6	875	280	277	300	342
450	13.3	880	310	295	321	367		
500	100	14	8.4	900	110	227	257	281
	125		8.7	910	125	233.5	264	288
	150		9.1	915	140	240	271	295
	200		9.8	915	165	255	285	311
	250		10.5	920	195	272	302	330
	300		11.2	925	225	291	321	350
	350		11.9	930	245	308	341	373
	400		12.6	935	280	326	362	397
450	13.3	940	310	345	384	423		
500	14.0	945	340	369	414	449		
600	100	15.4	8.4	1020	110	324	377	406
	125		8.7	1025	130	332.5	385.5	415
	150		9.1	1030	140	341	394	424
	200		9.8	1035	170	359	412	442
	250		10.5	1040	200	378	431	463
	300		11.2	1045	225	398	451	485
	350		11.9	1050	255	418	474	511
	400		12.6	1055	285	440	499	539
	450		13.3	1060	315	463	524	568
	500		14.0	1065	345	489	557	597
600	15.4	1080	400	545	625	667		

Remark: Sizes comply with ISO2531, wall thicknesses comply with K14.

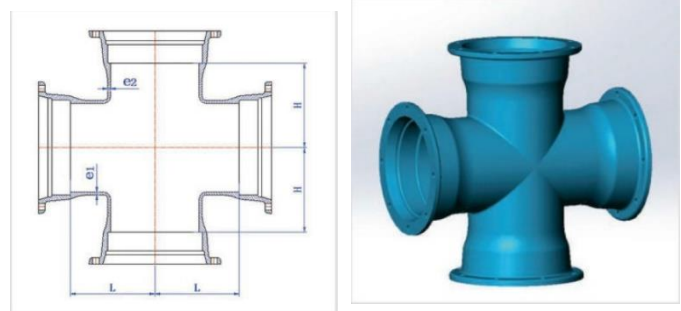
All the components can be substituted with equivalent or higher-class materials.

FITTINGS DI ref.1000B / PN 10-16-25

A II Socket Cross



T Type



K Type

Table 32 dimensions and weight

Main Tee			Branch Tee			Weight (Kg)	
DN/mm	e1/mm	L/mm	dn/mm	e2/mm	H/mm	T	K
80	8.1	85	80	8.1	85	15.4	21
		85	80	8.1	95	17.2	24.1
100	8.4	95	100	8.4	95	19.8	29.3
		85	80	8.1	105	21.1	27.7
125	8.7	95	100	8.4	110	23	30.8
		110	125	8.7	110	26.8	34.4
150	9.1	85	80	8.1	120	22.6	30.4
		100	100	8.4	120	26.6	36.4
		115	125	8.7	120	29.9	38.7
200	9.8	130	150	9.1	125	33.6	43.8
		90	80	8.1	145	31.9	37.7
		100	100	8.4	145	34.4	43.4
		115	125	8.7	145	39.4	46.2
250	10.5	130	150	9.1	150	41.7	51.2
		160	200	9.8	155	51.8	59.7
		90	80	8.1	170	44	48.2
		100	100	8.4	170	46.4	52.4
		115	125	8.7	175	51	56.2
300	11.2	130	150	9.1	175	57.9	65.8
		160	200	9.8	180	64.2	71.4
		190	250	10.5	190	77	80.7
		95	80	8.1	195	62.5	69.9
		105	100	8.4	195	65.2	73.9
		120	125	8.7	200	70.2	78.6
350	11.9	130	150	9.1	200	73	82.6
		160	200	9.8	205	84.6	92.2
		190	250	10.5	210	97.9	103.9
		220	300	11.2	220	120.2	129.4
		95	80	8.1	220	67.1	79.9
		105	100	8.4	220	70.1	84.2
		130	150	9.1	225	78.7	93.7
		150	200	9.8	230	89.2	102.2
400	12.6	180	250	10.5	235	103.1	114.5
		210	300	11.2	240	125	139.6
		250	350	11.9	250	136.7	156.7
		95	80	8.1	240	76	91.4
		105	100	8.4	245	79.6	96.2
		120	125	8.7	250	85.6	102
450	13.3	135	150	9.1	250	90.1	107.7
		165	200	9.8	255	103.5	119.1
		190	250	10.5	260	117	131
		220	300	11.2	270	140.4	157.6
		250	350	11.9	270	148.7	171.3
		280	400	12.6	280	164.5	189.7
		95	80	8.1	270	86.2	107
		105	100	8.4	270	89.9	112
		120	125	8.7	270	96.2	118
		135	150	9.1	280	101.9	124.9
500	14	165	200	9.8	280	116	137
		195	250	10.5	290	132.3	151.7
		220	300	11.2	290	153.7	176.3
		250	350	11.9	300	164.4	192.4
		280	400	12.6	300	178.4	209
		310	450	13.3	310	196.8	232.8
		95	80	8.1	290	103.1	121.1
		110	100	8.4	295	109	128.3
		120	125	8.7	300	114.7	133.7
		135	150	9.1	300	120.4	140.6
550	14.7	165	200	9.8	310	136.4	154.6
		195	250	10.5	310	152.7	169.3
		225	300	11.2	320	177.8	197.6
		255	350	11.9	320	187.7	212.9
		280	400	12.6	330	202.8	230.6
		310	450	13.3	335	220.2	253.4
		340	500	14	340	246.1	276.5
		100	80	8.1	340	139.9	155.3
		110	100	8.4	345	145.2	161.8
		125	125	8.7	350	153.8	170.2
600	15.4	140	150	9.1	350	160.9	178.5
		170	200	9.8	360	179.5	195.1
		200	250	10.5	360	198.3	212.3
		225	300	11.2	370	223.7	240.9
		255	350	11.9	370	235.6	258.2
		285	400	12.6	380	254.1	279.3
		315	450	13.3	385	273	303.6
		345	500	14	390	299.7	327.5
		400	600	15.4	400	355.4	380.6

Remark: Sizes comply with ISO2531, wall thicknesses comply with K14.

Remark: Sizes comply with ISO2531, wall thicknesses comply with K14.

All the components can be substituted with equivalent or higher-class materials.

DAVINCI VALVES LTD, is constantly looking at all ways of improving our products and services related to the water, fire and industry sector and therefore we reserve the right to change, without prior notice, any of the data contained here. Please contact our Technical Sales Department for detailed advice. © 2018 DAVINCI VALVES LTD.
www.davincivalves.com info@davincivalves.com +34 616553797 / +86 17340168233
 18 Dongyu Street, Square One 11th Floor 1101. Jinjiang District, Chengdu, Sichuan Province, China

FITTINGS DI ref.1000B / PN 10-16-25

A II Flange Cross

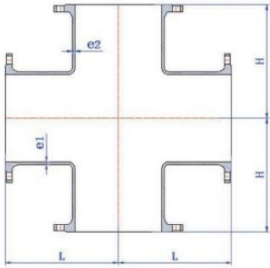


Table 33 dimensions and weight

DN/mm	Main Flange		dn/mm	Main Flange		Weight (Kg)		
	e1/mm	L/mm		e2/mm	H/mm	PN10	PN16	PN25
80	8.1	165	80	8.1	165	20.1	20.1	20.1
100	8.4	180	80	8.1	175	23	23	24.2
		180	100	8.4	180	25	25	27.2
125	8.7	200	80	8.1	190	27.1	27.1	28.3
		200	100	8.4	190	29.1	29	31.3
		200	125	8.7	200	32	32	34.4
150	9.1	220	80	8.1	205	33.1	33.1	36.1
		220	100	8.4	210	35.1	35.1	38.1
		220	125	8.7	215	37.5	37.5	40.6
		220	150	9.1	220	41.1	41.1	46.1
200	9.8	260	80	8.1	235	46.5	46	50.7
		260	100	8.4	240	48.5	47.9	53.7
		260	125	8.7	240	50.4	50.4	55.2
		260	150	9.1	250	54.5	54.1	60.7
		260	200	9.8	260	61.7	61.9	70.7
250	10.5	350	80	8.1	265	70.4	69.7	77
		350	100	8.4	275	73	72	81
		350	125	8.7	290	75.8	75.1	83.6
		350	150	9.1	300	79.7	79	88.2
		350	200	9.8	325	88.9	88.3	99.2
300	11.2	400	80	8.1	290	95.9	95.3	105.7
		400	100	8.4	300	98	97.3	108.8
		400	125	8.7	310	100.9	100.3	111.9
		400	150	9.1	325	104.9	104.3	116.6
		400	200	9.8	350	113.8	113.3	127.3
		400	250	10.5	375	126.7	125.4	143.1
		400	300	11.2	400	142.8	141.6	162.4
		425	80	8.1	325	118.3	123.9	139.7
350	11.9	425	100	8.4	325	120	125.5	142.4
		425	125	8.7	325	122.3	127.9	144.9
		425	150	9.1	325	125.1	130.7	148.4
		425	200	9.8	325	130.7	136.4	155.8
		425	250	10.5	325	138.6	143.4	166.6
		425	300	11.2	425	163.2	168.2	194.4
		425	350	11.9	425	173.4	184.6	216.2

Remark: Sizes comply with ISO2531, wall thicknesses comply with K14.

DN/mm	Main Flange		dn/mm	Main Flange		Weight (Kg)		
	e1/mm	L/mm		e2/mm	H/mm	PN10	PN16	PN25
400	12.6	450	80	8.1	350	145.4	158.4	176.8
		450	100	8.4	350	147	160	179.4
		450	125	8.7	350	149.3	162.3	181.9
		450	150	9.1	350	152	165	185.3
		450	200	9.8	350	157.4	170.4	192.4
		450	250	10.5	350	164.9	177.2	202.9
		450	300	11.2	450	188.9	201.3	230.1
		450	350	11.9	450	198.3	216.9	251.1
		450	400	12.6	450	211.1	237.1	273.9
		450	13.3	475	80	8.1	375	174.1
475	100			8.4	375	175.7	194.3	216.1
475	125			8.7	375	177.9	196.5	218.5
475	150			9.1	375	180.6	199.2	221.9
475	200			9.8	375	185.7	204.4	228.8
475	250			10.5	375	192.9	210.8	238.9
475	300			11.2	475	216.5	234.5	265.7
475	350			11.9	475	225.3	249.5	286.1
475	400			12.6	475	237.1	268.7	307.9
475	450			13.3	475	248.7	285.9	327.5
500	14	500	80	8.1	400	211.8	240.6	261.4
		500	100	8.4	400	213.4	242.2	264
		500	125	8.7	400	215.5	244.3	266.3
		500	150	9.1	400	218.1	246.9	269.6
		500	200	9.8	400	223	251.9	276.3
		500	250	10.5	400	229.9	258	286.1
		500	300	11.2	500	253.1	281.3	312.5
		500	350	11.9	500	261.3	295.7	332.3
		500	400	12.6	500	272.3	314.1	353.3
		500	450	13.3	500	282.8	330.2	371.8
550	15.4	550	80	8.1	450	300.3	350.3	375.1
		550	100	8.4	450	301.8	351.8	377.6
		550	125	8.7	450	303.8	353.8	379.8
		550	150	9.1	450	306.2	356.2	382.9
		550	200	9.8	450	310.8	360.8	389.2
		550	250	10.5	450	317.1	366.4	398.5
		550	300	11.2	550	339.6	389	424.2
		550	350	11.9	550	346.8	402.4	443
		550	400	12.6	550	356.7	419.7	462.9
		550	450	13.3	550	365.5	434.1	479.7
550	500	14	550	380.5	459.3	504.9		
550	600	15.4	550	416.6	521	579		

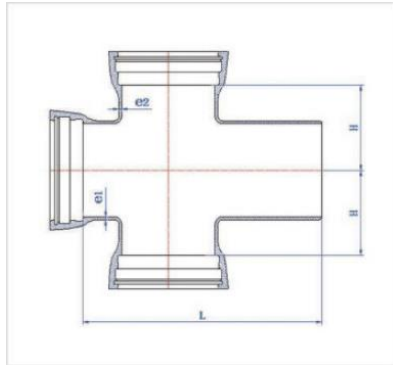
Remark: Sizes comply with ISO2531, wall thicknesses comply with K14.

All the components can be substituted with equivalent or higher-class materials.

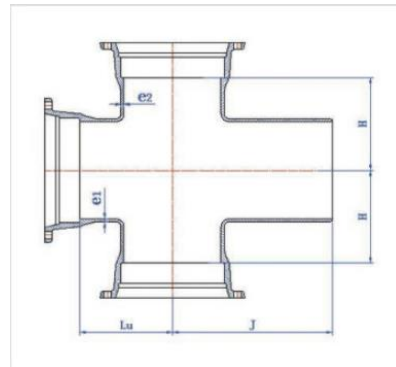
FITTINGS DI ref.1000B / PN 10-16-25

Socket Spigot and Double Socket Cross

Table 34 dimensions and weight



T Type



K Type



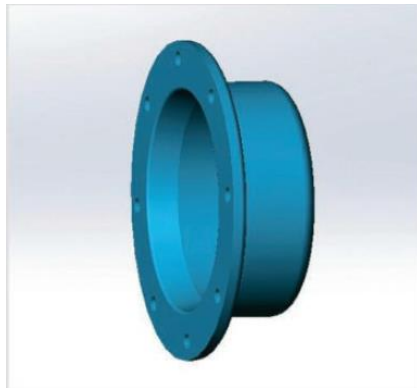
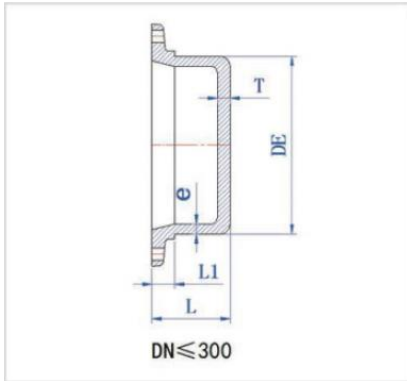
DN/mm	e1/mm	Lu/mm	J/mm	dn/mm	e2/mm	H/mm	Weight	
							T	K
80	8.1	85	260	80	8.1	85	16.1	20.3
100	8.4	85	270	80	8.1	95	18.7	23.5
		95	275	100	8.4	95	20.1	26.2
150	9.1	85	280	80	8.1	120	24.8	30.1
		100	280	100	8.4	120	26.9	33.4
		130	310	150	9.1	125	33.4	40.9
200	9.8	90	280	80	8.1	145	33.5	37.4
		100	280	100	8.4	145	35.4	40.1
		130	310	150	9.1	150	42.5	49.2
		160	340	200	9.8	155	52.9	57.4
250	10.5	90	280	80	8.1	170	43.5	46.6
		100	280	100	8.4	170	45.3	49.1
		130	310	150	9.1	175	53.1	58.9
		160	340	200	9.8	180	63.9	67.8
		190	370	250	10.5	190	77.2	79.3
300	11.2	105	285	100	8.4	195	60.3	65.7
		130	310	150	9.1	200	68.1	75.5
		160	340	200	9.8	205	79.6	85.1
		190	370	250	10.5	210	92.8	96.5
		220	400	300	11.2	220	114.1	121
400	12.6	105	290	100	8.4	245	79.9	89.4
		135	315	150	9.1	250	89.4	100.8
		165	345	200	9.8	255	102.7	112.2
		190	375	250	10.5	260	117.4	125.1
		220	400	300	11.2	270	138.7	149.6
		280	460	400	12.6	280	163	181.9
500	14	110	310	100	8.4	290	110.8	121.6
		135	335	150	9.1	295	122.3	135
		165	365	200	9.8	300	138.4	149.2
		195	395	250	10.5	315	154.7	163.7
		225	425	300	11.2	320	180.3	192.5
		280	485	400	12.6	330	206.1	226.3
		340	540	500	14	340	246.9	269.7
600	15.4	110	315	100	8.4	350	146.3	155.8
		140	340	150	9.1	355	160.1	171.5
		170	370	200	9.8	360	178.9	188.4
		200	400	250	10.5	365	197.8	205.5
		225	430	300	11.2	370	226.4	237.3
		285	485	400	12.6	380	254.6	273.5
		345	545	500	14	390	299.7	321.2
		400	600	600	15.4	400	362	369.9

Remark: Sizes comply with ISO2531, wall thicknesses comply with K14.

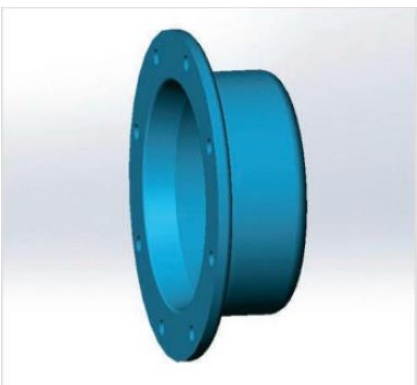
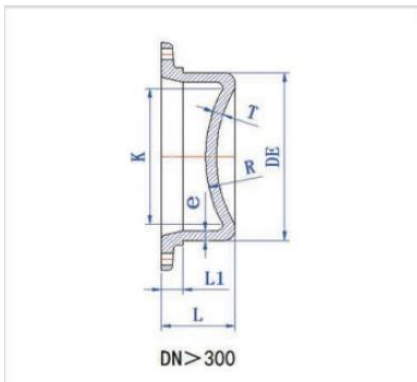
All the components can be substituted with equivalent or higher-class materials.

FITTINGS DI ref.1000B / PN 10-16-25

K Type Plug



T Type



K Type

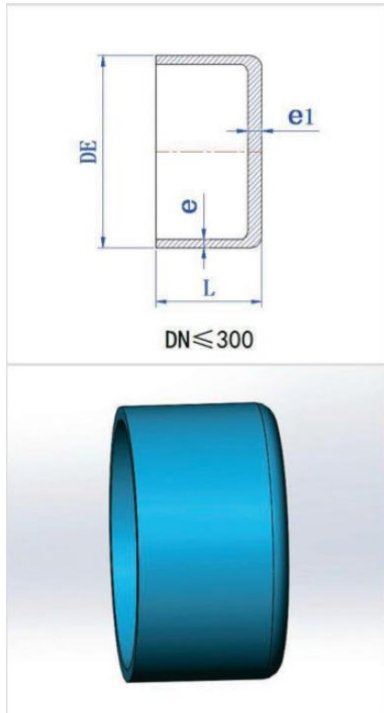
Table 35 dimensions and weight

DN	e	DE	L	L1	K	R	T	Weight (Kg)	Remark
80	7	98	86	34	-	-	10	4.5	
100	7.2	118	87	35	-	-	10	5.7	
150	7.8	170	88	36	-	-	10	8.8	
200	8.4	222	89	37	-	-	12	13	
250	9	274	90	38	-	-	12	17.6	
300	9.6	326	95	39	-	-	15	25.2	
350	10.2	378	96	40	315	345	15	32.7	
400	10.8	429	100	41	370	390	18	42.9	
450	11.4	480	105	43	420	445	18	52.5	
500	12	532	105	43	430	500	20	63.6	
600	13.2	635	110	44	565	596	20	87.7	
700	14.4	738	125	45	660	688	25	166	
800	15.6	842	130	47	760	1040	25	250	Compliant with GB /T13295
900	16.8	945	130	48	860	1210	28	333	
1000	18	1048	135	49	960	1450	30	434	
1100	19.2	1152	136	50	980	1610	30	553	
1200	20.4	1255	137	51	1160	1865	30	671	
1400	22.8	1462	140	53	1360	2500	35	710	
1500	24	1565	140	54	1460	2652	35	747.2	
1600	25.2	1668	160	55	1550	2850	35	816	
1800	27.6	1875	165	57	1760	3210	40	1123	
2000	30	2082	170	59	1780	3690	40	1515	
2200	32.4	2288	175	62	2150	4450	45	1808	
2400	34.8	2495	180	65	2350	4825	50	2340	
2600	37.2	2702	185	68	2540	4950	50	2870	

All the components can be substituted with equivalent or higher-class materials.

FITTINGS DI ref.1000B / PN 10-16-25

T Type Plug

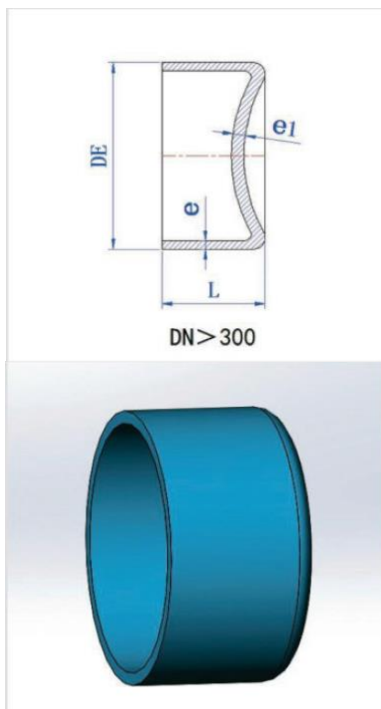


T Type

Table 36 dimensions and weight

DN	DE	e1	e	L	Weight (Kg)	Remark
40	56	16	7	190	1.6	
50	66	16	7	190	2	
60	77	16	7	190	2.4	
65	82	16	7	190	2.6	
80	98	16	7	190	3.3	
100	118	18	7.2	200	4.6	
125	144	18	7.5	212	7	
150	170	18	7.8	225	9.5	
200	222	18	7.2	250	14.8	
250	274	19.5	9	250	21.5	
300	326	23	9.6	275	33.5	
350	378	24	10.2	275	45.5	
400	429	25	10.8	275	56	
450	480	26	11.4	275	68.5	
500	532	27	12	275	81	
600	635	29.5	13.2	300	123	
700	738	30	14.4	320	170	
800	842	30	15.6	330	220	
900	945	30	16.8	350	298	
1000	1048	35	18	360	400	
1100	1152	35	19.2	380	520	
1200	1255	35	20.4	390	600	
1400	1462	40	22.8	410	850	
1500	1565	40	24	420	976	
1600	1668	40	25.2	450	1133	
1800	1875	45	27.6	480	1564	

Compliant with GB /T13295



K Type

All the components can be substituted with equivalent or higher-class materials.

FITTINGS DI ref.1000B / PN 10-16-25

Flange Bell Mouth

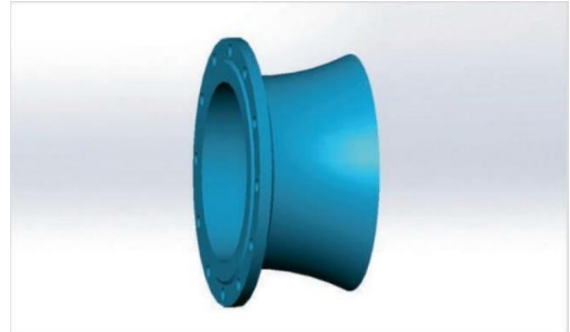
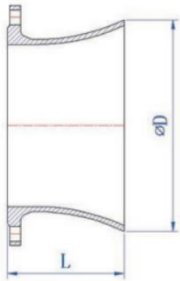


Table 39 dimensions and weight

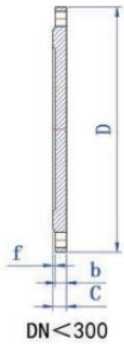
DN/mm	L/mm	D/mm	Weight (Kg)		
			PN10	PN16	PN25
80	130	150	5.2	5.2	5.2
100	135	175	6.2	6.2	6.7
150	150	230	10.1	10.1	11.1
200	170	290	15.0	14.8	16.8
250	185	345	21.0	20.5	24.5
300	205	405	28.5	28.5	33.5
350	220	460	35.5	38.0	46.0
400	240	520	45.0	49.5	60.5
450	255	575	54.0	62.0	73.0
500	275	635	67.0	80.0	91.0
600	310	750	96.5	120.0	132.0
700	345	865	135	146.0	178.5
800	380	980	182	197.0	243.0
900	415	1095	231	250.0	306.0
1000	450	1210	297	331.0	403.6
1200	520	1440	457	512.0	602.7
1400	590	1670	646	702.0	841.7
1600	660	1900	906	995.0	1156
1800	730	2130	1185	1297	1514
2000	800	2360	1530	1668	1990

Compliant with the standard.

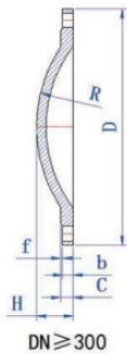
All the components can be substituted with equivalent or higher-class materials.

FITTINGS DI ref.1000B / PN 10-16-25

B lind/Blank Flange PN10



T Type



K Type



Table 40 (1) dimensions and weight

DN/mm	D/mm	C/mm	b/mm	f/mm	H/mm	R/mm	Weight (Kg)
40	150	19	16	3	/	/	2
50	165	19	16	3	/	/	2.4
60	175	19	16	3	/	/	2.7
65	185	19	16	3	/	/	3.1
80	200	19	16	3	/	/	3.5
100	220	19	16	3	/	/	4.3
125	250	19	16	3	/	/	5.6
150	285	19	16	3	/	/	7.2
200	340	20	17	3	/	/	11
250	400	22	19	3	/	/	16.9
300	455	24.5	20.5	4	/	/	24
350	505	24.5	20.5	4	69	325	30.7
400	565	24.5	20.5	4	76	375	38.1
450	615	25.5	21.5	4	84	425	47.1
500	670	26.5	22.5	4	92	475	58.7
600	780	30	25	5	108	575	88.9
700	895	32.5	27.5	5	124	675	128.7
800	1015	35	30	5	140	775	180.1
900	1115	37.5	32.5	5	160	875	235.1
1000	1230	40	35	5	170	975	307.8
1100	1340	42.5	37.5	5	185	1075	391.1
1200	1455	45	40	5	200	1175	575
1400	1675	46	41	5	230	1375	739
1500	1786	47.5	42.5	5	245	1475	990
1600	1915	49	44	5	260	1575	1239
1800	2115	52	47	5	290	1775	1717
2000	2325	55	50	5	320	1975	2253
2200	2550	59	53	5	350	2175	2372

Remark: Comply with ISO2531.

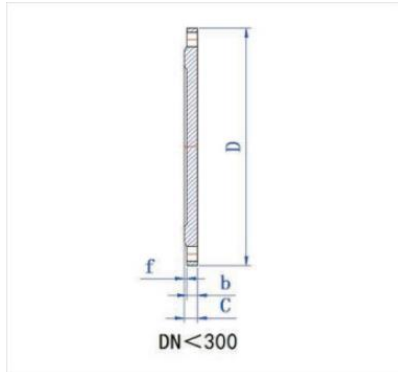
When DN goes ≥ 300, The Blind's center shape becomes tray.

All the components can be substituted with equivalent or higher-class materials.

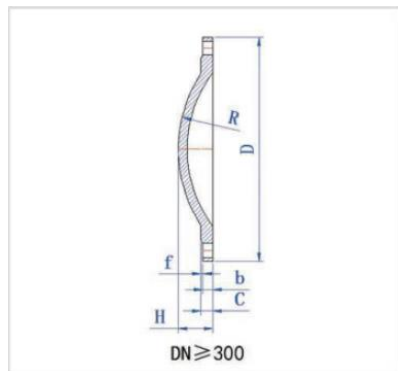
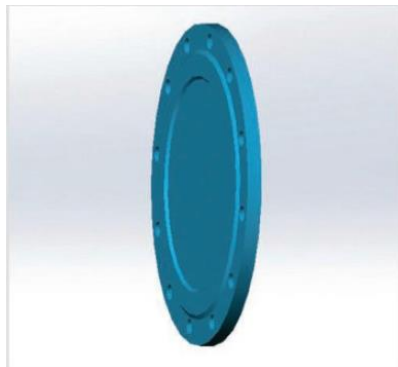
FITTINGS DI ref.1000B / PN 10-16-25

B lind/Blank Flange PN16

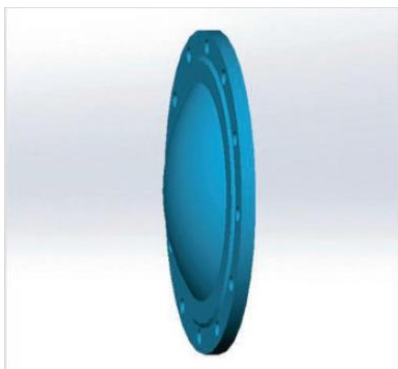
Table 40 (2) dimensions and weight



T Type



K Type



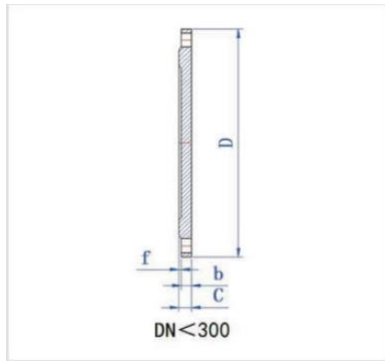
DN/mm	D/mm	C/mm	b/mm	f/mm	H/mm	R/mm	Weight (Kg)
40	150	19	16	3	/	/	2
50	165	19	16	3	/	/	2.4
60	175	19	16	3	/	/	2.7
65	185	19	16	3	/	/	3.1
80	200	19	16	3	/	/	3.5
100	220	19	16	3	/	/	4.3
125	250	19	16	3	/	/	5.6
150	285	19	16	3	/	/	7.2
200	340	20	17	3	/	/	10.8
250	400	22	19	3	/	/	16.6
300	455	24.5	20.5	4	/	/	23.5
350	520	26.5	22.5	4	71	325	35
400	580	28	24	4	80	375	48.2
450	640	30	26	4	88	425	60.9
500	715	31.5	27.5	4	97	475	80.3
600	840	36	31	5	114	575	126.2
700	910	39.5	34.5	5	131	675	163.6
800	1025	43	38	5	148	775	228.7
900	1125	46.5	41.5	5	169	875	300.7
1000	1255	50	45	5	180	975	405.6
1100	1355	53.5	48.5	5	196	1075	509.9
1200	1485	57	52	5	212	1175	662
1400	1685	60	55	5	246	1375	994
1500	1820	62.5	57.5	5	252	1475	1201
1600	1930	65	60	5	276	1575	1409
1800	2130	70	65	5	308	1775	1858
2000	2345	75	70	5	340	1975	2407
2200	2555	81	75	6	372	2175	3097

Remark: Comply with ISO2531.

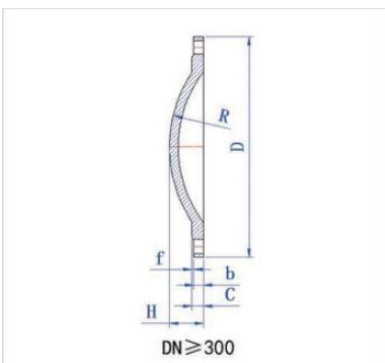
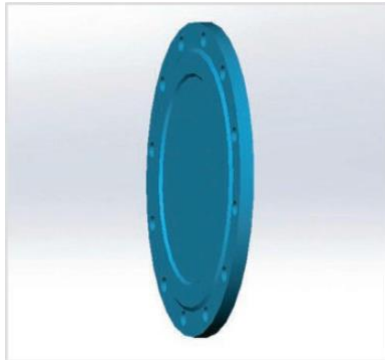
All the components can be substituted with equivalent or higher-class materials.

FITTINGS DI ref.1000B / PN 10-16-25

B lind/Blank Flange PN25



T Type



K Type

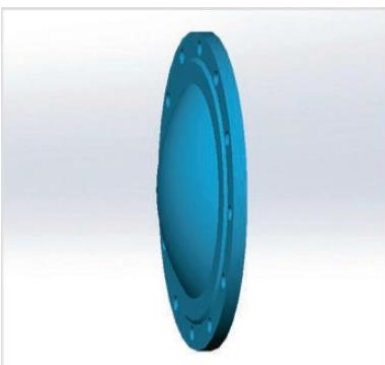


Table 40 (3) dimensions and weight

DN/mm	D/mm	C/mm	b/mm	f/mm	H/mm	R/mm	Weight (Kg)
40	150	19	16	3	/	/	2
50	165	19	16	3	/	/	2.4
60	175	19	16	3	/	/	2.7
65	185	19	16	3	/	/	3.1
80	200	19	16	3	/	/	3.5
100	235	19	16	3	/	/	4.8
125	270	19	16	3	/	/	6.2
150	300	20	17	3	/	/	8.3
200	360	22	19	3	/	/	13.2
250	425	24.5	21.5	3	/	/	20.9
300	485	27.5	23.5	4	/	/	29.9
350	555	30	26	4	75	325	45.1
400	620	32	28	4	84	375	60.5
450	670	34.5	30.5	4	93	425	76.3
500	730	36.5	32.5	4	102	475	97.4
600	845	42	37	5	120	575	150.4
700	960	46.5	41.5	5	137	675	215.9
800	1085	51	46	5	156	775	300.8
900	1185	55.5	50.5	5	178	875	398.5
1000	1320	60	55	5	190	975	535.8
1200	1530	69	64	5	224	1075	702
1400	1755	74	69	5	258	1175	1085
1600	1975	81	76	5	292	1375	1674
1800	2195	88	83	5	226	1475	2245
2000	2425	95	90	5	386	1575	2985

Remark: Comply with ISO2531.

All the components can be substituted with equivalent or higher-class materials.

FITTINGS DI ref.1000B / PN 10-16-25

Reducing Flange PN10

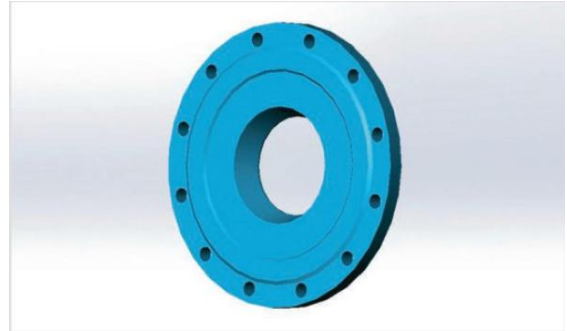
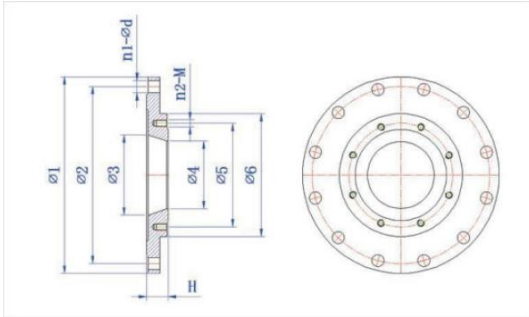


Table 41 (1) dimensions and weight

DN×dn	φ1/mm	φ2/mm	φ3/mm	φ4/mm	φ5/mm	φ6/mm	n1/mm	n2/mm	φd/mm	M/mm	H/mm	Weight (Kg)
200×80	340	295	118	84	160	200	8	8	23	16	39	13.3
200×100	340	295	144	104	180	220	8	8	23	16	39	13.2
250×80	400	350	118	84	160	200	12	8	23	16	41	19.3
250×100	400	350	148	104	180	220	12	8	23	16	41	18.9
250×150	400	350	200	154	240	285	12	8	23	20	43	18.9
300×80	455	400	118	84	160	200	12	8	23	16	44	27.2
300×100	455	400	148	104	180	220	12	8	23	16	44	26.8
300×150	455	400	200	154	240	285	12	8	23	20	44	26
300×200	455	400	250	205	295	340	12	8	23	20	45	25.2
350×80	505	460	118	84	160	200	16	8	23	16	44	33.5
350×100	505	460	148	104	180	220	16	8	23	16	44	33.1
350×150	505	460	203	155	240	285	16	8	23	20	44	32.3
350×200	505	460	250	205	295	340	16	8	23	20	44	31.1
350×250	505	460	303	254	350	400	16	12	23	20	47	32
400×80	565	515	118	84	160	200	16	8	28	16	44	41.3
400×100	565	515	148	104	180	220	16	8	28	16	44	40.8
400×150	565	515	205	155	240	285	16	8	28	20	44	40.1
400×200	565	515	270	205	295	340	16	8	28	20	45	38.4
400×250	565	515	303	254	350	400	16	12	28	20	47	39
400×300	565	515	354	309	400	455	16	12	28	20	49	38
500×80	670	620	118	84	160	200	20	8	28	16	46	62.8
500×100	670	620	148	104	180	220	20	8	28	16	46	62.4
500×150	670	620	203	155	240	285	20	8	28	20	46	61.4
500×200	670	620	250	205	295	340	20	8	28	20	47	60.3
500×250	670	620	303	254	350	400	20	12	28	20	49	59.2
500×300	670	620	354	309	400	455	20	12	28	20	51	57
500×350	670	620	409	354	460	505	20	16	28	20	51	53
500×400	670	620	464	409	515	565	20	16	28	24	51	49
600×80	780	725	118	84	160	200	24	8	31	16	49	95.6
600×100	780	725	148	104	180	220	24	8	31	16	49	95
600×150	780	725	205	155	240	285	24	8	31	20	49	93.7
600×200	780	725	250	205	295	340	24	8	31	20	50	92.3
600×250	780	725	303	254	350	400	24	12	31	20	52	90.7
600×300	780	725	354	309	400	455	24	12	31	20	55	88.2
600×350	780	725	409	354	460	505	24	16	31	20	55	84.2
600×400	780	725	464	409	515	565	24	16	31	24	55	78.3
600×450	780	725	515	455	565	615	24	20	31	24	55	72.6
800×80	1015	950	118	84	160	200	24	8	34	16	54	190
800×100	1015	950	148	104	180	220	24	8	34	16	54	189.2
800×150	1015	950	205	155	240	295	24	8	34	20	54	187.4
800×200	1015	950	250	205	295	340	24	8	34	20	55	185.5
800×250	1015	950	303	254	350	400	24	12	34	20	57	183.1
800×300	1015	950	354	309	400	455	24	12	34	20	60	179.8
800×350	1015	950	409	354	460	505	24	16	34	20	60	174.6
800×400	1015	950	464	409	515	565	24	16	34	24	60	167.7
800×450	1015	950	515	455	565	615	24	20	34	24	60	160.7
800×500	1015	950	566	508	620	670	24	20	34	24	62	154.4
800×600	1015	950	670	608	725	780	24	20	34	27	65	139

Remark: Comply with ISO2531.

All the components can be substituted with equivalent or higher-class materials.

FITTINGS DI ref.1000B / PN 10-16-25

Reducing Flange PN16

Table 41 (2) dimensions and weight

DN×dn	φ1/mm	φ2/mm	φ3/mm	φ4/mm	φ5/mm	φ6/mm	n1/mm	n2/mm	φd/mm	M/mm	H/mm	Weight (Kg)
200×80	340	295	118	84	160	200	12	8	23	16	39	13
200×100	340	295	144	104	180	220	12	8	23	16	39	13
250×80	400	355	118	84	160	200	12	8	28	16	41	18.9
250×100	400	355	148	104	180	220	12	8	28	16	41	18.6
250×150	400	355	200	154	240	285	12	8	28	20	43	18.8
300×80	455	410	118	84	160	200	12	8	28	16	44	26.8
300×100	455	410	148	104	180	220	12	8	28	16	44	26.3
300×150	455	410	200	154	240	285	12	8	28	20	44	25.9
300×200	455	410	250	205	295	340	12	12	28	20	45	24.7
350×80	520	470	118	84	160	200	16	8	28	16	45	35.4
350×100	520	470	148	104	180	220	16	8	28	16	45	34.9
350×150	520	470	203	155	240	285	16	8	28	20	45	33.9
350×200	520	470	250	205	295	340	16	12	28	20	46	32.6
350×250	520	470	303	254	355	400	16	12	28	24	48	36.5
400×80	580	525	118	84	160	200	16	8	31	16	47	46.6
400×100	580	525	148	104	180	220	16	8	31	16	47	46
400×150	580	525	205	155	240	285	16	8	31	20	47	44.8
400×200	580	525	270	205	295	340	16	12	31	20	48	42.4
400×250	580	525	303	254	355	400	16	12	31	24	50	46
400×300	580	525	354	309	410	455	16	12	31	24	52	44.5
500×80	715	650	118	84	160	200	20	8	34	16	50	83.4
500×100	715	650	148	104	180	220	20	8	34	16	50	82.7
500×150	715	650	203	155	240	285	20	8	34	20	50	81.3
500×200	715	650	250	205	295	340	20	12	34	20	50	79
500×250	715	650	303	254	350	400	20	12	34	24	52	77.1
500×300	715	650	354	309	400	455	20	12	34	24	56	74.7
500×350	715	650	409	354	470	520	20	16	34	24	58	73.1
500×400	715	650	464	409	525	580	20	16	34	27	60	69.6
600×80	840	770	118	84	160	200	20	8	37	16	55	131.6
600×100	840	770	148	104	180	220	20	8	37	16	55	130.7
600×150	840	770	205	155	240	285	20	8	37	20	55	128.9
600×200	840	770	250	205	295	340	20	12	37	20	56	126.6
600×250	840	770	303	254	355	400	20	12	37	24	58	124.1
600×300	840	770	354	309	410	455	20	12	37	24	60	119.9
600×350	840	770	409	354	470	520	20	16	37	24	62	117.5
600×400	840	770	464	409	525	580	20	16	37	27	64	112.6
600×450	1025	770	515	455	585	640	20	20	37	27	66	109.7
800×80	1025	950	118	84	160	200	24	8	40	16	62	236
800×100	1025	950	148	104	180	220	24	8	40	16	62	235
800×150	1025	950	205	155	240	295	24	8	40	20	62	233
800×200	1025	950	250	205	295	340	24	12	40	20	63	229.3
800×250	1025	950	303	254	355	400	24	12	40	24	65	225.8
800×300	1025	950	354	309	410	455	24	12	40	24	67	220.5
800×350	1025	950	409	354	470	520	24	16	40	24	68	215.8
800×400	1025	950	464	409	525	580	24	16	40	27	70	209.1
800×450	1025	950	545	455	585	640	24	20	40	27	73	205.6
800×500	1025	950	566	508	650	715	24	20	40	30	74	200.9
800×600	1025	950	670	608	770	840	24	20	40	33	79	191.1

Remark: Comply with ISO2531.

All the components can be substituted with equivalent or higher-class materials.

DAVINCI VALVES LTD, is constantly looking at all ways of improving our products and services related to the water, fire and industry sector and therefore we reserve the right to change, without prior notice, any of the data contained here. Please contact our Technical Sales Department for detailed advice. © 2018 DAVINCI VALVES LTD.
www.davincivalves.com info@davincivalves.com +34 616553797 / +86 17340168233
 18 Dongyu Street, Square One 11th Floor 1101. Jinjiang District, Chengdu, Sichuan Province, China

FITTINGS DI ref.1000B / PN 10-16-25

Reducing Flange PN25

Table 41 (3) dimensions and weight

DN×dn	φ1/mm	φ2/mm	φ3/mm	φ4/mm	φ5/mm	φ6/mm	n1/mm	n2/mm	φd/mm	M/mm	H/mm	Weight (Kg)
200×80	360	310	118	84	160	200	12	8	28	16	41	15.3
200×100	360	310	144	104	190	235	12	8	28	20	41	16.8
250×80	425	370	118	84	160	200	12	8	31	16	43	23.1
250×100	425	370	148	104	190	235	12	8	31	20	43	23.2
250×150	425	370	200	154	250	300	12	8	31	24	44	22.9
300×80	485	430	118	84	160	200	16	8	31	16	46	33
300×100	485	430	148	104	190	235	16	8	31	20	46	33.3
300×150	485	430	200	154	250	300	16	8	31	24	47	32.5
300×200	485	430	250	205	310	360	16	12	31	24	50	32.3
350×80	555	490	118	84	160	200	16	8	34	16	49	47.2
350×100	555	490	148	104	190	235	16	8	34	20	49	47
350×150	555	490	203	155	250	300	16	8	34	24	50	46.2
350×200	555	490	250	205	310	360	16	12	34	24	52	45.6
350×250	555	490	303	254	370	425	16	12	34	27	54	48.5
400×80	620	550	118	84	160	200	16	8	37	16	51	62.7
400×100	620	550	148	104	190	235	16	8	37	20	51	62.5
400×150	620	550	205	155	250	300	16	8	37	24	52	61.7
400×200	620	550	270	205	310	360	16	12	37	24	54	60.2
400×250	620	550	303	254	370	425	16	12	37	27	56	61
400×300	620	550	354	309	430	485	16	16	37	27	60	60
500×80	730	660	118	84	160	200	20	8	37	16	55	99.9
500×100	730	660	148	104	190	235	20	8	37	20	55	99.4
500×150	730	660	203	155	250	300	20	8	37	24	56	97.9
500×200	730	660	250	205	310	360	20	12	37	24	58	96.6
500×250	730	660	303	254	370	425	20	12	37	27	61	95.5
500×300	730	660	354	309	430	485	20	16	37	27	64	93
500×350	730	660	409	354	490	555	20	16	37	30	66	92.5
500×400	730	660	464	409	550	620	20	16	37	33	68	90.1
600×80	845	770	118	84	160	200	20	8	40	16	61	154.5
600×100	845	770	148	104	190	235	20	8	40	20	61	154
600×150	845	770	205	155	250	300	20	8	40	24	62	152
600×200	845	770	250	205	310	360	20	12	40	24	64	150.2
600×250	845	770	303	254	370	425	20	12	40	27	66	147.9
600×300	845	770	354	309	430	485	20	16	40	27	70	144.9
600×350	845	770	409	354	490	555	20	16	40	30	72	143.4
600×400	845	770	464	409	550	620	20	16	40	33	74	139.5
600×450	845	770	515	455	600	670	20	20	40	33	76	136.1
800×80	1085	990	118	84	160	200	24	8	49	16	70	309.4
800×100	1085	990	148	104	190	235	24	8	49	20	70	308.4
800×150	1085	990	205	155	250	300	24	8	49	24	71	305.5
800×200	1085	990	250	205	310	360	24	12	49	24	73	302.6
800×250	1085	990	303	254	370	425	24	12	49	27	75	298.6
800×300	1085	990	354	309	430	485	24	12	49	27	78	293.8
800×350	1085	990	409	354	490	555	24	16	49	30	81	291.2
800×400	1085	990	464	409	550	620	24	16	49	33	83	284.9
800×450	1085	990	515	455	600	670	24	20	49	33	85	277.4
800×500	1085	990	566	508	660	730	24	20	49	33	87	270.6
800×600	1085	990	670	608	770	845	24	20	49	36	93	258

Remark: Comply with ISO2531.

All the components can be substituted with equivalent or higher-class materials.

FITTINGS DI ref.1000B / PN 10-16-25

A II flanged tee with radial branch

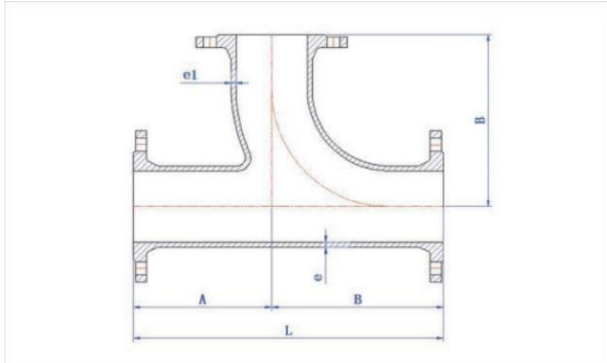


Table 42 dimensions and weight

DN×dn	e	e1	L	A	B	Weight (Kg) PN16
80×80	8.1	8.1	545	165	330	23
100×100	8.4	8.4	580	180	340	29.5
150×150	9.1	9.1	670	220	385	47.9
200×200	9.8	9.8	760	250	430	71.6
250×250	10.5	10.5	900	350	475	104.8
300×300	11.2	11.2	1000	400	515	144.5
350×350	11.9	11.9	1100	450	560	203.4
400×400	12.6	12.6	1200	500	605	263.1
450×450	13.3	13.3	1300	550	650	332
500×500	14	14	1400	600	690	421.9
600×600	15.4	15.4	1500	700	780	623.7

All the components can be substituted with equivalent or higher-class materials.

DAVINCI VALVES LTD, is constantly looking at all ways of improving our products and services related to the water, fire and industry sector and therefore we reserve the right to change, without prior notice, any of the data contained here. Please contact our Technical Sales Department for detailed advice. © 2018 DAVINCI VALVES LTD.
www.davincivalves.com info@davincivalves.com +34 616553797 / +86 17340168233
 18 Dongyu Street, Square One 11th Floor 1101. Jinjiang District, Chengdu, Sichuan Province, China

FITTINGS DI ref.1000B / PN 10-16-25

A II-flanged "Y" tee

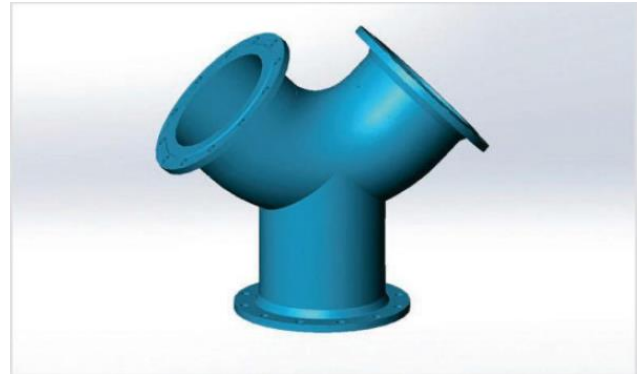
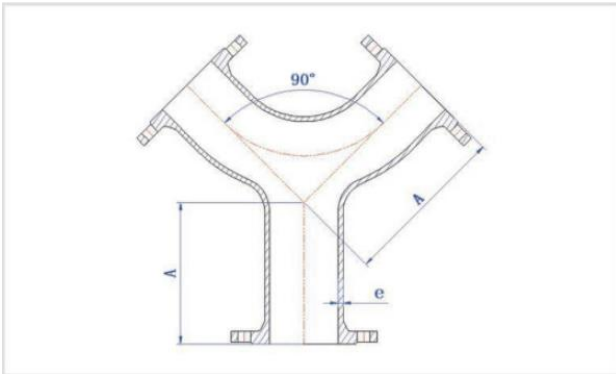


Table 43 dimensions and weight

DN×dn	e	e1	A	Weight (Kg) PN16
80×80	8.1	8.1	165	15.6
100×100	8.4	8.4	180	19.3
150×150	9.1	9.1	220	31.9
200×200	9.8	9.8	260	48.1
250×250	10.5	10.5	350	79.8
300×300	11.2	11.2	400	113.5
350×350	11.9	11.9	450	165.4
400×400	12.6	12.6	500	219.1
450×450	13.3	13.3	550	280
500×500	14	14	600	363.9
600×600	15.4	15.4	700	562.7

All the components can be substituted with equivalent or higher-class materials.

FITTINGS DI ref.1000B / PN 10-16-25

Bolts and Nuts for Flange Connection

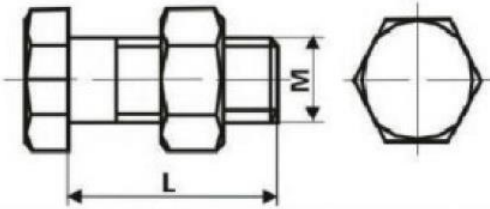


Table 46 dimensions and weight

DN	PN10		PN16		PN25		PN40	
	M×L	Unit	M×L	Unit	M×L	Unit	M×L	Unit
80	M16×65	8	M16×65	8	M16×65	8	M16×65	8
100	M16×65	8	M16×65	8	M20×70	8	M20×70	8
125	M16×65	8	M16×65	8	M24×80	8	M24×80	8
150	M20×70	8	M20×70	8	M24×80	8	M24×90	8
200	M20×70	8	M20×70	12	M24×80	12	M27×100	12
250	M20×80	12	M24×85	12	M27×90	12	M30×110	12
300	M20×80	12	M24×85	12	M27×90	16	M30×120	16
350	M20×80	16	M24×85	16	M30×110	16	M33×130	16
400	M24×85	16	M27×100	16	M33×120	16	M36×140	16
450	M24×85	20	M27×100	20	M33×120	20	M36×150	20
500	M24×85	20	M30×110	20	M33×120	20	M39×150	20
600	M27×100	20	M33×120	20	M36×140	20	M45×170	20
700	M27×100	24	M33×120	24	M39×140	24	/	/
800	M30×110	24	M36×140	24	M45×160	24	/	/
900	M30×120	28	M36×140	28	M45×170	28	/	/
1000	M33×130	28	M39×150	28	M52×180	28	/	/
1100	M33×130	32	M39×160	32	M52×180	32	/	/
1200	M36×140	32	M45×170	32	M52×200	32	/	/
1400	M39×150	36	M45×180	36	M56×220	36	/	/
1500	M39×150	36	M52×190	36	M56×230	36	/	/
1600	M45×160	40	M52×190	40	M56×230	40	/	/
1800	M45×160	44	M52×200	44	M64×260	44	/	/
2000	M45×170	48	M56×230	48	M64×270	48	/	/
2200	M52×190	52	M56×240	52	/	/	/	/
2400	M52×200	56	M56×240	56	/	/	/	/
2600	M52×200	60	M56×250	60	/	/	/	/

All the components can be substituted with equivalent or higher-class materials.

"For professionals who wants more"



DAVINCI
VALVES™