

BI-DIRECTIONAL SEAL KNIFE GATE VALVE

ref.820A / PN 10-16



MODEL: 820A

WORKING PRESSURE:

DN50-DN100 16Bar DN125-DN200 14Bar
 DN250-DN300 12Bar DN350-DN400 10Bar
 DN450-DN550 8Bar DN600-DN650 5Bar
 DN700-DN750 4Bar DN800-DN900 3Bar
 DN1000 2Bar

STANDARDS:

Type: Wafer
 Design: MSS SP-81
 Flange Standard: BS PN10/PN16
 Face to Face: MSS SP-81
 Testing Standard: API-598
 Operation: handwheel, gear box, electric, pneumatic, hydraulic, sprocket

GENERAL CHARACTERISTICS:

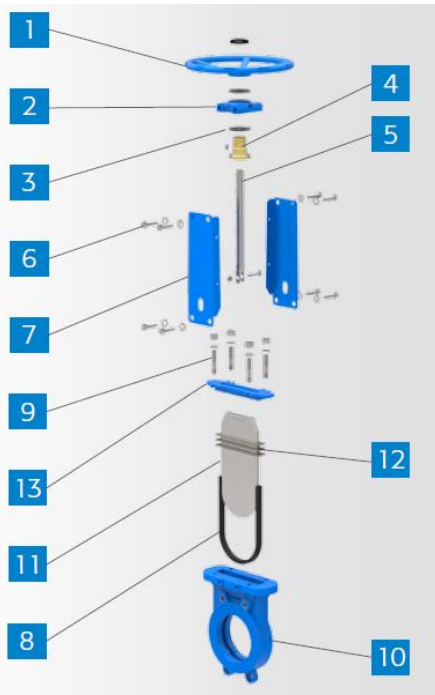
Main Material: GGG40
 Wedge Material: SS316L, SS304
 Sealing Material: EPDM
 Packing: Aramid fiber, high-water-based rubber packing graphite wheel
 Applicable medium: Applicable for coal in power plant, slag discharge, sewage treatment, food, paper making, medicine, petroleum and chemical industry, water, Oil, steam, connecting or cutting grout, gold powder, ores, slag, coal, pulp, wood pulp, tailings, fibers, dust, chemicals, sewage treatment, sedimentation tanks, asphalt, bunker export, fruit juices, cereals, slaughter plant waste and other media.

FEATURES:

- ✚ Bi-directional seal
- ✚ 1PC Body design
- ✚ Full port design
- ✚ Reduce Fluid retention in valve body
- ✚ 2PC Strong yoke design
- ✚ Mixed with a variety of materials packing

PRODUCT DESCRIPTION:

820A Series No groove bi-directional seal knife gate valve, cast iron body with the overall structure knife gate valve, including valve' body, gate, and U-shaped flexible seal at the bottom of the body with grooves. When the valve is closed, the bottom of the gate edge contact with the seal and then compress the seal into the groove in the body and sealed gate realization; when the gate opens, separate gate from the bottom edge of the seal, seal will bounce to same level as groove, which will prevent the media sediment accumulated in the body cavity of the groove, no clogging, no residue, pipe easy to clean, so as to effectively improve the sealing effect knife gate valve to prevent leakage when the valve is closed.



No.	Part	Material	QTY
1	Hand Wheel	GGG40	1
2	Yoke Head	GGG40	1
3	Bearing	Gcr15	2
4	Stem nut	Brass	1
5	Stem	2Cr13/SS304/SS316	1
6	Bolt&Nut	SS201/SS304	N
7	Yoke	Q235	2
8	Seat	EPDM	1
9	Bolt&Nut	Fe+Zn/SS304	N
10	Body	GGG40	1
11	Disc	SS304/SS316L	1
12	Pcking	PTFE	3-5
13	Packing Gland	WCB	1

All the components can be substituted with equivalent or higher-class materials.

DAVINCI VALVES LTD, is constantly looking at all ways of improving our products and services related to the water, fire and industry sector and therefore we reserve the right to change, without prior notice, any of the data contained here. Please contact our Technical Sales Department for detailed advice.

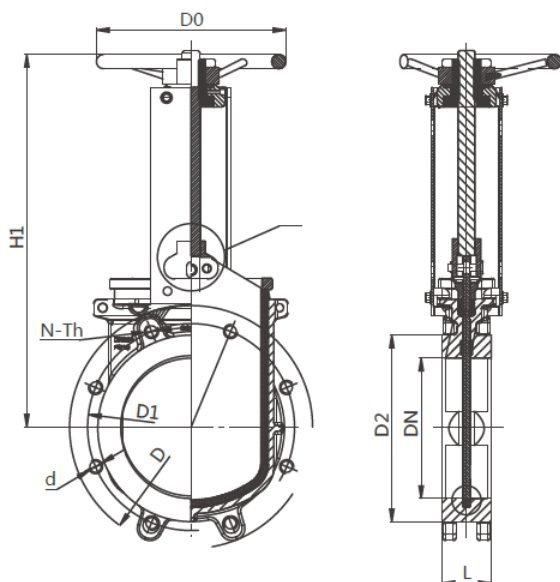
© 2018 DAVINCI VALVES LTD.

www.davincivalves.com info@davincivalves.com +34 616553797 / +86 17340168233

BI-DIRECTIONAL SEAL KNIFE GATE VALVE

ref.820A / PN 10-16

DIMENSION



PN10									
DN	L	D	D1	D2	D0	N-Th	d(φ)	H1	
50	48	165	125	99	180	4-M16	18	260	
65	48	185	145	118	200	4-M16	18	330	
80	51	200	160	132	200	8-M16	18	358	
100	51	220	180	156	240	8-M16	18	378	
125	57	250	210	184	260	8-M16	18	428	
150	57	285	240	211	280	8-M20	23	490	
175	57	305	265	237	280	12-M20	23	553	
200	70	340	295	266	300	8-M20	23	588	
250	70	395	350	319	320	12-M20	23	690	
300	76	445	400	370	350	12-M20	23	815	
350	76	505	460	429	400	16-M20	23	890	
400	89	565	515	480	450	16-M24	27	980	
450	89	615	565	530	500	20-M24	27	1025	
500	114	670	620	582	500	20-M24	27	1230	
550	114	725	680	638		20-M27	30	1344	
600	114	780	725	682		20-M27	30	1390	
700	127	895	840	794		24-M27	30	1720	
800	127	1015	950	901		24-M30	33	1862	
900	127	1115	1050	1001		28-M30	33	1910	
1000	149	1230	1160	1112		28-M33	36	Gear	
1100	149	1340	1260	1220		28-M33	36	Gear	
1200	156	1455	1380	1328		32-M36	39	Gear	

ANSI 150LB

DN	L	D	D1	D2	D0	N-Th	d(φ)	H1	
2"	48	152	121	92	180	4-5/8"	19	260	
2-1/2"	48	178	140	105	200	4-5/8"	19	292	
3"	51	191	153	127	200	4-5/8"	19	320	
4"	51	229	191	157	240	8-5/8"	19	358	
5"	57	254	216	186	260	8-3/4"	22	395	
6"	57	279	242	216	280	8-3/4"	22	450	
8"	70	343	299	270	300	8-3/4"	22	532	
10"	70	406	362	324	320	12-7/8"	25	670	
12"	76	483	432	381	350	12-7/8"	25	758	
14"	76	533	476	413	400	12-1"	29	857	
16"	89	597	540	470	450	16-1"	29	946	
18"	86	635	578	533	500	16-1 1/8"	32	1023	
20"	114	699	635	584	500	20-1 1/8"	32	Gear	
22"	114	750	692	641		20-1 1/4"	35	Gear	
24"	114	813	750	691		24-1 1/4"	35	Gear	
26"	114	870	806	749		28-1 1/4"	35	Gear	
28"	127	927	864	800		28-1 1/4"	35	Gear	
30"	127	985	914	857		28-1 1/2"	41	Gear	
32"	127	1060	978	914		32-1 1/2"	41	Gear	
34"	127	1110	1029	965		32-1 1/2"	41	Gear	
36"	127	1170	1086	1022		32-1 1/2"	41	Gear	
38"	149	1240	1149	1073		36-1 1/2"	41	Gear	
40"	149	1290	1200	1124		36-1 1/2"	41	Gear	
42"	149	1345	1257	1194		40-1 1/2"	41	Gear	
44"	149	1405	1314	1245		40-1 1/2"	41	Gear	
46"	149	1455	1365	1295		44-1 1/2"	41	Gear	
48"	156	1510	1422	1359		44-1 3/4"	41	Gear	
50"	156	1570	1480	1410		44-1 3/4"	51	Gear	
52"	156	1625	1537	1461		44-1 3/4"	51	Gear	
54"	171	1685	1594	1511		44-1 3/4"	51	Gear	
56"	171	1745	1651	1575		48-1 3/4"	51	Gear	

All the components can be substituted with equivalent or higher-class materials.

DAVINCI VALVES LTD, is constantly looking at all ways of improving our products and services related to the water, fire and industry sector and therefore we reserve the right to change, without prior notice, any of the data contained here. Please contact our Technical Sales Department for detailed advice.

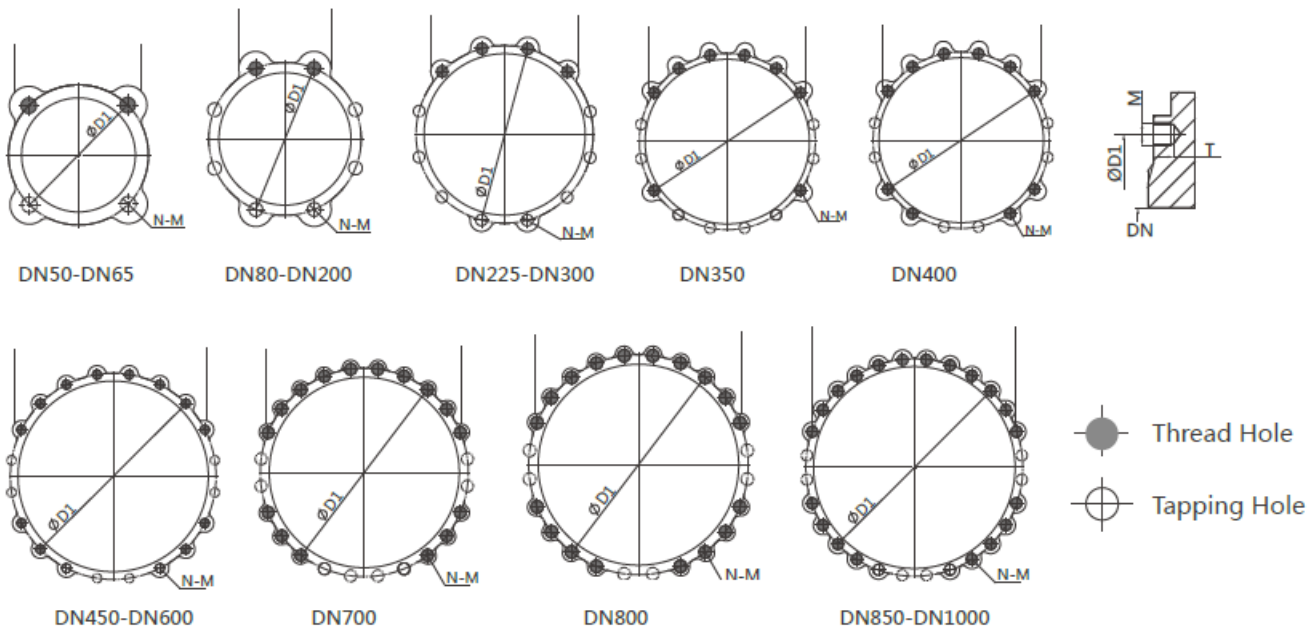
© 2018 DAVINCI VALVES LTD.

www.davincivalves.com info@davincivalves.com +34 616553797 / +86 17340168233

BI-DIRECTIONAL SEAL KNIFE GATE VALVE

ref.820A / PN 10-16

PN10 Threaded Hole and Tapping Hole



PN10						
DN	D1	N	M	T	Thread Hole	Tapping Hole
50	125	4	16	13	2	2
65	145	4	16	13	2	2
80	160	8	16	13	2	6
100	180	8	16	13	2	6
125	210	8	16	16	2	6
150	240	8	16	16	2	6
200	295	8	16	20	2	6
225	310	12	20	20	4	8
250	350	12	20	20	4	8
300	400	12	20	20	4	8
350	460	16	20	20	8	6
400	515	16	24	24	10	8
450	565	20	24	24	12	8
500	620	20	24	24	12	8
550	680	20	27	24	12	8
600	725	20	27	27	12	8
700	840	24	27	27	16	8
800	950	24	30	30	18	6
900	1050	28	30	30	20	8
1000	1160	28	33	33	20	8

All the components can be substituted with equivalent or higher-class materials.

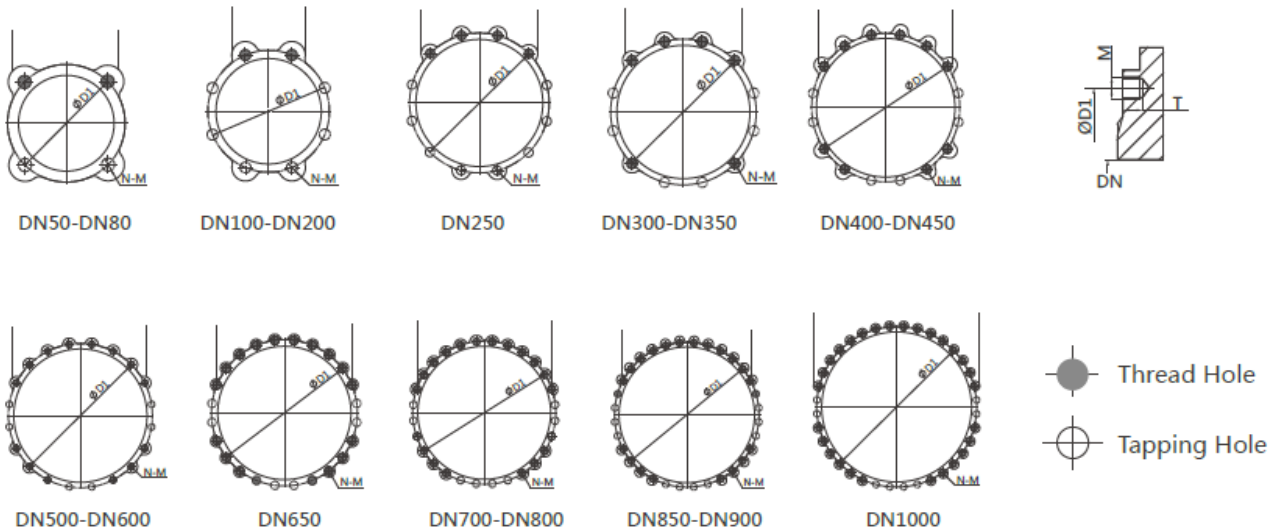
DAVINCI VALVES LTD, is constantly looking at all ways of improving our products and services related to the water, fire and industry sector and therefore we reserve the right to change, without prior notice, any of the data contained here. Please contact our Technical Sales Department for detailed advice.
 © 2018 DAVINCI VALVES LTD.

www.davincivalves.com info@davincivalves.com +34 616553797 / +86 17340168233

BI-DIRECTIONAL SEAL KNIFE GATE VALVE

ref.820A / PN 10-16

150LB Threaded Hole and Tapping Hole



ANSI 150LB						
DN	D1	N	M	T	Thread Hole	Tapping Hole
2"	121	4	M5/8-11	13	2	2
2-1/2"	140	4	M5/8-11	13	2	2
3"	153	4	M5/8-11	13	2	2
4"	191	8	M5/8-11	13	2	6
5"	216	8	M3/4-10	16	2	6
6"	242	8	M3/4-10	16	2	6
8"	299	8	M3/4-10	20	2	6
10"	362	12	M7/8-9	20	4	8
12"	432	12	M7/8-9	20	6	6
14"	476	12	M1-8	20	6	6
16"	540	16	M1-8	24	10	6
18"	578	16	M1 1/8-7	24	10	6
20"	635	20	M1 1/8-7	24	14	6
22"	692	20	M1 1/4-7	24	14	6
24"	750	20	M1 1/4-7	27	14	6
26"	806	24	M1 1/4-7	27	18	6
28"	864	28	M1 1/4-7	27	18	6
30"	914	28	M1 1/4-7	27	18	10
32"	978	28	M1 1/2-6	30	18	10
34"	1029	32	M1 1/2-6	30	22	10
36"	1086	32	M1 1/2-6	30	22	10
40"	1200	36	M1 1/2-6	33	28	8

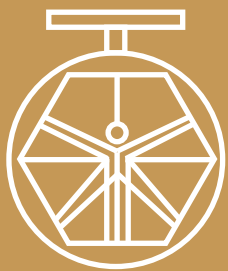
All the components can be substituted with equivalent or higher-class materials.

DAVINCI VALVES LTD, is constantly looking at all ways of improving our products and services related to the water, fire and industry sector and therefore we reserve the right to change, without prior notice, any of the data contained here. Please contact our Technical Sales Department for detailed advice.

© 2018 DAVINCI VALVES LTD.

www.davincivalves.com info@davincivalves.com +34 616553797 / +86 17340168233

"For professionals who wants more"



DAVINCI
VALVES™

www.davincivalves.com