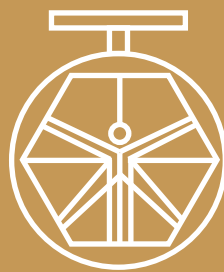


**GROUP 600
ACCESSORIES
MOD.
625A/76.1**



**DAVINCI
VALVES™**

**TECHNICAL
DATA SHEET
WATER Series**

DEDICATED FLANGE ADAPTOR PN10/PN16

**DAVINCI
VALVES™**



**QUALITY
ASSUREMENT**

**DAVINCI
VALVES™**



**PRODUCT QT
ASSUREMENT**

**DAVINCI
VALVES™**



**COMPANY QT
ASSUREMENT**

www.davincivalves.com

18 Dongyu Street, Square One,
11th Floor 1101, Jinjiang District,
Chengdu, Sichuan CHINA

10F/Tower A, Billion Center,
1 Wang Kwong Road, Kowloon Bay
Kowloon HONG KONG

DEDICATED FLANGE ADAPTOR PN10/PN16 Ref.625A

APPLICATION:

Water, HVAC installations, irrigation, industry, others

WORKING CONDITIONS:

Working Temperature:

- 10 °C - + 120 °C. for EPDM

- 10 °C - + 82 °C. for NBR

STANDARDS:

Comply with EN545

Pressure Test: EN 12266-1.

Body: 16 bar.

Flange EN1092-2 PN10/PN16



GENERAL CHARACTERISTICS:

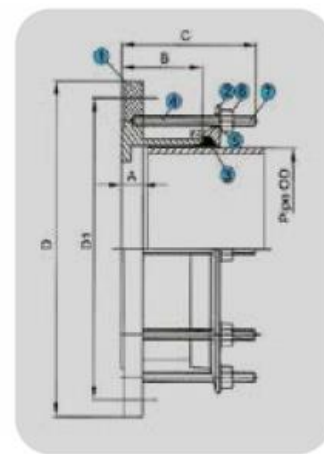
Size DN40 to DN2000,

working pressure PN10/PN16

Powder Epoxy Cured coating 250 Mic

Options: Grade 4.8/6.8/8.8 carbon steel bolts with galvanization/dacromet/ Teflon etc. Stainless Steel SS304/SS316/SS316L/A2/A4 etc bolts FBE coating and Nylon 11 coating is available

No.	Part	Material
1	Body	Ductile iron
2	End ring	Ductile iron
3	Gasket	EPDM
4	Bolt	Gal.steel
5	Washer	Gal.steel
6	Nut	Gal.steel
7	Cap	Plastic



Size	Pipe OD	B	C	A	PN10 Flange Drilling			PN16 Flange Drilling			Bolts No.	Bolts Size (MxL)
					D	D1	N-d	D	D1	N-d		
40	56	73	105	19	150	110	4-19	150	110	4-19	4	12*100
50	66	73	105	19	165	125	4-19	165	125	4-19	4	12*100
60	77	73	105	19	175	135	4-19	175	135	4-19	4	12*100
65	82	73	105	19	185	145	4-19	185	145	4-19	4	12*100
80	98	73	105	19	200	160	8-19	200	160	8-19	4	12*100
100	118	73	105	19	220	180	8-19	220	180	8-19	4	12*100
125	144	76	115	19	250	210	8-19	250	210	8-19	4	12*110
150	170	76	115	19	285	240	8-23	285	240	8-23	4	12*110
200	222	76	115	20	340	295	8-23	340	395	12-23	4	12*120
250	274	90	130	22	400	350	12-23	400	355	12-28	6	12*120
300	326	90	130	24.5	455	400	12-23	455	410	12-28	6	12*120
350	378	110	180	24.5	505	460	16-23	520	470	16-28	8	16*170
400	429	110	190	24.5	565	515	16-28	580	525	16-31	8	16*170
450	480	110	190	24.5	615	565	20-28	640	585	20-31	10	16*170
500	532	115	190	24.5	670	620	20-28	715	650	20-34	10	16*180
600	635	115	190	26.5	780	725	20-31	840	770	20-37	10	16*180
700	738	115	190	32.5	895	840	24-31	910	840	24-37	12	16*180
800	842	115	190	35	1015	950	24-34	1025	950	24-40	12	16*180
900	942	120	190	37.5	1115	1050	28-34	1125	1050	28-40	14	16*180
1000	1048	120	190	40	1230	1160	28-37	1255	1170	28-43	14	16*180
1200	1255	130	190	45	1455	1380	32-40	1485	1390	32-49	16	16*180
1400	1462	130	190	46	1675	1590	36-43	1685	1590	36-49	18	20*200
1600	1668	190	275	49	1915	1820	40-49	1930	1820	40-56	20	20*240
1800	1875	190	275	52	2115	2020	44-49	2130	2020	44-56	22	20*240
2000	2082	190	275	55	2325	2230	48-49	2345	2230	48-62	24	20*240

All the components can be substituted with equivalent or higher-class materials.

DAVINCI VALVES LTD, is constantly looking at all ways of improving our products and services related to the water, fire and industry sector and therefore we reserve the right to change, without prior notice, any of the data contained here. Please contact our Technical Sales Department for detailed advice.

© 2018 DAVINCI VALVES LTD.

www.davincivalves.com info@davincivalves.com +34 616553797 / +86 17340168233

18 Dongyu Street, Square One 11th Floor 1101. Jinjiang District, Chengdu, Sichuan Province, China

"For professionals who wants more"



DAVINCI
VALVES™